

# Series Swisstac – 55

## Characteristics

The modular 16 mm Swisstac Series is particularly suited for:

- Raised design
- PCB mounting

The modular design of this series caters to a broad range of applications and combinations.

## Functions

The series incorporates the following functions:

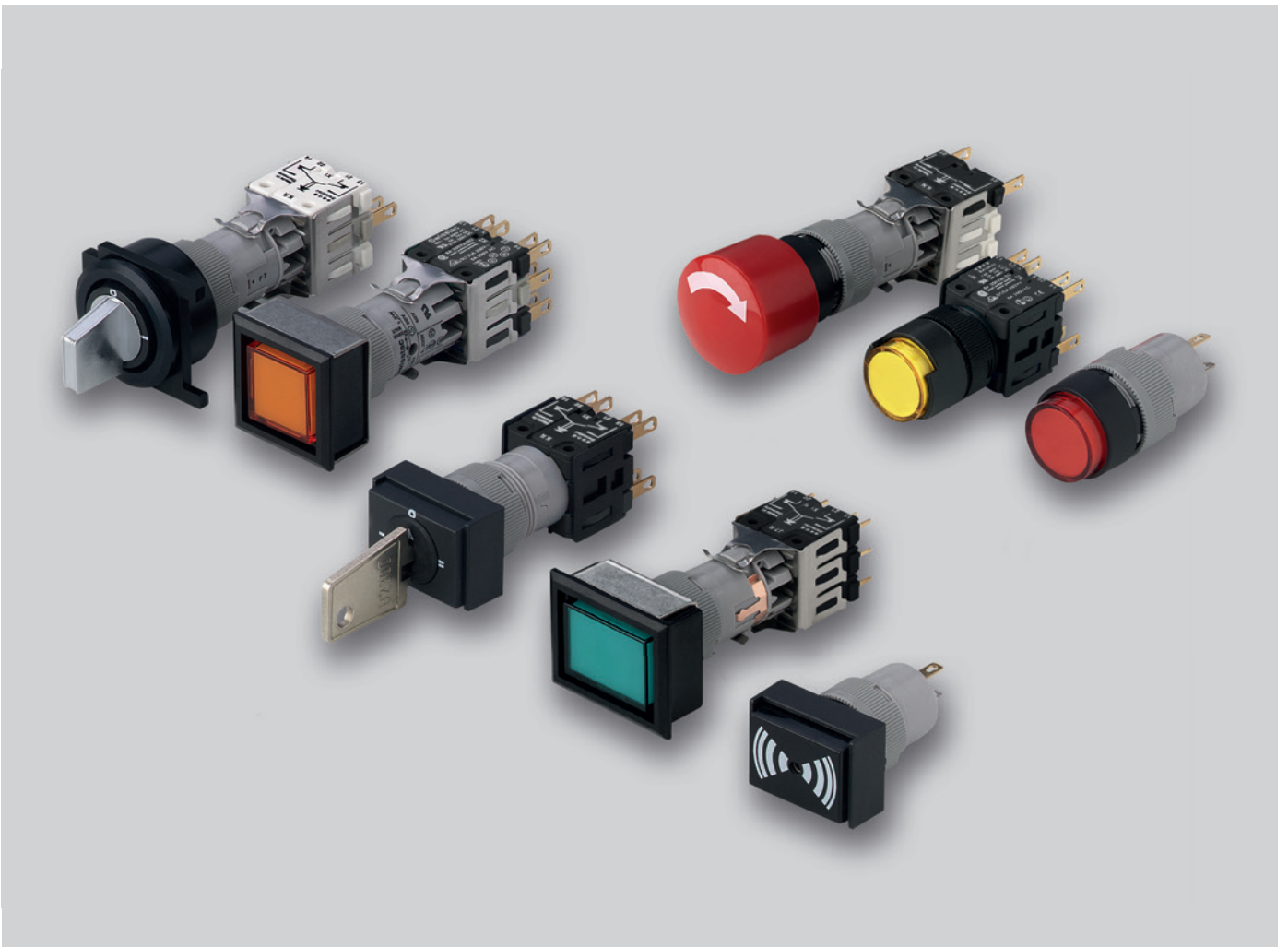
- Indicator
- Pushbutton
- Illuminated pushbutton
- E-STOP switch
- Stop switch
- Mushroom-head pushbutton
- Keylock switch
- Selector switch
- Buzzer

## Market segments

The EAO Series Swisstac is especially suited for applications in the segments:

- Public transportation
- Machinery and Automation
- Construction machines and special-purpose vehicles
- Lifting and moving
- Panel building

Please refer to the EAO website to obtain detailed information regarding this series [www.products.eao.com](http://www.products.eao.com)  
Configure a product to your exact needs and request a quotation.





**Overview****Raised design**

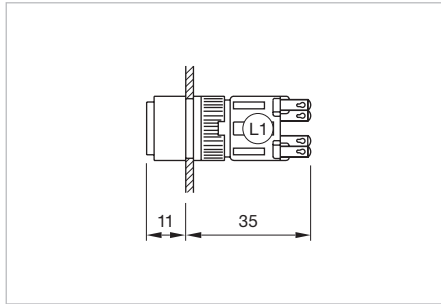
Indicator	4
Buzzer	10
Illuminated pushbutton	12
Emergency-stop switch	24
Stop switch	25
Mushroom-head pushbutton	27
Keylock switch	33
Selector switch	58
Illuminated push-pull button	78

**Accessories****77****Drawings****105****Technical data****106****Marking****112****Application guidelines****113****Index****116**

## Indicator



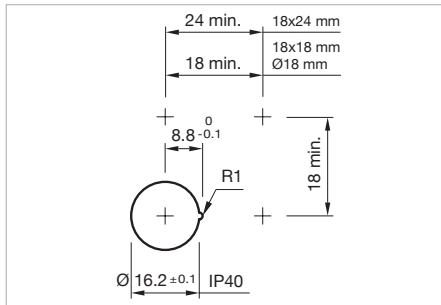
Product can differ from the current configuration.



Dimensions [mm]  
L1 = Solder terminal 2.8 x 0.5 mm

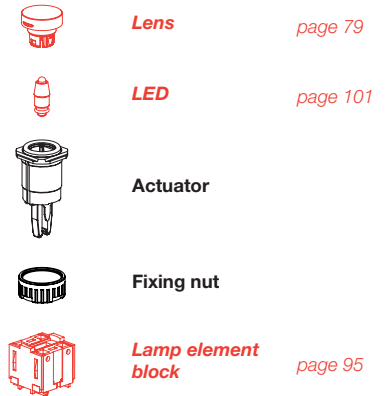
### Additional Information

- For the flush design please order the additional front bezel set, see chapter «Accessories»
- With IP 65 no anti-rotation device can be placed within the mounting cut-out. For rear-side mounting of the anti-rotation device, please see chapter «Accessories», Part No. 260-0020-00 or 260-0021-00






Mounting cut-outs [mm]

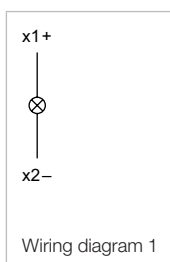
### Equipment consisting of (schematic overview)



Each Part Number listed below includes all the black components shown in the 3D-drawing.







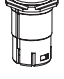

*To obtain a complete unit, please select the red components from the pages shown.*

Front protection	Behind panel depth	Lamp socket	Part No.	Wiring diagram	Weight
 <p><b>Indicator actuator, Front dimension 18 x 18 mm</b></p>					
IP 40	35 mm	T1 ¼ MG	<b>690-4000-00</b>	1	0.004 kg
IP 65	35 mm	T1 ¼ MG	<b>690-4000-W0</b>	1	0.005 kg
 <p><b>Indicator actuator, Front dimension 18 x 24 mm</b></p>					
IP 40	35 mm	T1 ¼ MG	<b>690-6000-00</b>	1	0.004 kg
IP 65	35 mm	T1 ¼ MG	<b>690-6000-W0</b>	1	0.005 kg
 <p><b>Indicator actuator, Front dimension Ø 18 mm</b></p>					
IP 40	35 mm	T1 ¼ MG	<b>690-2000-00</b>	1	0.004 kg
IP 65	35 mm	T1 ¼ MG	<b>690-2000-W0</b>	1	0.005 kg



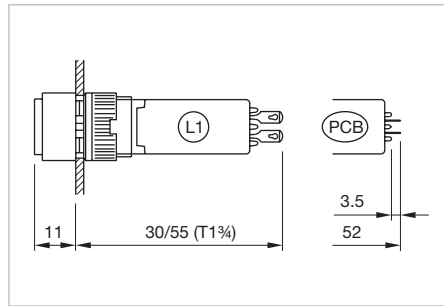
Indicator square 24 x 24 mm

Equipment consisting of (schematic overview)

-  **Lens** page 80
-  **Pressure ring** page 88
-  **Sealing bulb** page 88
-  **Sealing ring** page 88
-  **Front bezel** page 88
-  **LED** page 101
-  **Actuator**
-  **Fixing nut**

Each Part Number listed below includes all the black components shown in the 3D-drawing.

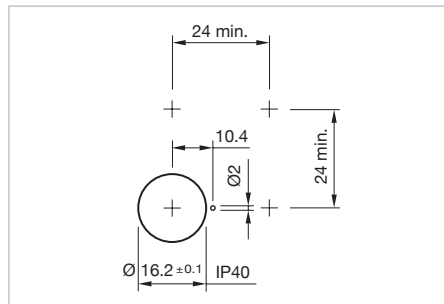
To obtain a complete unit, please select the red components from the pages shown.



Dimensions [mm]  
L1 = Solder terminal 2.8 x 0.5 mm,  
PCB = Print terminal




Product can differ from the current configuration.

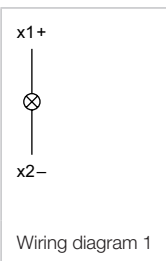


Mounting cut-outs [mm]

**Additional Information**

- With IP 65 no anti-rotation device can be placed within the mounting cut-out. For rear-side mounting of the anti-rotation device, please see chapter «Accessories», Part No. 260-0020-00 or 260-0021-00
- Protection degree IP 40/IP 65 is determined by front bezel and lens

Behind panel depth	Terminal	Lamp socket	Part No.	Wiring diagram	Weight
 <b>Indicator actuator square, flush design, Front dimension 24 x 24 mm</b>					
30 mm	Solder 2.8 x 0.5 mm	T1 3/4 MG	<b>990-.000-K0</b>	1	0.004 kg
52 mm	PCB	T1 3/4 MG	<b>990-.000-0P</b>	1	0.007 kg
55 mm	Solder 2.8 x 0.5 mm	T1 3/4 MG	<b>990-.000-00</b>	1	0.007 kg

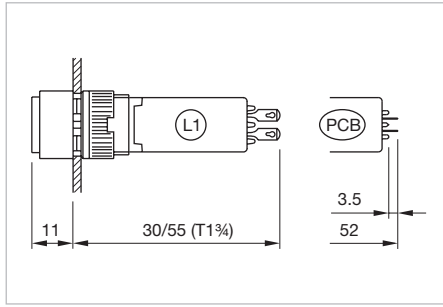


# 55 Raised design

## Indicator square 18 x 18 mm



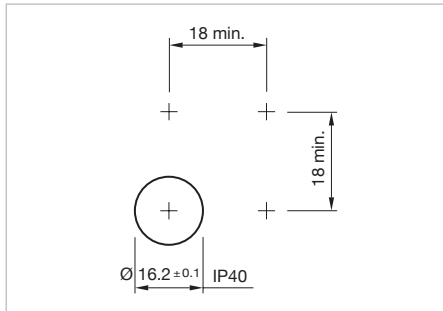
Product can differ from the current configuration.



Dimensions [mm]  
L1 = Solder terminal 2.8 x 0.5 mm,  
PCB = Print terminal




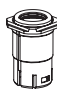

### Additional Information

- For the flush design please order the additional front bezel set, see chapter «Accessories»
- Protection degree IP 40/IP 65 is determined by front bezel and lens




Mounting cut-outs [mm]

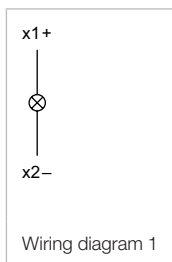
### Equipment consisting of (schematic overview)

	<b>Lens</b>	page 80
	<b>Front bezel</b>	page 88
	<b>LED</b>	page 101
	<b>Actuator</b>	
	<b>Fixing nut</b>	

Each Part Number listed below includes all the black components shown in the 3D-drawing.




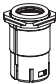

*To obtain a complete unit, please select the red components from the pages shown.*

Behind panel depth	Terminal	Lamp socket	Part No.	Wiring diagram	Weight
 <b>Indicator actuator square, flush design, Front dimension 18 x 18 mm</b>					
30 mm	Solder 2.8 x 0.5 mm	T1 3/4 MG	<b>990-.000-K0</b>	1	0.004 kg
52 mm	PCB	T1 3/4 MG	<b>990-.000-0P</b>	1	0.007 kg
55 mm	Solder 2.8 x 0.5 mm	T1 3/4 MG	<b>990-.000-00</b>	1	0.007 kg



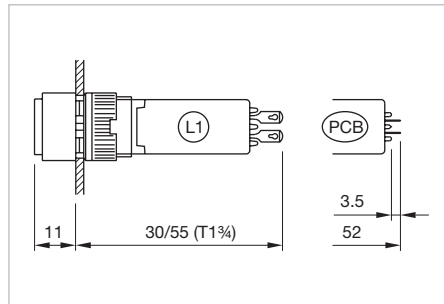
Indicator rectangular 18 x 24 mm

Equipment consisting of (schematic overview)

-  **Lens** page 80
-  **Front bezel** page 88
-  **LED** page 101
-  **Actuator**
-  **Fixing nut**

Each Part Number listed below includes all the black components shown in the 3D-drawing.

To obtain a complete unit, please select the red components from the pages shown.



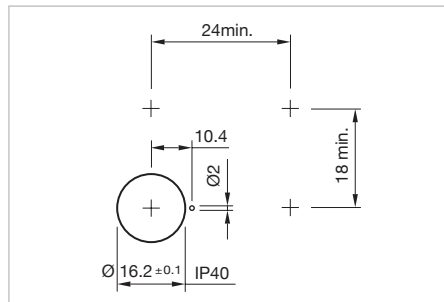
Dimensions [mm]  
L1 = Solder terminal 2.8 x 0.5 mm,  
PCB = Print terminal




Product can differ from the current configuration.

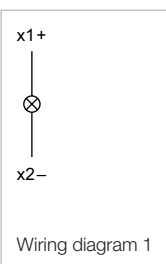
**Additional Information**

- For the flush design please order the additional front bezel set, see chapter «Accessories»
- With IP 65 no anti-rotation device can be placed within the mounting cut-out. For rear-side mounting of the anti-rotation device, please see chapter «Accessories», Part No. 260-0020-00 or 260-0021-00
- Protection degree IP 40/IP 65 is determined by front bezel and lens



Mounting cut-outs [mm]

Behind panel depth	Terminal	Lamp socket	Part No.	Wiring diagram	Weight
 <p><b>Indicator actuator rectangular, Front dimension 18 x 24 mm</b></p>					
30 mm	Solder 2.8 x 0.5 mm	T1 3/4 MG	<b>990-.000-K0</b>	1	0.004 kg
52 mm	PCB	T1 3/4 MG	<b>990-.000-0P</b>	1	0.007 kg
55 mm	Solder 2.8 x 0.5 mm	T1 3/4 MG	<b>990-.000-00</b>	1	0.007 kg

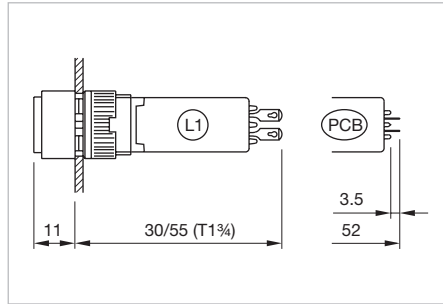


# 55 Raised design

## Indicator round Ø 24 mm



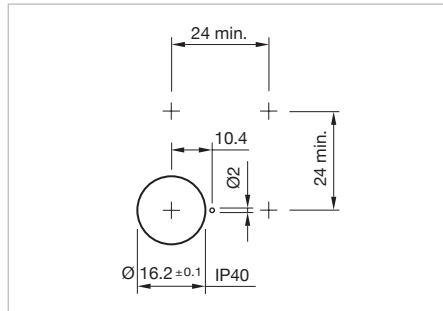
Product can differ from the current configuration.



Dimensions [mm]  
L1 = Solder terminal 2.8 x 0.5 mm,  
PCB = Print terminal

### Additional Information

- With IP 65 no anti-rotation device can be placed within the mounting cut-out. For rear-side mounting of the anti-rotation device, please see chapter «Accessories», Part No. 260-0020-00 or 260-0021-00
- Protection degree IP 40/IP 65 is determined by front bezel and lens




Mounting cut-outs [mm]

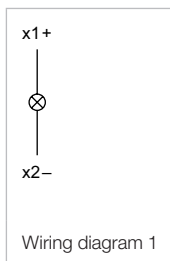
### Equipment consisting of (schematic overview)

	<b>Lens</b>	page 80
	<b>Pressure ring</b>	page 92
	<b>Sealing bulb</b>	page 92
	<b>Sealing ring</b>	page 92
	<b>Front bezel</b>	page 88
	<b>LED</b>	page 101
	<b>Actuator</b>	
	<b>Fixing nut</b>	

Each Part Number listed below includes all the black components shown in the 3D-drawing.

*To obtain a complete unit, please select the red components from the pages shown.*

Behind panel depth	Terminal	Lamp socket	Part No.	Wiring diagram	Weight
 <b>Indicator actuator round, Front dimension Ø 24 mm</b>					
30 mm	Solder 2.8 x 0.5 mm	T1 ¼ MG	<b>990-.000-K0</b>	1	0.004 kg
52 mm	PCB	T1 ¼ MG	<b>990-.000-0P</b>	1	0.007 kg
55 mm	Solder 2.8 x 0.5 mm	T1 ¼ MG	<b>990-.000-00</b>	1	0.007 kg





Indicator round Ø 18 mm

Equipment consisting of (schematic overview)



**Lens** page 80



**Front bezel** page 88



**LED** page 101



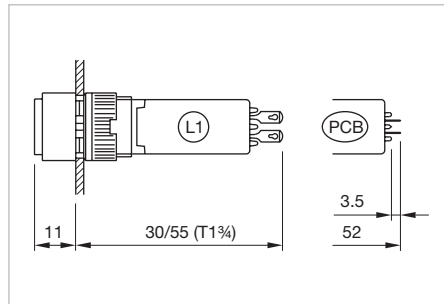
**Actuator**



**Fixing nut**

Each Part Number listed below includes all the black components shown in the 3D-drawing.

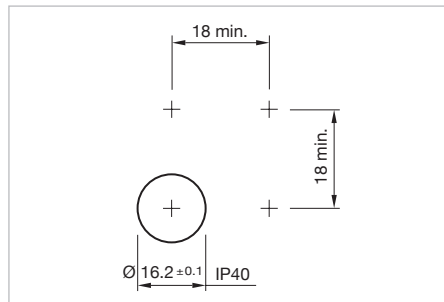
To obtain a complete unit, please select the red components from the pages shown.



Dimensions [mm]  
L1 = Solder terminal 2.8 x 0.5 mm,  
PCB = Print terminal




Product can differ from the current configuration.

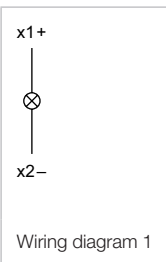


Mounting cut-outs [mm]

**Additional Information**

- For the flush design please order the additional front bezel set, see chapter «Accessories»
- Protection degree IP 40/IP 65 is determined by front bezel and lens

Behind panel depth	Terminal	Lamp socket	Part No.	Wiring diagram	Weight
 <p><b>Indicator actuator round, Front dimension Ø 18 mm</b></p>					
30 mm	Solder 2.8 x 0.5 mm	T1 ¾ MG	<b>990-.000-K0</b>	1	0.004 kg
52 mm	PCB	T1 ¾ MG	<b>990-.000-0P</b>	1	0.007 kg
55 mm	Solder 2.8 x 0.5 mm	T1 ¾ MG	<b>990-.000-00</b>	1	0.007 kg

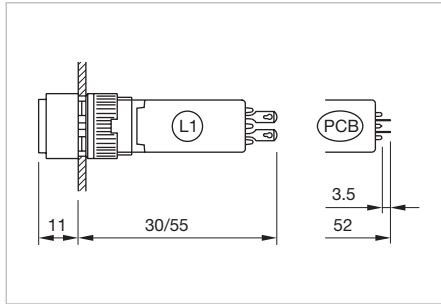


# 55 Raised design

## Buzzer square 24 x 24 mm, IP 40



Product can differ from the current configuration.



Dimensions [mm]  
L1 = Solder terminal 2.8 x 0.5 mm,  
PCB = Print terminal

### Equipment consisting of (schematic overview)



**Buzzer element** page 87



**Front bezel** page 88



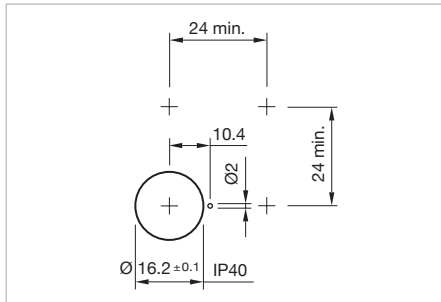
**Actuator**



**Fixing nut**

### Additional Information


- The buzzer 55 mm fits to the PCB plug-in base and multi plug housing

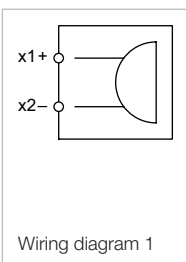


Mounting cut-outs [mm]

Each Part Number listed below includes all the black components shown in the 3D-drawing.

*To obtain a complete unit, please select the red components from the pages shown.*

Behind panel depth	Terminal	Part No.	Wiring diagram	Weight
 <b>Buzzer actuator square, Front dimension 24 x 24 mm</b>				
30 mm	Solder 2.8 x 0.5 mm	<b>970-.000-K0</b>	1	0.004 kg
52 mm	PCB	<b>970-.000-0P</b>	1	0.007 kg
55 mm	Solder 2.8 x 0.5 mm	<b>970-.000-00</b>	1	0.007 kg



**Buzzer rectangular 18 x 24 mm, IP 40**

**Equipment consisting of (schematic overview)**



**Buzzer element** page 87



**Front bezel** page 88



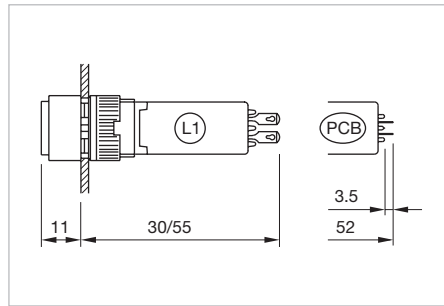
**Actuator**



**Fixing nut**

Each Part Number listed below includes all the black components shown in the 3D-drawing.

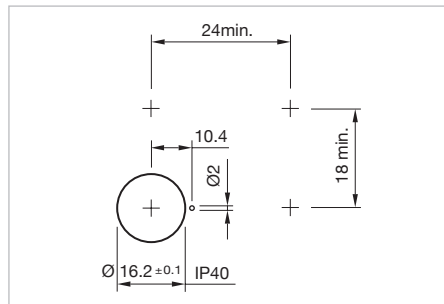
To obtain a complete unit, please select the red components from the pages shown.



Dimensions [mm]  
L1 = Solder terminal 2.8 x 0.5 mm,  
PCB = Print terminal




Product can differ from the current configuration.

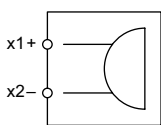


Mounting cut-outs [mm]

**Additional Information**

- For the flush design please order the additional front bezel set, see chapter «Accessories»
- The buzzer 55 mm fits to the PCB plug-in base and multi plug housing

Behind panel depth	Terminal	Part No.	Wiring diagram	Weight
 <p><b>Buzzer actuator rectangular, Front dimension 18 x 24 mm</b></p>				
30 mm	Solder 2.8 x 0.5 mm	<b>970-.000-K0</b>	1	0.004 kg
52 mm	PCB	<b>970-.000-0P</b>	1	0.007 kg
55 mm	Solder 2.8 x 0.5 mm	<b>970-.000-00</b>	1	0.007 kg



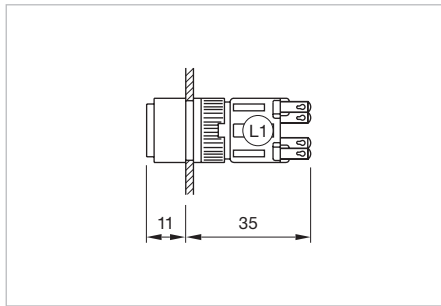
Wiring diagram 1

# 55 Raised design

## Illuminated pushbutton



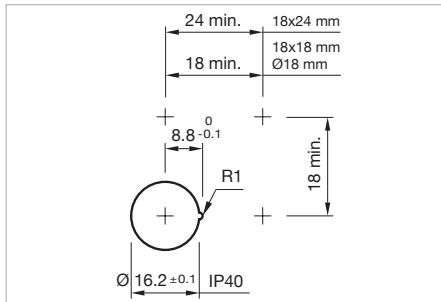
Product can differ from the current configuration.



Dimensions [mm]  
L1 = Solder terminal 2.8 x 0.5 mm,




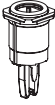


### Additional Information

- For the flush design please order the additional front bezel set, see chapter «Accessories»
- With IP 65 no anti-rotation device can be placed within the mounting cut-out. For rear-side mounting of the anti-rotation device, please see chapter «Accessories», Part No. 260-0020-00 or 260-0021-00





Mounting cut-outs [mm]


### Equipment consisting of (schematic overview)

-  **Lens** page 79
-  **Front bezel** page 88
-  **LED** page 101
-  **Actuator**
-  **Fixing nut**
-  **Switching element** page 95

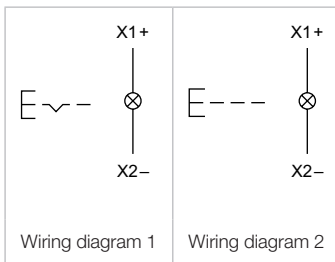
Each Part Number listed below includes all the black components shown in the 3D-drawing.

*To obtain a complete unit, please select the red components from the pages shown.*

Product attribute	Front protection	Behind panel depth	Switching action	Lamp socket	Part No.	Wiring diagram	Weight
 <p style="text-align: center;"><b>Illuminated pushbutton actuator, Front dimension 18 x 18 mm</b></p>							
Maintain to momentary action is switchable, reversible	IP 40	35 mm	C - B	T1 ¼ MG	<b>600-4000-00</b>	1	0.004 kg
	IP 40	35 mm	B	T1 ¼ MG	<b>680-4000-00</b>	2	0.004 kg
Maintain to momentary action is switchable, reversible	IP 65	35 mm	C - B	T1 ¼ MG	<b>600-4000-W0</b>	1	0.005 kg
	IP 65	35 mm	B	T1 ¼ MG	<b>680-4000-W0</b>	2	0.005 kg
 <p style="text-align: center;"><b>Illuminated pushbutton actuator, Front dimension 18 x 24 mm</b></p>							
Maintain to momentary action is switchable, reversible	IP 40	35 mm	C - B	T1 ¼ MG	<b>600-6000-00</b>	1	0.004 kg
	IP 40	35 mm	B	T1 ¼ MG	<b>680-6000-00</b>	2	0.004 kg
Maintain to momentary action is switchable, reversible	IP 65	35 mm	C - B	T1 ¼ MG	<b>600-6000-W0</b>	1	0.005 kg
	IP 65	35 mm	B	T1 ¼ MG	<b>680-6000-W0</b>	2	0.005 kg

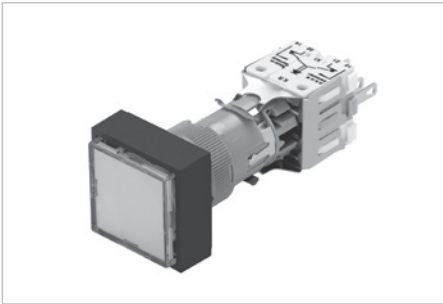
Product attribute	Front protection	Behind panel depth	Switching action	Lamp socket	Part No.	Wiring diagram	Weight
 <b>Illuminated pushbutton actuator, Front dimension Ø 18 mm</b>							
Maintain to momentary action is switchable, reversible	IP 40	35 mm	C - B	T1 ¼ MG	<b>600-2000-00</b>	1	0.004 kg
	IP 40	35 mm	B	T1 ¼ MG	<b>680-2000-00</b>	2	0.004 kg
Maintain to momentary action is switchable, reversible	IP 65	35 mm	C - B	T1 ¼ MG	<b>600-2000-W0</b>	1	0.005 kg
	IP 65	35 mm	B	T1 ¼ MG	<b>680-2000-W0</b>	2	0.005 kg

Switching action: B = Momentary, C = Maintained

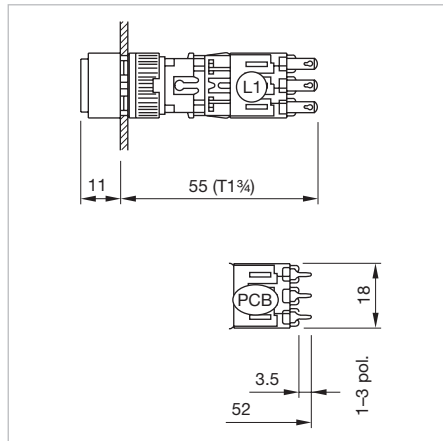


# 55 Raised design

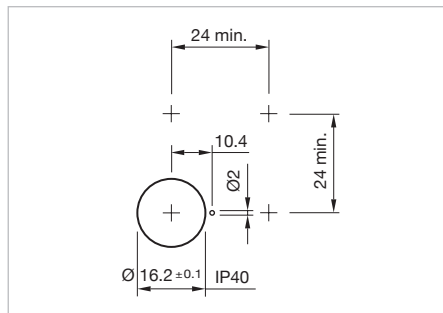
## Illuminated pushbutton square 24 x 24 mm



Product can differ from the current configuration.

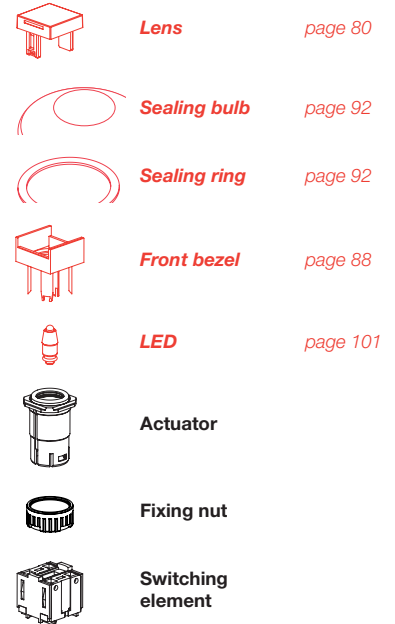


Dimensions [mm]  
L1 = Solder terminal 2.8 x 0.5 mm,  
PCB = Print terminal



Mounting cut-outs [mm]

### Equipment consisting of (schematic overview)




Each Part Number listed below includes all the black components shown in the 3D-drawing.

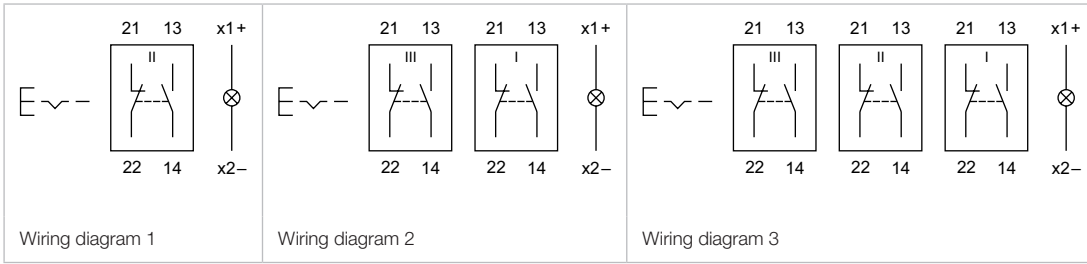
To obtain a complete unit, please select the red components from the pages shown.

### Additional Information

- Protection degree IP 40/IP 65 is determined by front bezel and lens
- Maintain to momentary action is switchable, reversible
- With IP 65 no anti-rotation device can be placed within the mounting cut-out. For rear-side mounting of the anti-rotation device, please see chapter «Accessories», Part No. 260-0020-00 or 260-0021-00

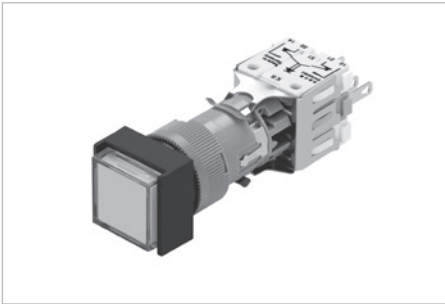
Switching system	Behind panel depth	Contacts	Switching action	Lamp socket	Terminal	Part No.	Component layout	Wiring diagram	Weight
 <b>Illuminated pushbutton actuator square, Front dimension 24 x 24 mm</b>	52 mm	1 NC + 1 NO	C - B	T1 3/4 MG	PCB	<b>901F.000-0P</b>	1	1	0.013 kg
		2 NC + 2 NO	C - B	T1 3/4 MG	PCB	<b>902F.000-0P</b>	1	2	0.014 kg
		3 NC + 3 NO	C - B	T1 3/4 MG	PCB	<b>903F.000-0P</b>	1	3	0.014 kg
	55 mm	1 NC + 1 NO	C - B	T1 3/4 MG	Solder 2.8 x 0.5 mm	<b>901F.000-00</b>		1	0.013 kg
		2 NC + 2 NO	C - B	T1 3/4 MG	Solder 2.8 x 0.5 mm	<b>902F.000-00</b>		2	0.014 kg
		3 NC + 3 NO	C - B	T1 3/4 MG	Solder 2.8 x 0.5 mm	<b>903F.000-00</b>		3	0.015 kg

Contacts: NC = Normally closed, NO = Normally open  
Switching action: B = Momentary, C = Maintained  
The component layouts you will find from page 107

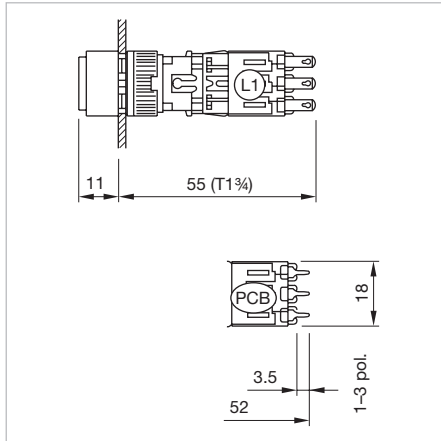


# 55 Raised design

## Illuminated pushbutton square 18 x 18 mm

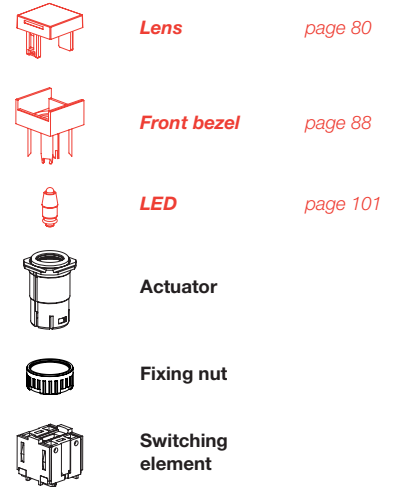


Product can differ from the current configuration.



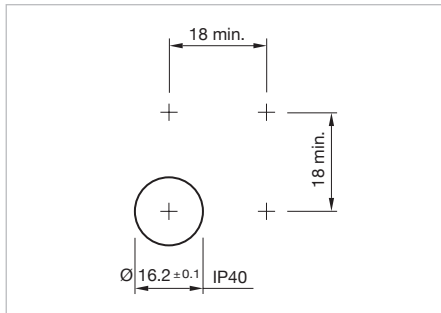
Dimensions [mm]  
L1 = Solder terminal 2.8 x 0.5 mm,  
PCB = Print terminal

### Equipment consisting of (schematic overview)



### Additional Information


- For the flush design please order the additional front bezel set, see chapter «Accessories»
- Protection degree IP 40/IP 65 is determined by front bezel and lens
- Maintain to momentary action is switchable, reversible



Mounting cut-outs [mm]

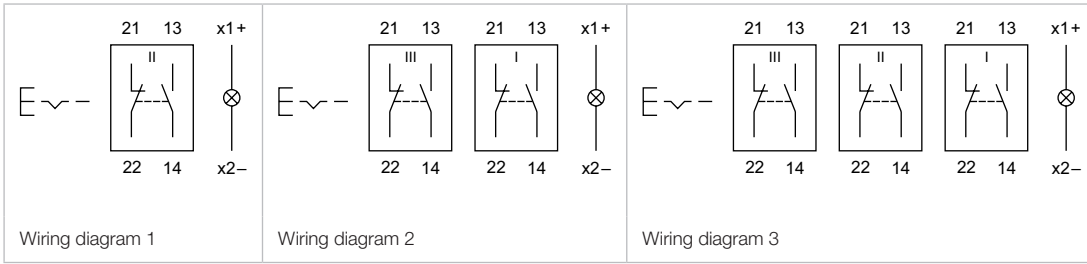
Each Part Number listed below includes all the black components shown in the 3D-drawing.

To obtain a complete unit, please select the red components from the pages shown.

Switching system	Behind panel depth	Contacts	Switching action	Lamp socket	Terminal	Part No.	Component layout	Wiring diagram	Weight
 <b>Illuminated pushbutton actuator square, Front dimension 18 x 18 mm</b>	52 mm	1 NC + 1 NO	C - B	T1 1/4 MG	PCB	<b>901F.000-0P</b>	1	1	0.013 kg
		2 NC + 2 NO	C - B	T1 1/4 MG	PCB	<b>902F.000-0P</b>	1	2	0.014 kg
		3 NC + 3 NO	C - B	T1 1/4 MG	PCB	<b>903F.000-0P</b>	1	3	0.014 kg
	55 mm	1 NC + 1 NO	C - B	T1 1/4 MG	Solder 2.8 x 0.5 mm	<b>901F.000-00</b>	1	0.013 kg	
		2 NC + 2 NO	C - B	T1 1/4 MG	Solder 2.8 x 0.5 mm	<b>902F.000-00</b>	2	0.014 kg	
		3 NC + 3 NO	C - B	T1 1/4 MG	Solder 2.8 x 0.5 mm	<b>903F.000-00</b>	3	0.015 kg	

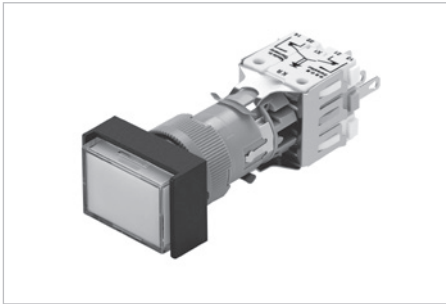
Contacts: NC = Normally closed, NO = Normally open  
Switching action: B = Momentary, C = Maintained  
The component layouts you will find from page 107



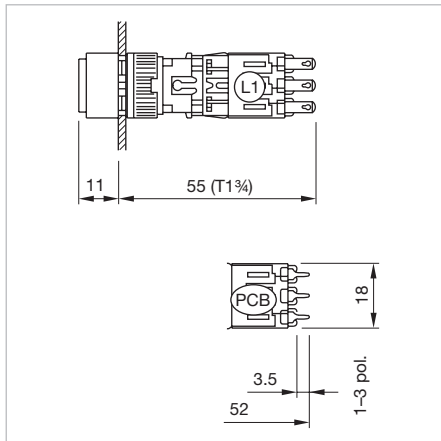


# 55 Raised design

## Illuminated pushbutton rectangular 18 x 24 mm

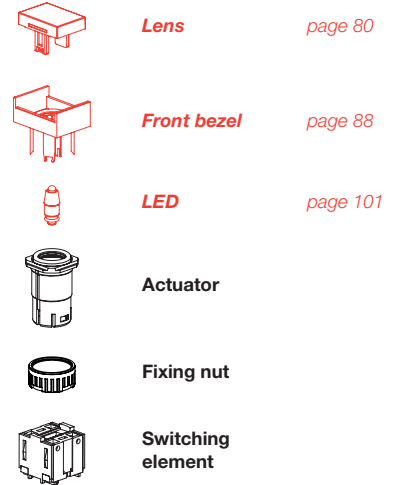


Product can differ from the current configuration.



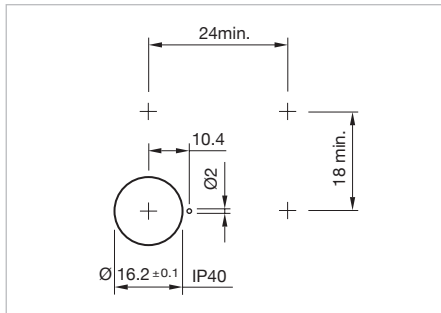
Dimensions [mm]  
L1 = Solder terminal 2.8 x 0.5 mm,  
PCB = Print terminal

### Equipment consisting of (schematic overview)



### Additional Information

- For the flush design please order the additional front bezel set, see chapter «Accessories»
- Protection degree IP 40/IP 65 is determined by front bezel and lens
- Maintain to momentary action is switchable, reversible
- With IP 65 no anti-rotation device can be placed within the mounting cut-out. For rear-side mounting of the anti-rotation device, please see chapter «Accessories», Part No. 260-0020-00 or 260-0021-00



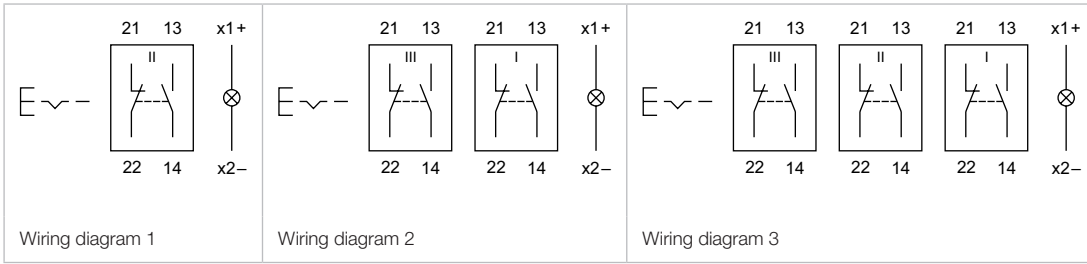
Mounting cut-outs [mm]

Each Part Number listed below includes all the black components shown in the 3D-drawing.

To obtain a complete unit, please select the red components from the pages shown.

Switching system	Behind panel depth	Contacts	Switching action	Lamp socket	Terminal	Part No.	Component layout	Wiring diagram	Weight
 <b>Illuminated pushbutton actuator rectangular, Front dimension 18 x 24 mm</b>	52 mm	1 NC + 1 NO	C - B	T1 ¼ MG	PCB	<b>901F.000-0P</b>	1	1	0.013 kg
		2 NC + 2 NO	C - B	T1 ¼ MG	PCB	<b>902F.000-0P</b>	1	2	0.014 kg
		3 NC + 3 NO	C - B	T1 ¼ MG	PCB	<b>903F.000-0P</b>	1	3	0.014 kg
	55 mm	1 NC + 1 NO	C - B	T1 ¼ MG	Solder 2.8 x 0.5 mm	<b>901F.000-00</b>		1	0.013 kg
		2 NC + 2 NO	C - B	T1 ¼ MG	Solder 2.8 x 0.5 mm	<b>902F.000-00</b>		2	0.014 kg
		3 NC + 3 NO	C - B	T1 ¼ MG	Solder 2.8 x 0.5 mm	<b>903F.000-00</b>		3	0.015 kg

Contacts: NC = Normally closed, NO = Normally open  
Switching action: B = Momentary, C = Maintained  
The component layouts you will find from page 107

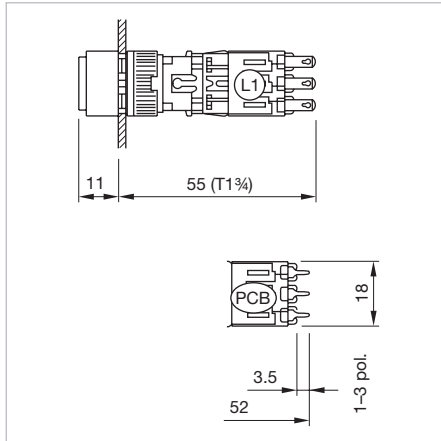


# 55 Raised design

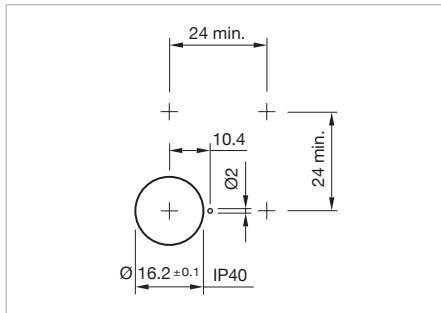
## Illuminated pushbutton round Ø 24 mm



Product can differ from the current configuration.











Dimensions [mm]  
L1 = Solder terminal 2.8 x 0.5 mm,  
PCB = Print terminal



Mounting cut-outs [mm]

### Equipment consisting of (schematic overview)


	<b>Lens</b>	page 80
	<b>Sealing bulb</b>	page 92
	<b>Sealing ring</b>	page 92
	<b>Front bezel</b>	page 88
	<b>LED</b>	page 101
	<b>Actuator</b>	
	<b>Fixing nut</b>	
	<b>Switching element</b>	

Each Part Number listed below includes all the black components shown in the 3D-drawing.

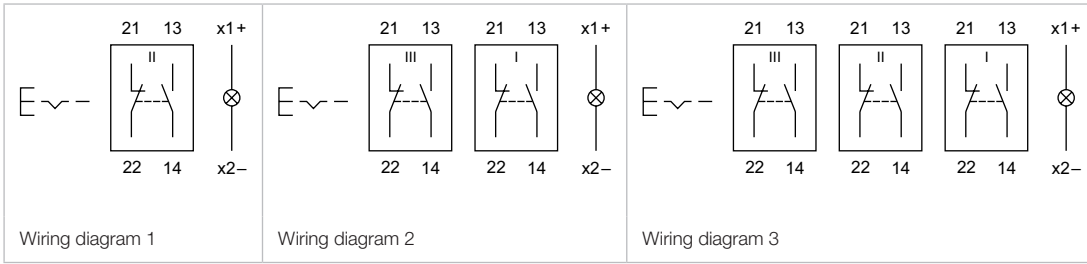
To obtain a complete unit, please select the red components from the pages shown.

### Additional Information

- Protection degree IP 40/IP 65 is determined by front bezel and lens
- Maintain to momentary action is switchable, reversible
- With IP 65 no anti-rotation device can be placed within the mounting cut-out. For rear-side mounting of the anti-rotation device, please see chapter «Accessories», Part No. 260-0020-00 or 260-0021-00

Switching system	Behind panel depth	Contacts	Switching action	Lamp socket	Terminal	Part No.	Component layout	Wiring diagram	Weight
 <b>Illuminated pushbutton actuator round, Front dimension Ø 24 mm</b>	52 mm	1 NC + 1 NO	C - B	T1 ¼ MG	PCB	<b>901F.000-0P</b>	1	1	0.013 kg
		2 NC + 2 NO	C - B	T1 ¼ MG	PCB	<b>902F.000-0P</b>	1	2	0.014 kg
		3 NC + 3 NO	C - B	T1 ¼ MG	PCB	<b>903F.000-0P</b>	1	3	0.014 kg
	55 mm	1 NC + 1 NO	C - B	T1 ¼ MG	Solder 2.8 x 0.5 mm	<b>901F.000-00</b>		1	0.013 kg
		2 NC + 2 NO	C - B	T1 ¼ MG	Solder 2.8 x 0.5 mm	<b>902F.000-00</b>		2	0.014 kg
		3 NC + 3 NO	C - B	T1 ¼ MG	Solder 2.8 x 0.5 mm	<b>903F.000-00</b>		3	0.015 kg

Contacts: NC = Normally closed, NO = Normally open  
Switching action: B = Momentary, C = Maintained  
The component layouts you will find from page 107

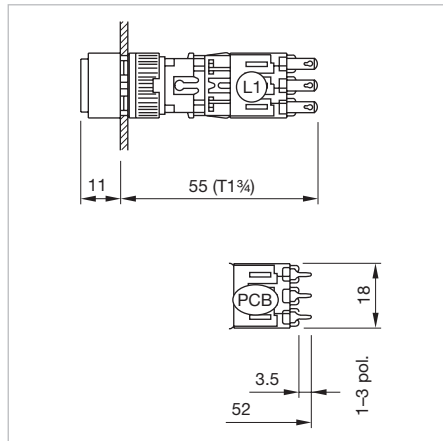


# 55 Raised design

## Illuminated pushbutton round Ø 18 mm

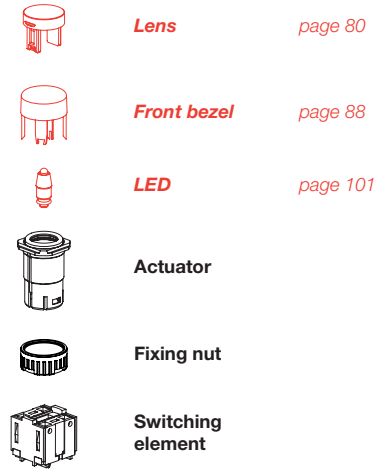


Product can differ from the current configuration.



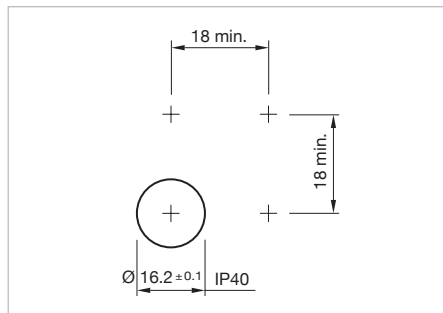
Dimensions [mm]  
L1 = Solder terminal 2.8 x 0.5 mm,  
PCB = Print terminal

### Equipment consisting of (schematic overview)



### Additional Information


- For the flush design please order the additional front bezel set, see chapter «Accessories»
- Protection degree IP 40/IP 65 is determined by front bezel and lens
- Maintain to momentary action is switchable, reversible



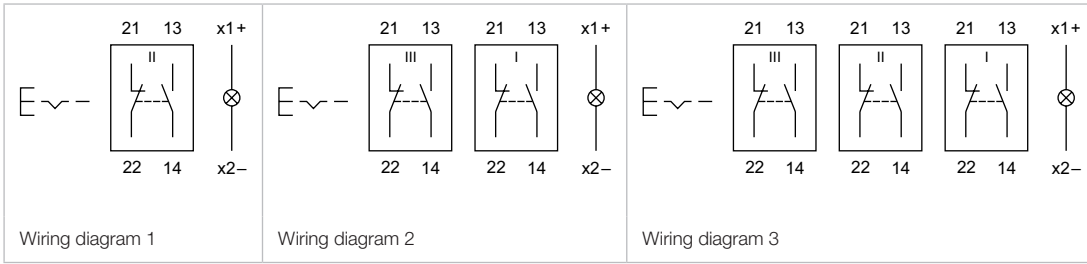
Mounting cut-outs [mm]

Each Part Number listed below includes all the black components shown in the 3D-drawing.

*To obtain a complete unit, please select the red components from the pages shown.*

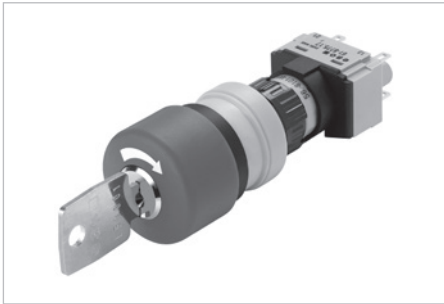
Switching system	Behind panel depth	Contacts	Switching action	Lamp socket	Terminal	Part No.	Component layout	Wiring diagram	Weight
 <b>Illuminated pushbutton actuator round, Front dimension Ø 18 mm</b>									
Snap-action switching element	52 mm	1 NC + 1 NO	C - B	T1 ¼ MG	PCB	<b>901F.000-0P</b>	1	1	0.013 kg
		2 NC + 2 NO	C - B2	T1 ¼ MG	PCB	<b>902F.000-0P</b>	1	2	0.014 kg
		3 NC + 3 NO	C - B	T1 ¼ MG	PCB	<b>903F.000-0P</b>	1	3	0.014 kg
	55 mm	1 NC + 1 NO	C - B	T1 ¼ MG	Solder 2.8 x 0.5 mm	<b>901F.000-00</b>		1	0.013 kg
		2 NC + 2 NO	C - B	T1 ¼ MG	Solder 2.8 x 0.5 mm	<b>902F.000-00</b>		2	0.014 kg
		3 NC + 3 NO	C - B	T1 ¼ MG	Solder 2.8 x 0.5 mm	<b>903F.000-00</b>		3	0.015 kg

Contacts: NC = Normally closed, NO = Normally open  
Switching action: B = Momentary, C = Maintained  
The component layouts you will find from page 107

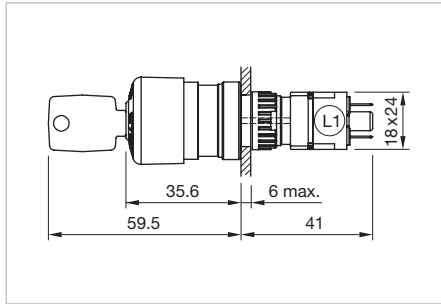


# 55 Raised design

## Emergency-stop switch, foolproof EN IEC 60947-5-5, IP 65



Product can differ from the current configuration.



Dimensions [mm]  
L1 = Solder terminal 2.8 x 0.5 mm

### Equipment consisting of (schematic overview)



Actuator



Fixing nut

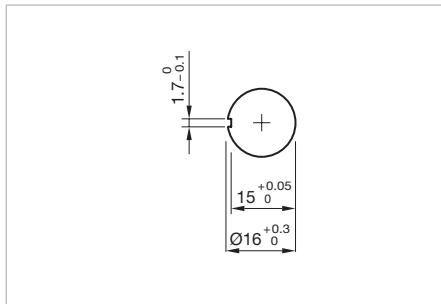


Switching element



Each Part Number listed below includes all the black components shown in the 3D-drawing.

### Additional Information

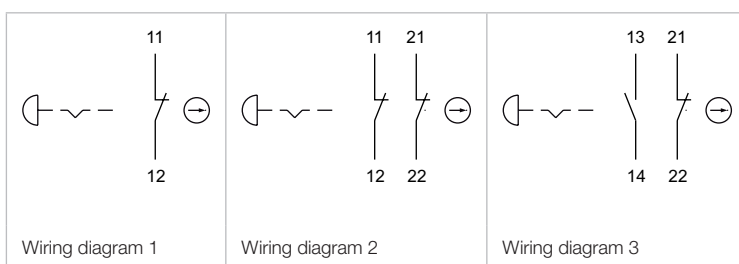
- Lens plastic red, translucent mushroom
- Standard lock KABA 1001
- Further lock numbers see «Technical data»
- Application as per DIN EN ISO 13850 and EN 60204-1



Mounting cut-outs [mm]

Product attribute	Switching system	Behind panel depth	Contacts	Terminal	Part No.	Wiring diagram	Weight
 <p style="text-align: center;"><b>Emergency-stop switch, foolproof EN IEC 60947-5-5, Front dimension Ø 27 mm</b></p>							
Twist to unlock clockwise, position indication ring black	Slow-make switching element	41 mm	1 NC	Solder 2.8 x 0.5 mm	<b>551-8000-W0</b>	1	0.025 kg
			2 NC	Solder 2.8 x 0.5 mm	<b>552-8000-W0</b>	2	0.025 kg
			1 NC + 1 NO	Solder 2.8 x 0.5 mm	<b>553-8000-W0</b>	3	0.025 kg
 <p style="text-align: center;"><b>Emergency-stop switch, foolproof EN IEC 60947-5-5, Front dimension Ø 27 mm</b></p>							
Key to unlock counter-clockwise, position indication ring black	Slow-make switching element	41 mm	1 NC	Solder 2.8 x 0.5 mm	<b>561-8101-W0</b>	1	0.047 kg
			2 NC	Solder 2.8 x 0.5 mm	<b>562-8101-W0</b>	2	0.047 kg
			1 NC + 1 NO	Solder 2.8 x 0.5 mm	<b>563-8101-W0</b>	3	0.047 kg

Contacts: NC = Normally closed, NO = Normally open





Stop switch

Equipment consisting of (schematic overview)



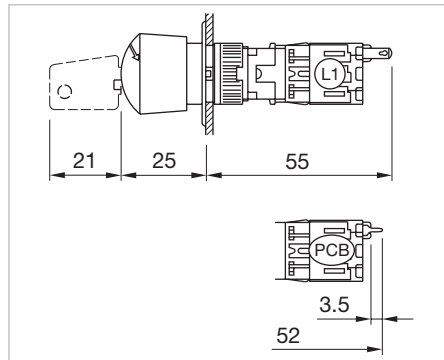
Actuator



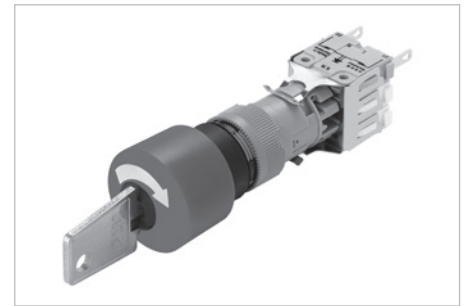
Fixing nut



Switching element

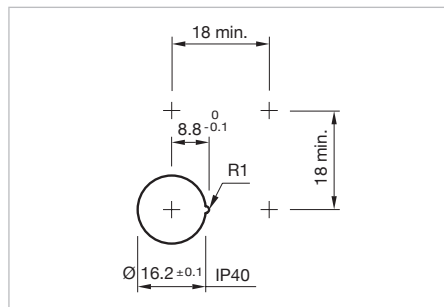


Dimensions [mm]  
L1 = Solder terminal 2.8 x 0.5 mm,  
PCB = Print terminal



Product can differ from the current configuration.



Each Part Number listed below includes all the black components shown in the 3D-drawing.





Mounting cut-outs [mm]

Additional Information

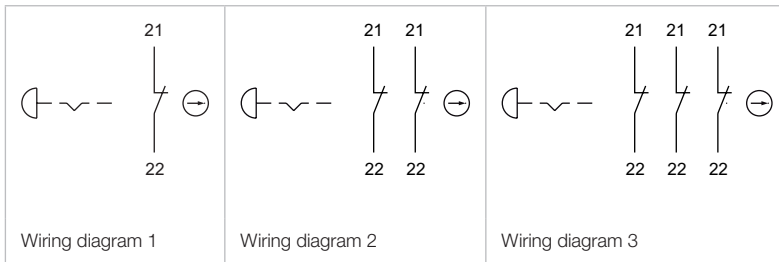
- Lens plastic red, translucent mushroom
- Standard lock B2 390
- Further lock numbers see «Technical data»
- Use the location strip no. 260-0020-00 for anti-twisting of the front bezel. At momentary position the overturning force is max. 60 Nm.

Product attribute	Front protection	Switching system	Behind panel depth	Contacts	Terminal	Part No.	Component layout	Wiring diagram	Weight
 <p><b>Stop switch, Front dimension Ø 24 mm</b></p>									
Twist to unlock clockwise	IP 40	Slow-make switching element	55 mm	1 NC	Solder 2.8 x 0.5 mm	<b>951F2000-00</b>		1	0.018 kg
				2 NC	Solder 2.8 x 0.5 mm	<b>952F2000-00</b>		2	0.019 kg
				3 NC	Solder 2.8 x 0.5 mm	<b>953F2000-00</b>		3	0.020 kg
 <p><b>Stop switch, Front dimension Ø 24 mm</b></p>									
Twist to unlock clockwise	IP 65	Slow-make switching element	55 mm	1 NC	Solder 2.8 x 0.5 mm	<b>951F2000-W0</b>		1	0.018 kg
				2 NC	Solder 2.8 x 0.5 mm	<b>952F2000-W0</b>		2	0.019 kg
				3 NC	Solder 2.8 x 0.5 mm	<b>953F2000-W0</b>		3	0.020 kg

# 55 Raised design






Product attribute	Front protection	Switching system	Behind panel depth	Contacts	Terminal	Part No.	Component layout	Wiring diagram	Weight
 <p><b>Stop switch, Front dimension Ø 24 mm</b></p>									
Key to unlock clockwise	IP 40	Slow-make switching element	55 mm	1 NC	Solder 2.8 x 0.5 mm	<b>961F2401-00</b>		1	0.030 kg
				2 NC	Solder 2.8 x 0.5 mm	<b>962F2401-00</b>		2	0.031 kg
				3 NC	Solder 2.8 x 0.5 mm	<b>963F2401-00</b>		3	0.032 kg
 <p><b>Stop switch, Front dimension Ø 24 mm</b></p>									
Key to unlock clockwise	IP 65	Slow-make switching element	55 mm	1 NC	Solder 2.8 x 0.5 mm	<b>961F2401-W0</b>		1	0.030 kg
				2 NC	Solder 2.8 x 0.5 mm	<b>962F2401-W0</b>		2	0.031 kg
				3 NC	Solder 2.8 x 0.5 mm	<b>963F2401-W0</b>		3	0.032 kg

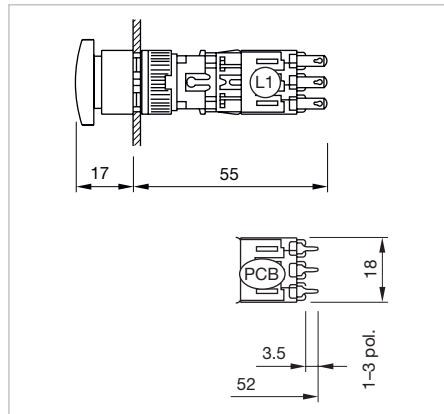
Contacts: NC = Normally closed  
 The component layouts you will find from page 107



**Mushroom-head pushbutton rectangular, IP 40**

**Equipment consisting of (schematic overview)**

-  **Mushroom-head cap** *page 83*
-  **Front bezel** *page 88*
-  **Actuator**
-  **Fixing nut**
-  **Switching element**



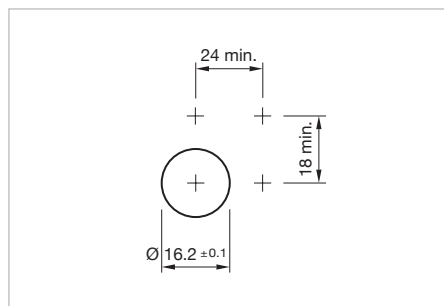
Dimensions [mm]  
 L1 = Solder terminal 2.8 x 0.5 mm,  
 PCB = Print terminal




Product can differ from the current configuration.

Each Part Number listed below includes all the black components shown in the 3D-drawing.

To obtain a complete unit, please select the red components from the pages shown.

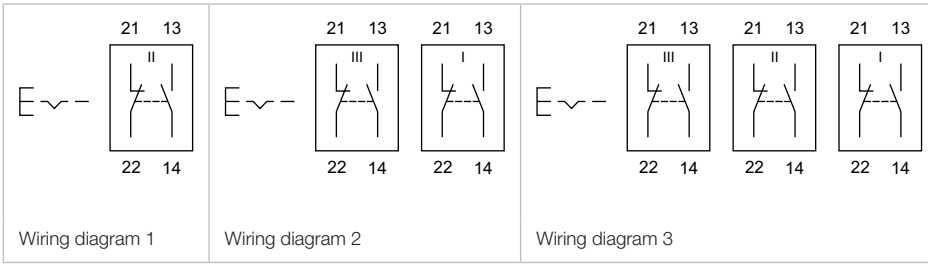


Mounting cut-outs [mm]

Product attribute	Switching system	Behind panel depth	Contacts	Switching action	Terminal	Part No.	Component layout	Wiring diagram	Weight
	Snap-action switching element	52 mm	1 NC + 1 NO	C - B	PCB	<b>901F.000-0P</b>	1	1	0.013 kg
			2 NC + 2 NO	C - B	PCB	<b>902F.000-0P</b>	1	2	0.014 kg
			3 NC + 3 NO	C - B	PCB	<b>903F.000-0P</b>	1	3	0.014 kg
		55 mm	1 NC + 1 NO	C - B	Solder 2.8 x 0.5 mm	<b>901F.000-00</b>		1	0.013 kg
			2 NC + 2 NO	C - B	Solder 2.8 x 0.5 mm	<b>902F.000-00</b>		2	0.014 kg
			3 NC + 3 NO	C - B	Solder 2.8 x 0.5 mm	<b>903F.000-00</b>		3	0.015 kg



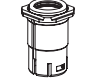


Contacts: NC = Normally closed, NO = Normally open  
 Switching action: B = Momentary, C = Maintained  
 The component layouts you will find from page 107

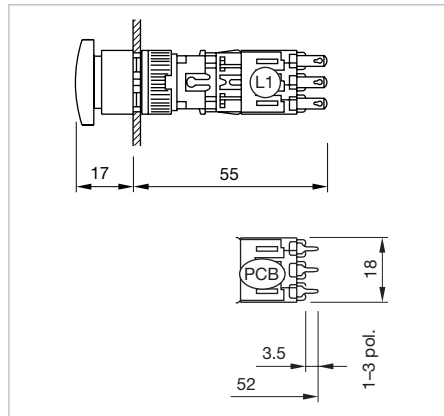
# 55 Raised design



**Mushroom-head pushbutton round, IP 40**

**Equipment consisting of (schematic overview)**

-  **Lens** page 83
-  **Front bezel** page 88
-  **Actuator**
-  **Fixing nut**
-  **Switching element**



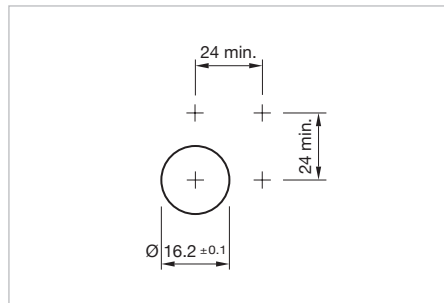
Dimensions [mm]  
 L1 = Solder terminal 2.8 x 0.5 mm,  
 PCB = Print terminal




Product can differ from the current configuration.

Each Part Number listed below includes all the black components shown in the 3D-drawing.

*To obtain a complete unit, please select the red components from the pages shown.*

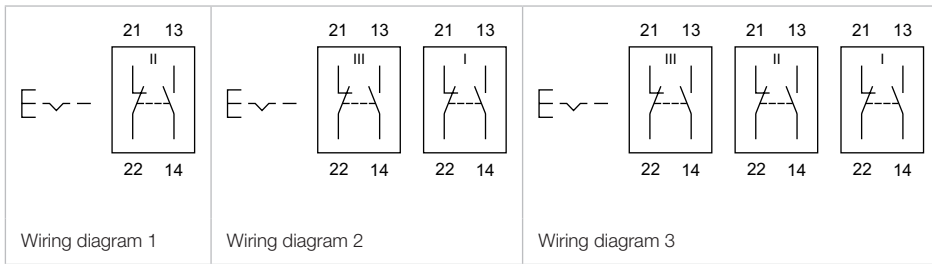


Mounting cut-outs [mm]

Product attribute	Switching system	Behind panel depth	Contacts	Switching action	Terminal	Part No.	Component layout	Wiring diagram	Weight
	Snap-action switching element	52 mm	1 NC + 1 NO	C - B	PCB	<b>901F.000-0P</b>	1	1	0.013 kg
			2 NC + 2 NO	C - B	PCB	<b>902F.000-0P</b>	1	2	0.014 kg
			3 NC + 3 NO	C - B	PCB	<b>903F.000-0P</b>	1	3	0.014 kg
		55 mm	1 NC + 1 NO	C - B	Solder 2.8 x 0.5 mm	<b>901F.000-00</b>		1	0.013 kg
			2 NC + 2 NO	C - B	Solder 2.8 x 0.5 mm	<b>902F.000-00</b>		2	0.014 kg
			3 NC + 3 NO	C - B	Solder 2.8 x 0.5 mm	<b>903F.000-00</b>		3	0.015 kg

Contacts: NC = Normally closed, NO = Normally open  
 Switching action: B = Momentary, C = Maintained  
 The component layouts you will find from page 107

# 55 Raised design

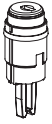


**Keylock switch 2 positions square 24 x 24 mm**

**Equipment consisting of (schematic overview)**



**Front cap** page 84



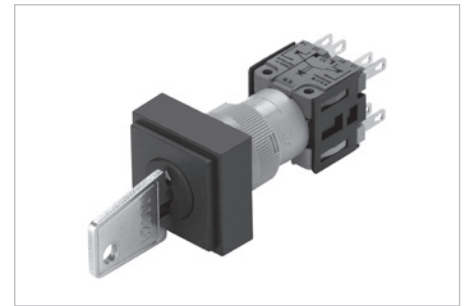
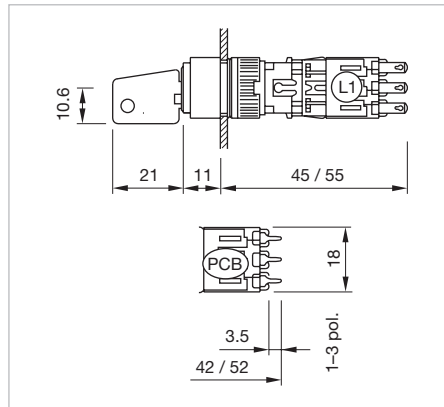
**Actuator**



**Fixing nut**



**Switching element**

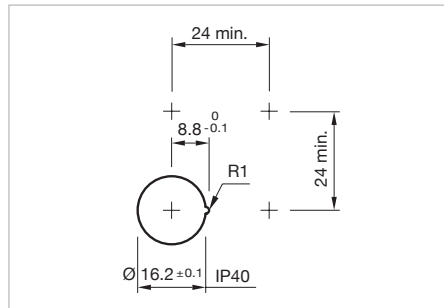


Product can differ from the current configuration.

Each Part Number listed below includes all the black components shown in the 3D-drawing.

To obtain a complete unit, please select the red components from the pages shown.

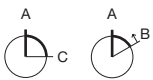
Dimensions [mm]  
L1 = Solder terminal 2.8 x 0.5 mm,  
PCB = Print terminal




Mounting cut-outs [mm]

**Additional Information**


- Standard lock B2 300
- Further lock numbers see «Technical data»
- With IP 65 no anti-rotation device can be placed within the mounting cut-out. For rear-side mounting of the anti-rotation device, please see chapter «Accessories», Part No. 260-0020-00 or 260-0021-00



Switching positions (A = Rest, B = Momentary, C = Maintained)

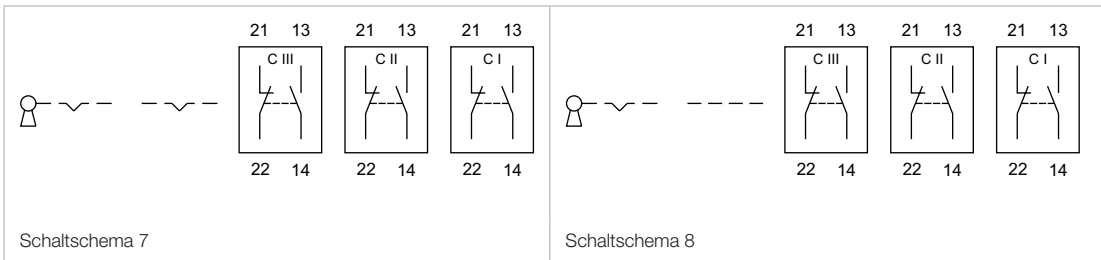
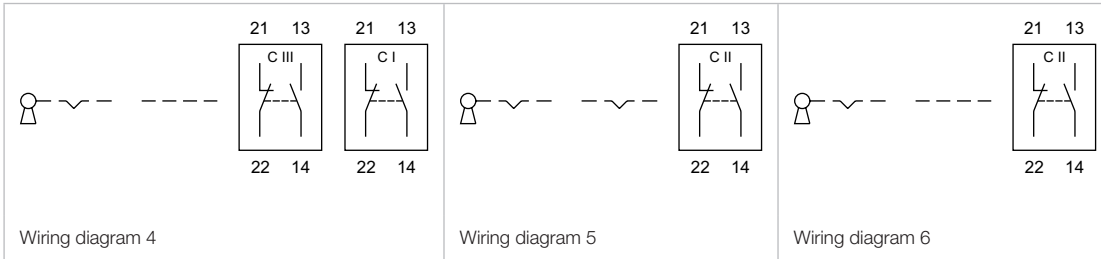
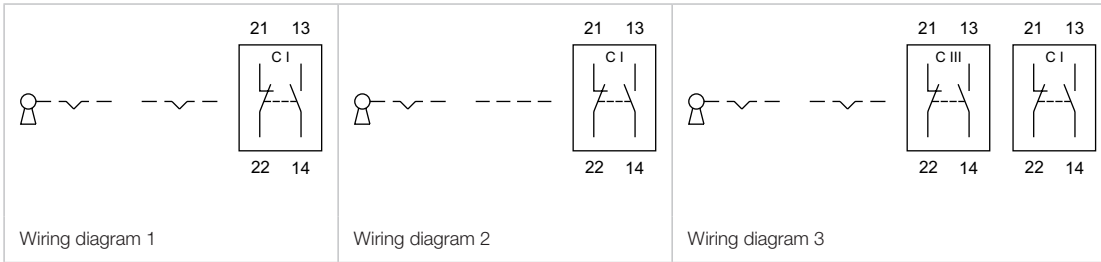
Front protection	Switching system	Behind panel depth	Contacts	Switching action	Switching angle	Key remove	Terminal	Part No.	Component layout	Wiring diagram	Weight		
	Snap-action switching element	42 mm	1 NC + 1 NO	A - C	C = 90°	A + C	PCB	<b>761F.401-OP</b>	1	1	0.022 kg		
				A - C	C = 90°	A	PCB	<b>771F.401-OP</b>	1	1	0.022 kg		
				A - B	B = 60°	A	PCB	<b>781F.401-OP</b>	1	2	0.022 kg		
			2 NC + 2 NO	A - C	C = 90°	A + C	PCB	<b>762F.401-OP</b>	1	3	0.023 kg		
				45 mm	1 NC + 1 NO	A - C	C = 90°	A + C	Solder 2.8 x 0.5 mm	<b>761F.401-00</b>	1	0.022 kg	
						A - C	C = 90°	A	Solder 2.8 x 0.5 mm	<b>771F.401-00</b>	1	0.022 kg	
		A - B	B = 60°			A	Solder 2.8 x 0.5 mm	<b>781F.401-00</b>	2	0.022 kg			
		2 NC + 2 NO	A - C	C = 90°	A + C	Solder 2.8 x 0.5 mm	<b>762F.401-00</b>	3	0.023 kg				
			A - C	C = 90°	A	Solder 2.8 x 0.5 mm	<b>772F.401-00</b>	3	0.023 kg				
			A - B	B = 60°	A	Solder 2.8 x 0.5 mm	<b>782F.401-00</b>	4	0.023 kg				
		IP 65	Snap-action switching element	42 mm	1 NC + 1 NO	A - C	C = 90°	A + C	PCB	<b>761F.401-WP</b>	1	1	0.022 kg
						A - C	C = 90°	A	PCB	<b>771F.401-WP</b>	1	1	0.022 kg
						A - B	B = 60°	A	PCB	<b>781F.401-WP</b>	1	2	0.022 kg
				45 mm	1 NC + 1 NO	A - C	C = 90°	A + C	Solder 2.8 x 0.5 mm	<b>761F.401-WO</b>	1	0.022 kg	
A - C	C = 90°					A	Solder 2.8 x 0.5 mm	<b>771F.401-WO</b>	1	0.022 kg			

# 55 Raised design

Front protection	Switching system	Behind panel depth	Contacts	Switching action	Switching angle	Key remove	Terminal	Part No.	Component layout	Wiring diagram	Weight	
IP 65	Snap-action switching element	45 mm	1 NC + 1 NO	A - B	B = 60°	A	Solder 2.8 x 0.5 mm	<b>781F.401-W0</b>		2	0.022 kg	
			2 NC + 2 NO	A - C	C = 90°	A + C	Solder 2.8 x 0.5 mm	<b>762F.401-W0</b>		3	0.023 kg	
				A - C	C = 90°	A	Solder 2.8 x 0.5 mm	<b>772F.401-W0</b>		3	0.023 kg	
				A - B	B = 60°	A	Solder 2.8 x 0.5 mm	<b>782F.401-W0</b>		4	0.023 kg	
 <p><b>Keylock switch actuator 2 positions square, Front dimension 24 x 24 mm</b></p>												
IP 40	Snap-action switching element	52 mm	1 NC + 1 NO	A - C	C = 90°	A + C	PCB	<b>911F.401-0P</b>	1	5	0.024 kg	
				A - C	C = 90°	A	PCB	<b>921F.401-0P</b>	1	5	0.024 kg	
				A - B	B = 60°	A	PCB	<b>931F.401-0P</b>	1	6	0.024 kg	
			2 NC + 2 NO	A - C	C = 90°	A + C	PCB	<b>912F.401-0P</b>	1	3	0.025 kg	
				A - B	B = 60°	A	PCB	<b>932F.401-0P</b>	1	4	0.025 kg	
				3 NC + 3 NO	A - C	C = 90°	A	PCB	<b>923F.401-0P</b>	1	7	0.026 kg
			1 NC + 1 NO	A - C	C = 90°	A + C	Solder 2.8 x 0.5 mm	<b>911F.401-00</b>		5	0.024 kg	
			55 mm	1 NC + 1 NO	A - C	C = 90°	A	Solder 2.8 x 0.5 mm	<b>921F.401-00</b>		5	0.024 kg
					A - B	B = 60°	A	Solder 2.8 x 0.5 mm	<b>931F.401-00</b>		6	0.024 kg
		2 NC + 2 NO		A - C	C = 90°	A + C	Solder 2.8 x 0.5 mm	<b>912F.401-00</b>		3	0.025 kg	
				A - C	C = 90°	A	Solder 2.8 x 0.5 mm	<b>922F.401-00</b>		3	0.025 kg	
				A - B	B = 60°	A	Solder 2.8 x 0.5 mm	<b>932F.401-00</b>		4	0.025 kg	
		3 NC + 3 NO		A - C	C = 90°	A + C	Solder 2.8 x 0.5 mm	<b>913F.401-00</b>		7	0.027 kg	
			A - C	C = 90°	A	Solder 2.8 x 0.5 mm	<b>923F.401-00</b>		7	0.027 kg		
			A - B	B = 60°	A	Solder 2.8 x 0.5 mm	<b>933F.401-00</b>		8	0.027 kg		
IP 65	Snap-action switching element	52 mm	1 NC + 1 NO	A - C	C = 90°	A	PCB	<b>921F.401-WP</b>	1	5	0.024 kg	
				A - B	B = 60°	A	PCB	<b>931F.401-WP</b>	1	6	0.024 kg	
			3 NC + 3 NO	A - C	C = 90°	A	PCB	<b>923F.401-WP</b>	1	7	0.026 kg	
				A - B	B = 60°	A	PCB	<b>933F.401-WP</b>	1	8	0.026 kg	
			55 mm	1 NC + 1 NO	A - C	C = 90°	A + C	Solder 2.8 x 0.5 mm	<b>911F.401-W0</b>		5	0.024 kg
					2 NC + 2 NO	A - C	C = 90°	A + C	Solder 2.8 x 0.5 mm	<b>912F.401-W0</b>		3
		A - C		C = 90°		A	Solder 2.8 x 0.5 mm	<b>922F.401-W0</b>		3	0.025 kg	
		A - B		B = 60°		A	Solder 2.8 x 0.5 mm	<b>932F.401-W0</b>		4	0.025 kg	
		3 NC + 3 NO		A - C	C = 90°	A + C	Solder 2.8 x 0.5 mm	<b>913F.401-W0</b>		7	0.027 kg	
				A - C	C = 90°	A	Solder 2.8 x 0.5 mm	<b>923F.401-W0</b>		7	0.027 kg	
			A - B	B = 60°	A	Solder 2.8 x 0.5 mm	<b>933F.401-W0</b>		8	0.027 kg		

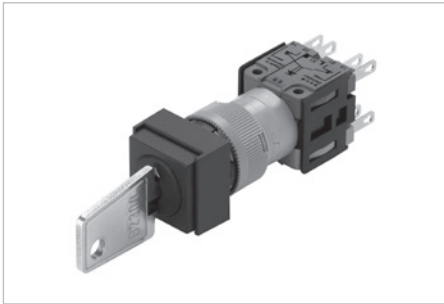
Contacts: NC = Normally closed, NO = Normally open  
 Switching action: A = Rest, B = Momentary, C = Maintained  
 The component layouts you will find from page 107



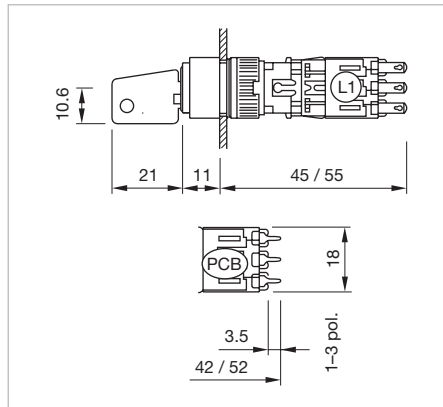


# 55 Raised design

## Keylock switch 2 positions square 18 x 18 mm

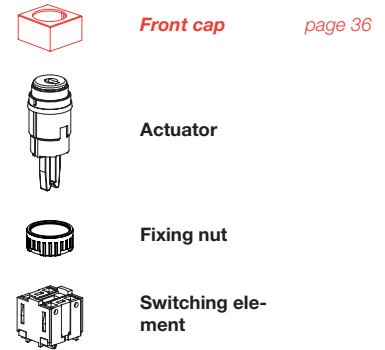


Product can differ from the current configuration.



Dimensions [mm]  
 L1 = Solder terminal 2.8 x 0.5 mm,  
 PCB = Print terminal

### Equipment consisting of (schematic overview)

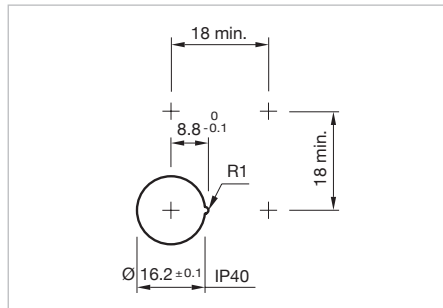


Each Part Number listed below includes all the black components shown in the 3D-drawing.

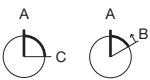
To obtain a complete unit, please select the red components from the pages shown.

### Additional Information


- For the flush design please order the additional front bezel set, see chapter «Accessories»
- Standard lock B2 300
- Further lock numbers see «Technical data»
- With IP 65 no anti-rotation device can be placed within the mounting cut-out. For rear-side mounting of the anti-rotation device, please see chapter «Accessories», Part No. 260-0020-00 or 260-0021-00



Mounting cut-outs [mm]



Switching positions (A = Rest, B = Momentary, C = Maintained)

Front protection	Switching system	Behind panel depth	Contacts	Switching action	Switching angle	Key remove	Terminal	Part No.	Component layout	Wiring diagram	Weight		
	Snap-action switching element	42 mm	1 NC + 1 NO	A - C	C = 90°	A + C	PCB	<b>761F.401-OP</b>	1	1	0.022 kg		
				A - C	C = 90°	A	PCB	<b>771F.401-OP</b>	1	1	0.022 kg		
				A - B	B = 60°	A	PCB	<b>781F.401-OP</b>	1	2	0.022 kg		
			2 NC + 2 NO	A - C	C = 90°	A + C	PCB	<b>762F.401-OP</b>	1	3	0.023 kg		
				45 mm	1 NC + 1 NO	A - C	C = 90°	A + C	Solder 2.8 x 0.5 mm	<b>761F.401-00</b>	1	0.022 kg	
						A - C	C = 90°	A	Solder 2.8 x 0.5 mm	<b>771F.401-00</b>	1	0.022 kg	
		A - B	B = 60°			A	Solder 2.8 x 0.5 mm	<b>781F.401-00</b>	2	0.022 kg			
		2 NC + 2 NO	A - C	C = 90°	A + C	Solder 2.8 x 0.5 mm	<b>762F.401-00</b>	3	0.023 kg				
			A - C	C = 90°	A	Solder 2.8 x 0.5 mm	<b>772F.401-00</b>	3	0.023 kg				
			A - B	B = 60°	A	Solder 2.8 x 0.5 mm	<b>782F.401-00</b>	4	0.023 kg				
		IP 65	Snap-action switching element	42 mm	1 NC + 1 NO	A - C	C = 90°	A + C	PCB	<b>761F.401-WP</b>	1	1	0.022 kg
						A - C	C = 90°	A	PCB	<b>771F.401-WP</b>	1	1	0.022 kg
						A - B	B = 60°	A	PCB	<b>781F.401-WP</b>	1	2	0.022 kg
				45 mm	1 NC + 1 NO	A - C	C = 90°	A + C	Solder 2.8 x 0.5 mm	<b>761F.401-W0</b>	1	0.022 kg	
A - C	C = 90°					A	Solder 2.8 x 0.5 mm	<b>771F.401-W0</b>	1	0.022 kg			

Front protection	Switching system	Behind panel depth	Contacts	Switching action	Switching angle	Key remove	Terminal	Part No.	Component layout	Wiring diagram	Weight
IP 65	Snap-action switching element	45 mm	1 NC + 1 NO	A - B	B = 60°	A	Solder 2.8 x 0.5 mm	<b>781-.401-WO</b>		2	0.022 kg
			2 NC + 2 NO	A - C	C = 90°	A + C	Solder 2.8 x 0.5 mm	<b>762-.401-WO</b>		3	0.023 kg
				A - C	C = 90°	A	Solder 2.8 x 0.5 mm	<b>772-.401-WO</b>		3	0.023 kg
				A - B	B = 60°	A	Solder 2.8 x 0.5 mm	<b>782-.401-WO</b>		4	0.023 kg

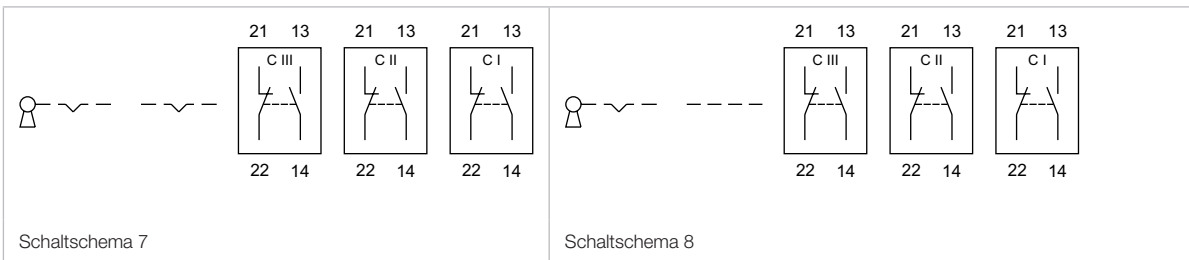
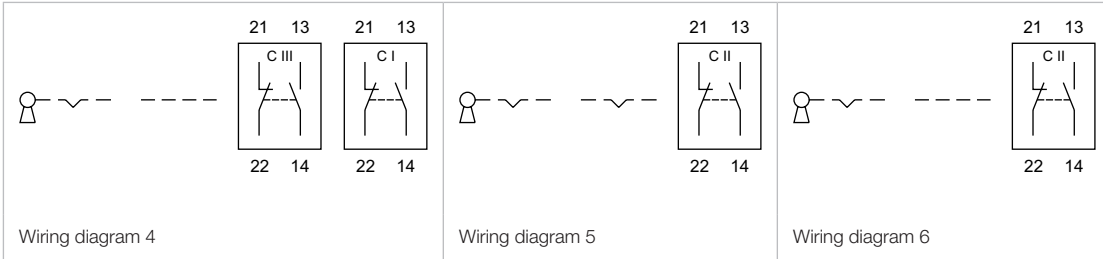
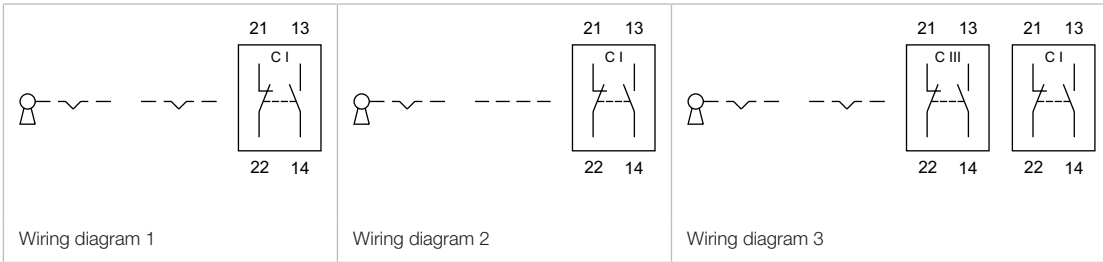


**Keylock switch actuator 2 positions square, Front dimension 18 x 18 mm**

IP 40	Snap-action switching element	52 mm	1 NC + 1 NO	A - C	C = 90°	A + C	PCB	<b>911F.401-OP</b>	1	5	0.024 kg	
				A - C	C = 90°	A	PCB	<b>921F.401-OP</b>	1	5	0.024 kg	
				A - B	B = 60°	A	PCB	<b>931F.401-OP</b>	1	6	0.024 kg	
			2 NC + 2 NO	A - C	C = 90°	A + C	PCB	<b>912F.401-OP</b>	1	3	0.025 kg	
				A - B	B = 60°	A	PCB	<b>932F.401-OP</b>	1	4	0.025 kg	
				3 NC + 3 NO	A - C	C = 90°	A	PCB	<b>923F.401-OP</b>	1	7	0.026 kg
			55 mm	1 NC + 1 NO	A - C	C = 90°	A + C	Solder 2.8 x 0.5 mm	<b>911F.401-00</b>		5	0.024 kg
					A - C	C = 90°	A	Solder 2.8 x 0.5 mm	<b>921F.401-00</b>		5	0.024 kg
					A - B	B = 60°	A	Solder 2.8 x 0.5 mm	<b>931F.401-00</b>		6	0.024 kg
		2 NC + 2 NO		A - C	C = 90°	A + C	Solder 2.8 x 0.5 mm	<b>912F.401-00</b>		3	0.025 kg	
				A - C	C = 90°	A	Solder 2.8 x 0.5 mm	<b>922F.401-00</b>		3	0.025 kg	
				A - B	B = 60°	A	Solder 2.8 x 0.5 mm	<b>932F.401-00</b>		4	0.025 kg	
		3 NC + 3 NO	A - C	C = 90°	A + C	Solder 2.8 x 0.5 mm	<b>913F.401-00</b>		7	0.027 kg		
			A - C	C = 90°	A	Solder 2.8 x 0.5 mm	<b>923F.401-00</b>		7	0.027 kg		
			A - B	B = 60°	A	Solder 2.8 x 0.5 mm	<b>933F.401-00</b>		8	0.027 kg		
IP 65	Snap-action switching element	52 mm	1 NC + 1 NO	A - C	C = 90°	A	PCB	<b>921F.401-WP</b>	1	5	0.024 kg	
				A - B	B = 60°	A	PCB	<b>931F.401-WP</b>	1	6	0.024 kg	
			3 NC + 3 NO	A - C	C = 90°	A	PCB	<b>923F.401-WP</b>	1	7	0.026 kg	
				A - B	B = 60°	A	PCB	<b>933F.401-WP</b>	1	8	0.026 kg	
			55 mm	1 NC + 1 NO	A - C	C = 90°	A + C	Solder 2.8 x 0.5 mm	<b>911F.401-WO</b>		5	0.024 kg
					2 NC + 2 NO	A - C	C = 90°	A + C	Solder 2.8 x 0.5 mm	<b>912F.401-WO</b>		3
		A - C		C = 90°		A	Solder 2.8 x 0.5 mm	<b>922F.401-WO</b>		3	0.025 kg	
		A - B		B = 60°		A	Solder 2.8 x 0.5 mm	<b>932F.401-WO</b>		4	0.025 kg	
		3 NC + 3 NO		A - C	C = 90°	A + C	Solder 2.8 x 0.5 mm	<b>913F.401-WO</b>		7	0.027 kg	
				A - C	C = 90°	A	Solder 2.8 x 0.5 mm	<b>923F.401-WO</b>		7	0.027 kg	
					A - B	B = 60°	A	Solder 2.8 x 0.5 mm	<b>933F.401-WO</b>		8	0.027 kg

Contacts: NC = Normally closed, NO = Normally open  
 Switching action: A = Rest, B = Momentary, C = Maintained  
 The component layouts you will find from page 107

# 55 Raised design

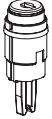


**Keylock switch 2 positions rectangular 18 x 24 mm**

**Equipment consisting of (schematic overview)**



**Front cap** page 84



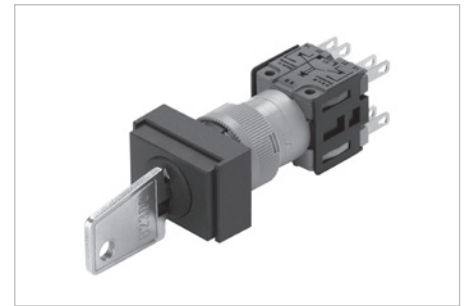
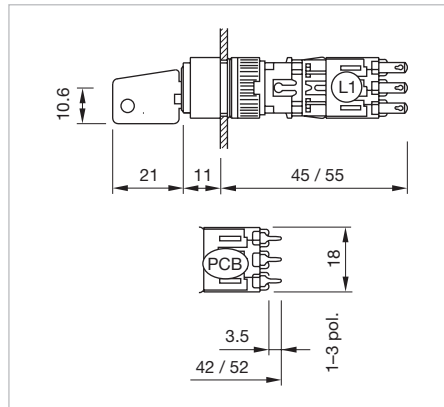
**Actuator**



**Fixing nut**



**Switching element**

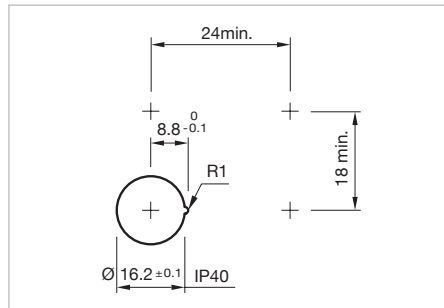


Product can differ from the current configuration.

Each Part Number listed below includes all the black components shown in the 3D-drawing.

To obtain a complete unit, please select the red components from the pages shown.

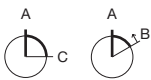
Dimensions [mm]  
L1 = Solder terminal 2.8 x 0.5 mm,  
PCB = Print terminal




Mounting cut-outs [mm]


**Additional Information**

- For the flush design please order the additional front bezel set, see chapter «Accessories»
- Standard lock B2 300
- Further lock numbers see «Technical data»
- With IP 65 no anti-rotation device can be placed within the mounting cut-out. For rear-side mounting of the anti-rotation device, please see chapter «Accessories», Part No. 260-0020-00 or 260-0021-00

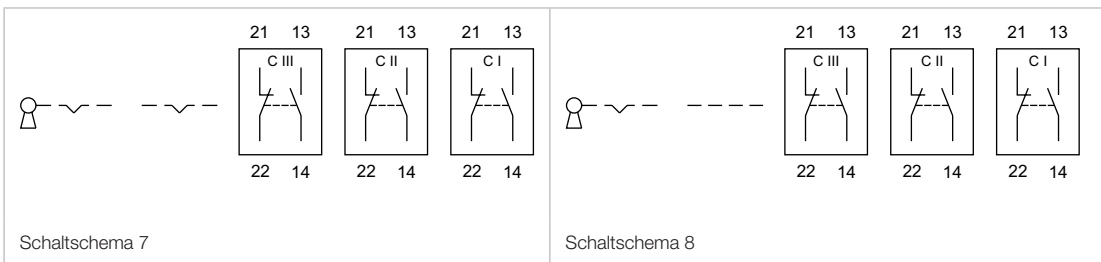
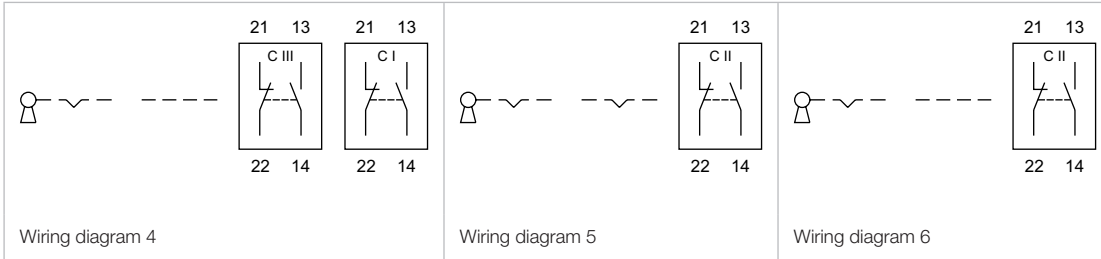
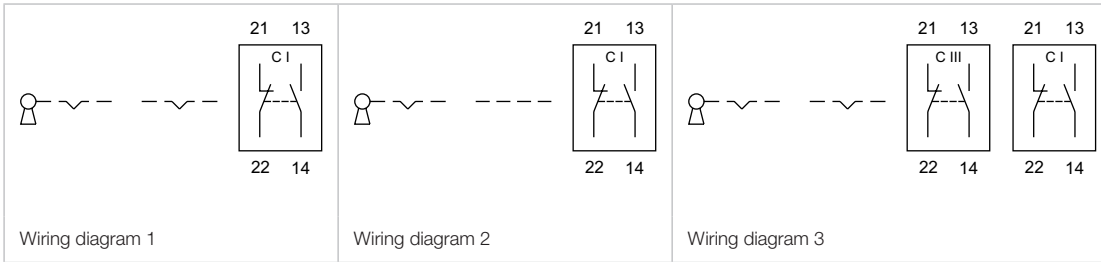


Switching positions (A = Rest, B = Momentary, C = Maintained)

Front protection	Switching system	Behind panel depth	Contacts	Switching action	Switching angle	Key remove	Terminal	Part No.	Component layout	Wiring diagram	Weight		
	Snap-action switching element	42 mm	1 NC + 1 NO	A - C	C = 90°	A + C	PCB	<b>761F.401-OP</b>	1	1	0.022 kg		
				A - C	C = 90°	A	PCB	<b>771F.401-OP</b>	1	1	0.022 kg		
				A - B	B = 60°	A	PCB	<b>781F.401-OP</b>	1	2	0.022 kg		
			2 NC + 2 NO	A - C	C = 90°	A + C	PCB	<b>762F.401-OP</b>	1	3	0.023 kg		
				45 mm	1 NC + 1 NO	A - C	C = 90°	A + C	Solder 2.8 x 0.5 mm	<b>761F.401-00</b>	1	0.022 kg	
						A - C	C = 90°	A	Solder 2.8 x 0.5 mm	<b>771F.401-00</b>	1	0.022 kg	
		A - B	B = 60°			A	Solder 2.8 x 0.5 mm	<b>781F.401-00</b>	2	0.022 kg			
		2 NC + 2 NO	A - C	C = 90°	A + C	Solder 2.8 x 0.5 mm	<b>762F.401-00</b>	3	0.023 kg				
			A - C	C = 90°	A	Solder 2.8 x 0.5 mm	<b>772F.401-00</b>	3	0.023 kg				
			A - B	B = 60°	A	Solder 2.8 x 0.5 mm	<b>782F.401-00</b>	4	0.023 kg				
		IP 65	Snap-action switching element	42 mm	1 NC + 1 NO	A - C	C = 90°	A + C	PCB	<b>761F.401-WP</b>	1	1	0.022 kg
						A - C	C = 90°	A	PCB	<b>771F.401-WP</b>	1	1	0.022 kg
A - B	B = 60°					A	PCB	<b>781F.401-WP</b>	1	2	0.022 kg		
45 mm	1 NC + 1 NO			A - C	C = 90°	A + C	Solder 2.8 x 0.5 mm	<b>761F.401-WO</b>	1	0.022 kg			
				A - C	C = 90°	A	Solder 2.8 x 0.5 mm	<b>771F.401-WO</b>	1	0.022 kg			

Front protection	Switching system	Behind panel depth	Contacts	Switching action	Switching angle	Key remove	Terminal	Part No.	Component layout	Wiring diagram	Weight	
IP 65	Snap-action switching element	45 mm	1 NC + 1 NO	A - B	B = 60°	A	Solder 2.8 x 0.5 mm	<b>781F.401-W0</b>		2	0.022 kg	
			2 NC + 2 NO	A - C	C = 90°	A + C	Solder 2.8 x 0.5 mm	<b>762F.401-W0</b>		3	0.023 kg	
				A - C	C = 90°	A	Solder 2.8 x 0.5 mm	<b>772F.401-W0</b>		3	0.023 kg	
				A - B	B = 60°	A	Solder 2.8 x 0.5 mm	<b>782F.401-W0</b>		4	0.023 kg	
 <p><b>Keylock switch actuator 2 positions rectangular, Front dimension 18 x 24 mm</b></p>												
IP 40	Snap-action switching element	52 mm	1 NC + 1 NO	A - C	C = 90°	A + C	PCB	<b>911F.401-0P</b>	1	5	0.024 kg	
				A - C	C = 90°	A	PCB	<b>921F.401-0P</b>	1	5	0.024 kg	
				A - B	B = 60°	A	PCB	<b>931F.401-0P</b>	1	6	0.024 kg	
			2 NC + 2 NO	A - C	C = 90°	A + C	PCB	<b>912F.401-0P</b>	1	3	0.025 kg	
				A - B	B = 60°	A	PCB	<b>932F.401-0P</b>	1	4	0.025 kg	
				3 NC + 3 NO	A - C	C = 90°	A	PCB	<b>923F.401-0P</b>	1	7	0.026 kg
		55 mm	1 NC + 1 NO	A - C	C = 90°	A + C	Solder 2.8 x 0.5 mm	<b>911F.401-00</b>		5	0.024 kg	
				A - C	C = 90°	A	Solder 2.8 x 0.5 mm	<b>921F.401-00</b>		5	0.024 kg	
				A - B	B = 60°	A	Solder 2.8 x 0.5 mm	<b>931F.401-00</b>		6	0.024 kg	
			2 NC + 2 NO	A - C	C = 90°	A + C	Solder 2.8 x 0.5 mm	<b>912F.401-00</b>		3	0.025 kg	
				A - C	C = 90°	A	Solder 2.8 x 0.5 mm	<b>922F.401-00</b>		3	0.025 kg	
				A - B	B = 60°	A	Solder 2.8 x 0.5 mm	<b>932F.401-00</b>		4	0.025 kg	
3 NC + 3 NO	A - C	C = 90°	A + C	Solder 2.8 x 0.5 mm	<b>913F.401-00</b>		7	0.027 kg				
	A - C	C = 90°	A	Solder 2.8 x 0.5 mm	<b>923F.401-00</b>		7	0.027 kg				
	A - B	B = 60°	A	Solder 2.8 x 0.5 mm	<b>933F.401-00</b>		8	0.027 kg				
IP 65	Snap-action switching element	52 mm	1 NC + 1 NO	A - C	C = 90°	A	PCB	<b>921F.401-WP</b>	1	5	0.024 kg	
				A - B	B = 60°	A	PCB	<b>931F.401-WP</b>	1	6	0.024 kg	
			3 NC + 3 NO	A - C	C = 90°	A	PCB	<b>923F.401-WP</b>	1	7	0.026 kg	
				A - B	B = 60°	A	PCB	<b>933F.401-WP</b>	1	8	0.026 kg	
			55 mm	1 NC + 1 NO	A - C	C = 90°	A + C	Solder 2.8 x 0.5 mm	<b>911F.401-W0</b>		5	0.024 kg
					2 NC + 2 NO	A - C	C = 90°	A + C	Solder 2.8 x 0.5 mm	<b>912F.401-W0</b>		3
		A - C				C = 90°	A	Solder 2.8 x 0.5 mm	<b>922F.401-W0</b>		3	0.025 kg
		3 NC + 3 NO		A - B	B = 60°	A	Solder 2.8 x 0.5 mm	<b>932F.401-W0</b>		4	0.025 kg	
				A - C	C = 90°	A + C	Solder 2.8 x 0.5 mm	<b>913F.401-W0</b>		7	0.027 kg	
				A - C	C = 90°	A	Solder 2.8 x 0.5 mm	<b>923F.401-W0</b>		7	0.027 kg	
		A - B	B = 60°	A	Solder 2.8 x 0.5 mm	<b>933F.401-W0</b>		8	0.027 kg			

Contacts: NC = Normally closed, NO = Normally open  
 Switching action: A = Rest, B = Momentary, C = Maintained  
 The component layouts you will find from page 107

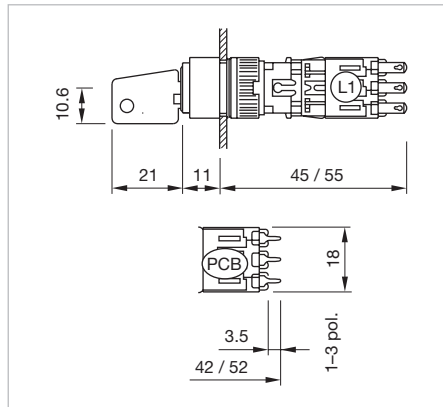


# 55 Raised design

## Keylock switch 2 positions round Ø 24 mm

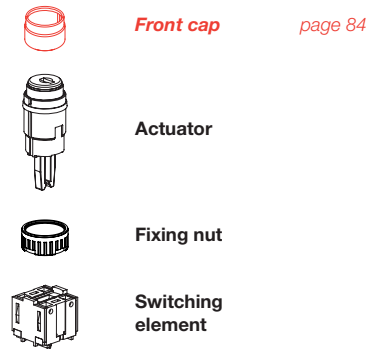


Product can differ from the current configuration.



Dimensions [mm]  
 L1 = Solder terminal 2.8 x 0.5 mm,  
 PCB = Print terminal

### Equipment consisting of (schematic overview)

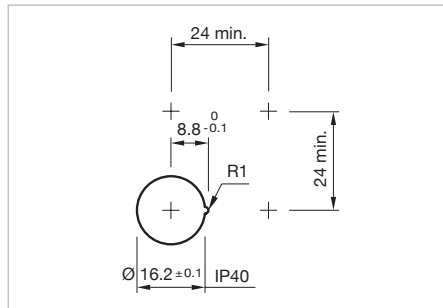


Each Part Number listed below includes all the black components shown in the 3D-drawing.

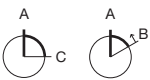
To obtain a complete unit, please select the red components from the pages shown.

### Additional Information


- Standard lock B2 300
- Further lock numbers see «Technical data»
- With IP 65 no anti-rotation device can be placed within the mounting cut-out. For rear-side mounting of the anti-rotation device, please see chapter «Accessories», Part No. 260-0020-00 or 260-0021-00



Mounting cut-outs [mm]



Switching positions (A = Rest, B = Momentary, C = Maintained)

Front protection	Switching system	Behind panel depth	Contacts	Switching action	Switching angle	Key remove	Terminal	Part No.	Component layout	Wiring diagram	Weight			
 <p><b>Keylock switch actuator 2 positions round, Front dimension Ø 24 mm</b></p>	Snap-action switching element	42 mm	1 NC + 1 NO	A - C	C = 90°	A + C	PCB	<b>761F.401-OP</b>	1	1	0.022 kg			
			1 NC + 1 NO	A - C	C = 90°	A	PCB	<b>771F.401-OP</b>	1	1	0.022 kg			
			1 NC + 1 NO	A - B	B = 60°	A	PCB	<b>781F.401-OP</b>	1	2	0.022 kg			
			2 NC + 2 NO	A - C	C = 90°	A + C	PCB	<b>762F.401-OP</b>	1	3	0.023 kg			
		45 mm	1 NC + 1 NO	A - C	C = 90°	A + C	Solder 2.8 x 0.5 mm	<b>761F.401-00</b>		1	0.022 kg			
			1 NC + 1 NO	A - C	C = 90°	A	Solder 2.8 x 0.5 mm	<b>771F.401-00</b>		1	0.022 kg			
			1 NC + 1 NO	A - B	B = 60°	A	Solder 2.8 x 0.5 mm	<b>781F.401-00</b>		2	0.022 kg			
			2 NC + 2 NO	A - C	C = 90°	A + C	Solder 2.8 x 0.5 mm	<b>762F.401-00</b>		3	0.023 kg			
			2 NC + 2 NO	A - C	C = 90°	A	Solder 2.8 x 0.5 mm	<b>772F.401-00</b>		3	0.023 kg			
			2 NC + 2 NO	A - B	B = 60°	A	Solder 2.8 x 0.5 mm	<b>782F.401-00</b>		4	0.023 kg			
			IP 65	Sprungschaltelement	42 mm	1 NC + 1 NO	A - C	C = 90°	A + C	PCB	<b>761F.401-WP</b>	1	1	0.022 kg
						1 NC + 1 NO	A - C	C = 90°	A	PCB	<b>771F.401-WP</b>	1	1	0.022 kg
1 NC + 1 NO	A - B	B = 60°				A	PCB	<b>781F.401-WP</b>	1	2	0.022 kg			
45 mm	1 NC + 1 NO	A - C			C = 90°	A + C	Solder 2.8 x 0.5 mm	<b>761F.401-W0</b>		1	0.022 kg			
	1 NC + 1 NO	A - C			C = 90°	A	Solder 2.8 x 0.5 mm	<b>771F.401-W0</b>		1	0.022 kg			



Front protection	Switching system	Behind panel depth	Contacts	Switching action	Switching angle	Key remove	Terminal	Part No.	Component layout	Wiring diagram	Weight
IP 65	Snap-action switching element	45 mm	1 NC + 1 NO	A - B	B = 60°	A	Solder 2.8 x 0.5 mm	<b>781-.401-WO</b>		2	0.022 kg
			2 NC + 2 NO	A - C	C = 90°	A + C	Solder 2.8 x 0.5 mm	<b>762-.401-WO</b>		3	0.023 kg
				A - C	C = 90°	A	Solder 2.8 x 0.5 mm	<b>772-.401-WO</b>		3	0.023 kg
				A - B	B = 60°	A	Solder 2.8 x 0.5 mm	<b>782-.401-WO</b>		4	0.023 kg

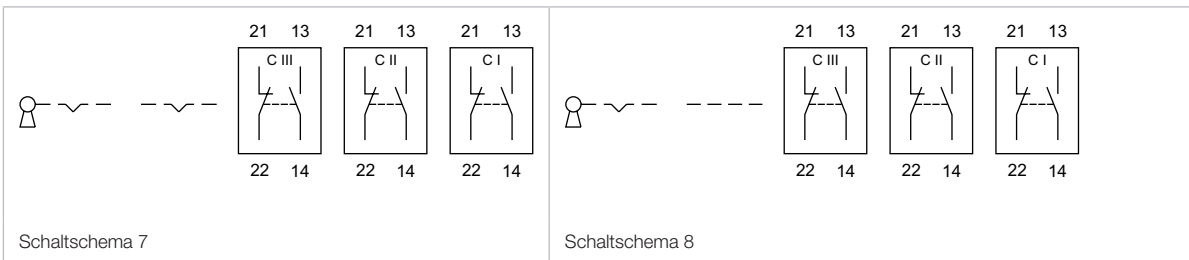
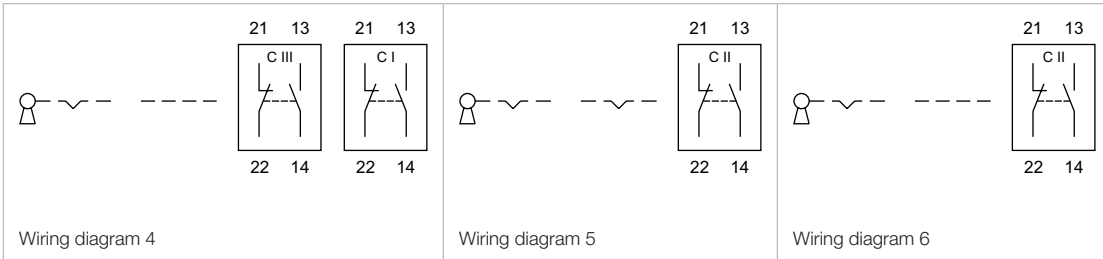
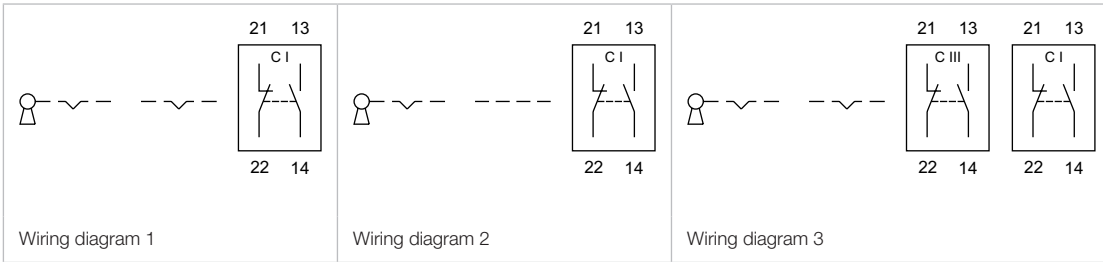


**Keylock switch actuator 2 positions round, Front dimension Ø 24 mm**

IP 40	Snap-action switching element	52 mm	1 NC + 1 NO	A - C	C = 90°	A + C	PCB	<b>911F.401-OP</b>	1	5	0.024 kg	
				A - C	C = 90°	A	PCB	<b>921F.401-OP</b>	1	5	0.024 kg	
				A - B	B = 60°	A	PCB	<b>931F.401-OP</b>	1	6	0.024 kg	
			2 NC + 2 NO	A - C	C = 90°	A + C	PCB	<b>912F.401-OP</b>	1	3	0.025 kg	
				A - B	B = 60°	A	PCB	<b>932F.401-OP</b>	1	4	0.025 kg	
				3 NC + 3 NO	A - C	C = 90°	A	PCB	<b>923F.401-OP</b>	1	7	0.026 kg
		55 mm	1 NC + 1 NO	A - C	C = 90°	A + C	Solder 2.8 x 0.5 mm	<b>911F.401-00</b>		5	0.024 kg	
				A - C	C = 90°	A	Solder 2.8 x 0.5 mm	<b>921F.401-00</b>		5	0.024 kg	
				A - B	B = 60°	A	Solder 2.8 x 0.5 mm	<b>931F.401-00</b>		6	0.024 kg	
			2 NC + 2 NO	A - C	C = 90°	A + C	Solder 2.8 x 0.5 mm	<b>912F.401-00</b>		3	0.025 kg	
				A - C	C = 90°	A	Solder 2.8 x 0.5 mm	<b>922F.401-00</b>		3	0.025 kg	
				A - B	B = 60°	A	Solder 2.8 x 0.5 mm	<b>932F.401-00</b>		4	0.025 kg	
3 NC + 3 NO	A - C	C = 90°	A + C	Solder 2.8 x 0.5 mm	<b>913F.401-00</b>		7	0.027 kg				
	A - C	C = 90°	A	Solder 2.8 x 0.5 mm	<b>923F.401-00</b>		7	0.027 kg				
	A - B	B = 60°	A	Solder 2.8 x 0.5 mm	<b>933F.401-00</b>		8	0.027 kg				
IP 65	Snap-action switching element	52 mm	1 NC + 1 NO	A - C	C = 90°	A	PCB	<b>921F.401-WP</b>	1	5	0.024 kg	
				A - B	B = 60°	A	PCB	<b>931F.401-WP</b>	1	6	0.024 kg	
			3 NC + 3 NO	A - C	C = 90°	A	PCB	<b>923F.401-WP</b>	1	7	0.026 kg	
				A - B	B = 60°	A	PCB	<b>933F.401-WP</b>	1	8	0.026 kg	
			55 mm	1 NC + 1 NO	A - C	C = 90°	A + C	Solder 2.8 x 0.5 mm	<b>911F.401-WO</b>		5	0.024 kg
					2 NC + 2 NO	A - C	C = 90°	A + C	Solder 2.8 x 0.5 mm	<b>912F.401-WO</b>		3
		A - C		C = 90°		A	Solder 2.8 x 0.5 mm	<b>922F.401-WO</b>		3	0.025 kg	
		A - B		B = 60°		A	Solder 2.8 x 0.5 mm	<b>932F.401-WO</b>		4	0.025 kg	
		3 NC + 3 NO		A - C	C = 90°	A + C	Solder 2.8 x 0.5 mm	<b>913F.401-WO</b>		7	0.027 kg	
				A - C	C = 90°	A	Solder 2.8 x 0.5 mm	<b>923F.401-WO</b>		7	0.027 kg	
					A - B	B = 60°	A	Solder 2.8 x 0.5 mm	<b>933F.401-WO</b>		8	0.027 kg

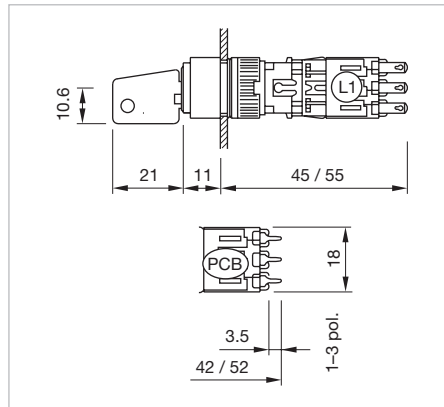
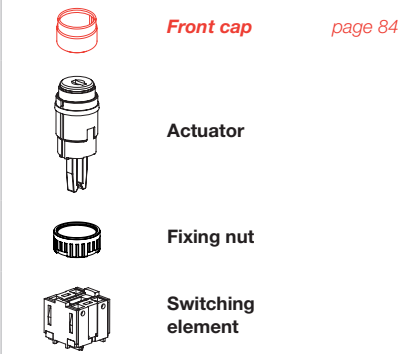
Contacts: NC = Normally closed, NO = Normally open  
 Switching action: A = Rest, B = Momentary, C = Maintained  
 The component layouts you will find from page 107

# 55 Raised design



**Keylock switch 2 positions round Ø 18 mm**

**Equipment consisting of (schematic overview)**

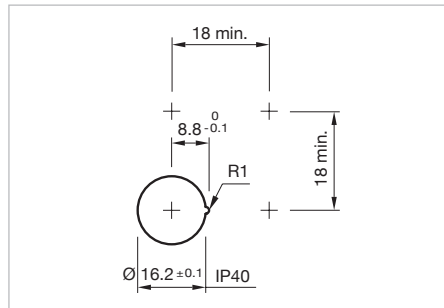


Product can differ from the current configuration.

Each Part Number listed below includes all the black components shown in the 3D-drawing.

To obtain a complete unit, please select the red components from the pages shown.

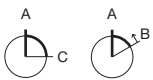
Dimensions [mm]  
L1 = Solder terminal 2.8 x 0.5 mm,  
PCB = Print terminal




Mounting cut-outs [mm]

**Additional Information**


- For the flush design please order the additional front bezel set, see chapter «Accessories»
- Standard lock B2 300
- Further lock numbers see «Technical data»
- With IP 65 no anti-rotation device can be placed within the mounting cut-out. For rear-side mounting of the anti-rotation device, please see chapter «Accessories», Part No. 260-0020-00 or 260-0021-00



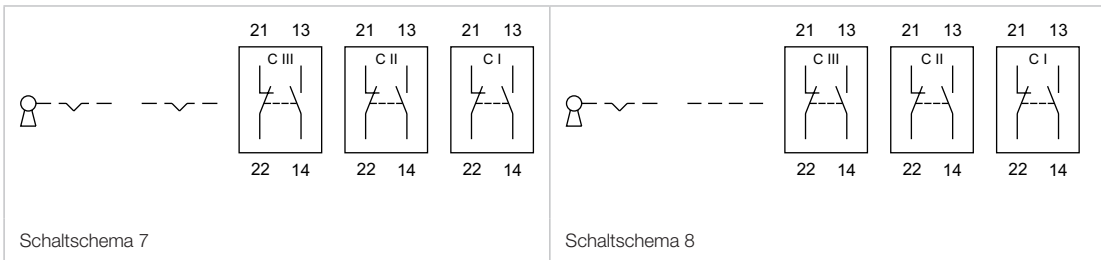
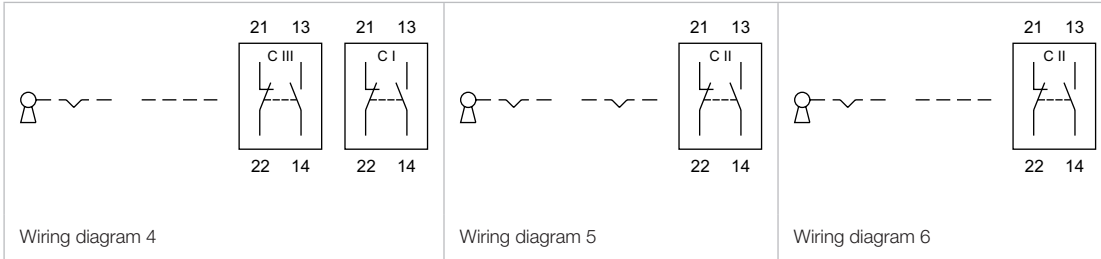
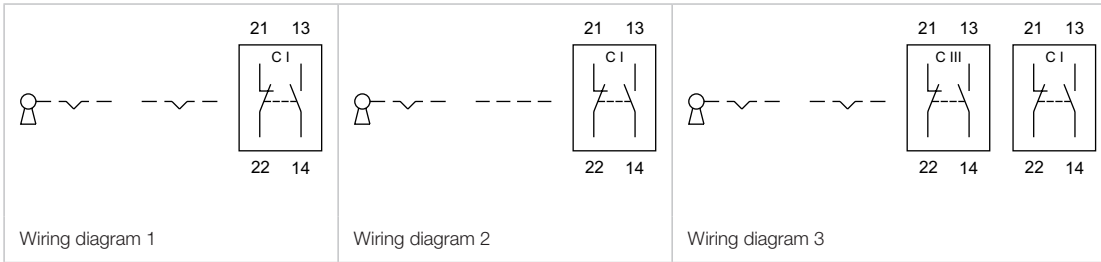
Switching positions (A = Rest, B = Momentary, C = Maintained)

Front protection	Switching system	Behind panel depth	Contacts	Switching action	Switching angle	Key remove	Terminal	Part No.	Component layout	Wiring diagram	Weight		
	Snap-action switching element	42 mm	1 NC + 1 NO	A - C	C = 90°	A + C	PCB	<b>761F.401-0P</b>	1	1	0.022 kg		
				A - C	C = 90°	A	PCB	<b>771F.401-0P</b>	1	1	0.022 kg		
				A - B	B = 60°	A	PCB	<b>781F.401-0P</b>	1	2	0.022 kg		
			2 NC + 2 NO	A - C	C = 90°	A + C	PCB	<b>762F.401-0P</b>	1	3	0.023 kg		
				45 mm	1 NC + 1 NO	A - C	C = 90°	A + C	Solder 2.8 x 0.5 mm	<b>761F.401-00</b>	1	0.022 kg	
						A - C	C = 90°	A	Solder 2.8 x 0.5 mm	<b>771F.401-00</b>	1	0.022 kg	
		A - B	B = 60°			A	Solder 2.8 x 0.5 mm	<b>781F.401-00</b>	2	0.022 kg			
		2 NC + 2 NO	A - C	C = 90°	A + C	Solder 2.8 x 0.5 mm	<b>762F.401-00</b>	3	0.023 kg				
			A - C	C = 90°	A	Solder 2.8 x 0.5 mm	<b>772F.401-00</b>	3	0.023 kg				
			A - B	B = 60°	A	Solder 2.8 x 0.5 mm	<b>782F.401-00</b>	4	0.023 kg				
		IP 65	Snap-action switching element	42 mm	1 NC + 1 NO	A - C	C = 90°	A + C	PCB	<b>761F.401-WP</b>	1	1	0.022 kg
						A - C	C = 90°	A	PCB	<b>771F.401-WP</b>	1	1	0.022 kg
A - B	B = 60°					A	PCB	<b>781F.401-WP</b>	1	2	0.022 kg		
A - C	C = 90°					A + C	Solder 2.8 x 0.5 mm	<b>761F.401-WO</b>	1	0.022 kg			
A - C	C = 90°					A	Solder 2.8 x 0.5 mm	<b>771F.401-WO</b>	1	0.022 kg			

# 55 Raised design

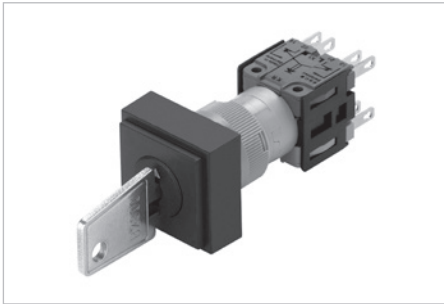
Front protection	Switching system	Behind panel depth	Contacts	Switching action	Switching angle	Key remove	Terminal	Part No.	Component layout	Wiring diagram	Weight	
IP 65	Snap-action switching element	45 mm	1 NC + 1 NO	A - B	B = 60°	A	Solder 2.8 x 0.5 mm	<b>781F.401-W0</b>		2	0.022 kg	
			2 NC + 2 NO	A - C	C = 90°	A + C	Solder 2.8 x 0.5 mm	<b>762F.401-W0</b>		3	0.023 kg	
				A - C	C = 90°	A	Solder 2.8 x 0.5 mm	<b>772F.401-W0</b>		3	0.023 kg	
				A - B	B = 60°	A	Solder 2.8 x 0.5 mm	<b>782F.401-W0</b>		4	0.023 kg	
 <p><b>Keylock switch actuator 2 positions round, Front dimension Ø 18 mm</b></p>												
IP 40	Snap-action switching element	52 mm	1 NC + 1 NO	A - C	C = 90°	A + C	PCB	<b>911F.401-0P</b>	1	5	0.024 kg	
				A - C	C = 90°	A	PCB	<b>921F.401-0P</b>	1	5	0.024 kg	
				A - B	B = 60°	A	PCB	<b>931F.401-0P</b>	1	6	0.024 kg	
			2 NC + 2 NO	A - C	C = 90°	A + C	PCB	<b>912F.401-0P</b>	1	3	0.025 kg	
				A - B	B = 60°	A	PCB	<b>932F.401-0P</b>	1	4	0.025 kg	
				3 NC + 3 NO	A - C	C = 90°	A	PCB	<b>923F.401-0P</b>	1	7	0.026 kg
		55 mm	1 NC + 1 NO	A - C	C = 90°	A + C	Solder 2.8 x 0.5 mm	<b>911F.401-00</b>		5	0.024 kg	
				A - C	C = 90°	A	Solder 2.8 x 0.5 mm	<b>921F.401-00</b>		5	0.024 kg	
				A - B	B = 60°	A	Solder 2.8 x 0.5 mm	<b>931F.401-00</b>		6	0.024 kg	
			2 NC + 2 NO	A - C	C = 90°	A + C	Solder 2.8 x 0.5 mm	<b>912F.401-00</b>		3	0.025 kg	
				A - C	C = 90°	A	Solder 2.8 x 0.5 mm	<b>922F.401-00</b>		3	0.025 kg	
				A - B	B = 60°	A	Solder 2.8 x 0.5 mm	<b>932F.401-00</b>		4	0.025 kg	
3 NC + 3 NO	A - C	C = 90°	A + C	Solder 2.8 x 0.5 mm	<b>913F.401-00</b>		7	0.027 kg				
	A - C	C = 90°	A	Solder 2.8 x 0.5 mm	<b>923F.401-00</b>		7	0.027 kg				
	A - B	B = 60°	A	Solder 2.8 x 0.5 mm	<b>933F.401-00</b>		8	0.027 kg				
IP 65	Snap-action switching element	52 mm	1 NC + 1 NO	A - C	C = 90°	A	PCB	<b>921F.401-WP</b>	1	5	0.024 kg	
				A - B	B = 60°	A	PCB	<b>931F.401-WP</b>	1	6	0.024 kg	
			3 NC + 3 NO	A - C	C = 90°	A	PCB	<b>923F.401-WP</b>	1	7	0.026 kg	
				A - B	B = 60°	A	PCB	<b>933F.401-WP</b>	1	8	0.026 kg	
			55 mm	1 NC + 1 NO	A - C	C = 90°	A + C	Solder 2.8 x 0.5 mm	<b>911F.401-W0</b>		5	0.024 kg
					2 NC + 2 NO	A - C	C = 90°	A + C	Solder 2.8 x 0.5 mm	<b>912F.401-W0</b>		3
		A - C		C = 90°		A	Solder 2.8 x 0.5 mm	<b>922F.401-W0</b>		3	0.025 kg	
		A - B		B = 60°		A	Solder 2.8 x 0.5 mm	<b>932F.401-W0</b>		4	0.025 kg	
		3 NC + 3 NO		A - C	C = 90°	A + C	Solder 2.8 x 0.5 mm	<b>913F.401-W0</b>		7	0.027 kg	
				A - C	C = 90°	A	Solder 2.8 x 0.5 mm	<b>923F.401-W0</b>		7	0.027 kg	
			A - B	B = 60°	A	Solder 2.8 x 0.5 mm	<b>933F.401-W0</b>		8	0.027 kg		

Contacts: NC = Normally closed, NO = Normally open  
 Switching action: A = Rest, B = Momentary, C = Maintained  
 The component layouts you will find from page 107

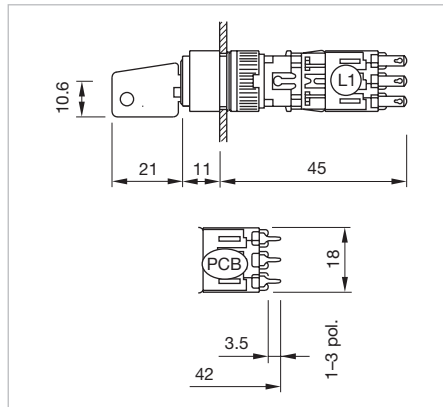


# 55 Raised design

## Keylock switch 3 positions square 24 x 24 mm



Product can differ from the current configuration.

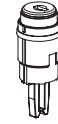


Dimensions [mm]  
L1 = Solder terminal 2.8 x 0.5 mm,  
PCB = Print terminal

### Equipment consisting of (schematic overview)



**Front cap** page 85



**Actuator**



**Fixing nut**



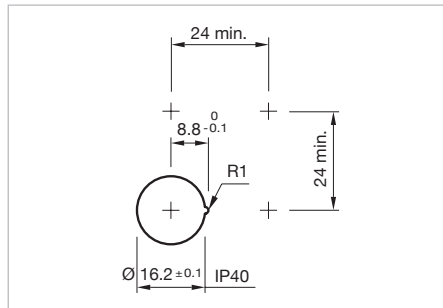
**Switching element**

Each Part Number listed below includes all the black components shown in the 3D-drawing.

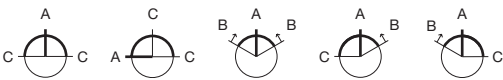
To obtain a complete unit, please select the red components from the pages shown.

### Additional Information


- Standard lock B2 300
- Further lock numbers see «Technical data»
- With IP 65 no anti-rotation device can be placed within the mounting cut-out. For rear-side mounting of the anti-rotation device, please see chapter «Accessories», Part No. 260-0020-00 or 260-0021-00



Mounting cut-outs [mm]

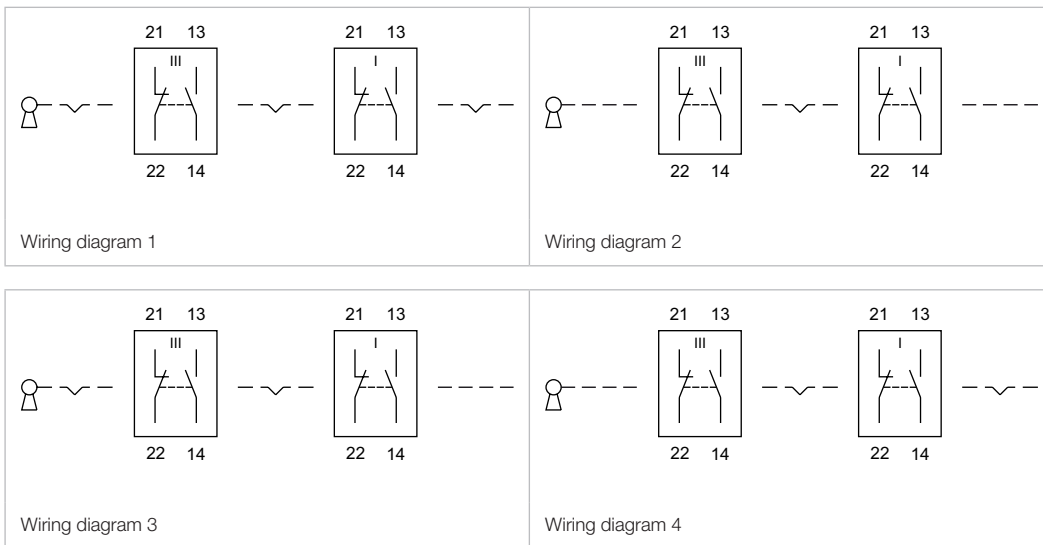


Switching positions (A = Rest, B = Momentary, C = Maintained)

Front protection	Switching system	Behind panel depth	Contacts	Switching action	Switching angle	Key remove	Terminal	Part No.	Component layout	Wiring diagram	Weight
	Snap-action switching element	42 mm	2 NC + 2 NO	C - A - C	C = 90° / 90°	C + A + C	PCB	<b>712F.401-0P</b>	1	1	0.023 kg
				A - C - C	C = 90° / 180°	A + C + C	PCB	<b>722F.401-0P</b>	1	1	0.023 kg
				B - A - B	B = 60° / 60°	A	PCB	<b>732F.401-0P</b>	1	2	0.023 kg
				B - A - C	B = 60°, C = 60°	A + C	PCB	<b>752F.401-0P</b>	1	4	0.023 kg
		45 mm	2 NC + 2 NO	C - A - C	C = 90° / 90°	C + A + C	Solder 2.8 x 0.5 mm	<b>712F.401-00</b>	1	0.023 kg	
				A - C - C	C = 90° / 180°	A + C + C	Solder 2.8 x 0.5 mm	<b>722F.401-00</b>	1	0.023 kg	
				B - A - B	B = 60° / 60°	A	Solder 2.8 x 0.5 mm	<b>732F.401-00</b>	2	0.023 kg	
				C - A - B	C = 60°, B = 60°	C + A	Solder 2.8 x 0.5 mm	<b>742F.401-00</b>	3	0.023 kg	
				B - A - C	B = 60°, C = 60°	A + C	Solder 2.8 x 0.5 mm	<b>752F.401-00</b>	4	0.023 kg	

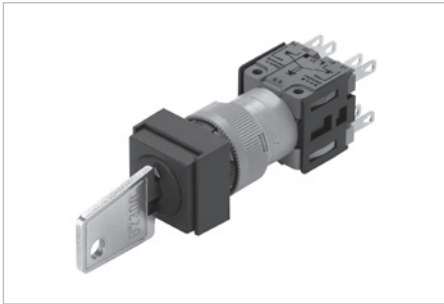
Front protection	Switching system	Behind panel depth	Contacts	Switching action	Switching angle	Key remove	Terminal	Part No.	Component layout	Wiring diagram	Weight
IP 65	Snap-action switching element	42 mm	2 NC + 2 NO	C - A - C	C = 90° / 90°	C + A + C	PCB	<b>712F.401-WP</b>	1	1	0.023 kg
				C - A - B	C = 60°, B = 60°	C + A	PCB	<b>742F.401-WP</b>	1	3	0.023 kg
		45 mm	2 NC + 2 NO	C - A - C	C = 90° / 90°	C + A + C	Solder 2.8 x 0.5 mm	<b>712F.401-WO</b>		1	0.023 kg
				A - C - C	C = 90° / 180°	A + C + C	Solder 2.8 x 0.5 mm	<b>722F.401-WO</b>		1	0.023 kg
				B - A - B	B = 60° / 60°	A	Solder 2.8 x 0.5 mm	<b>732F.401-WO</b>		2	0.023 kg
				C - A - B	C = 60°, B = 60°	C + A	Solder 2.8 x 0.5 mm	<b>742F.401-WO</b>		4	0.023 kg

Contacts: NC = Normally closed, NO = Normally open  
 Switching action: A = Rest, B = Momentary, C = Maintained  
 The component layouts you will find from page 107

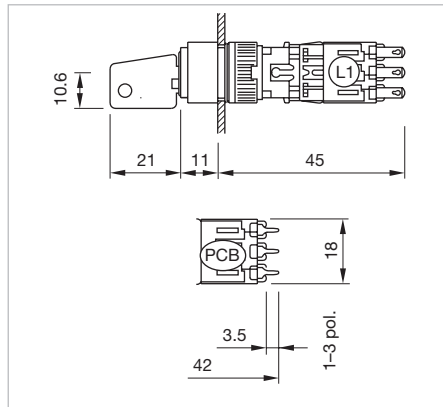


# 55 Raised design

## Keylock switch 3 positions square 18 x 18 mm



Product can differ from the current configuration.

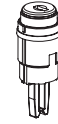


Dimensions [mm]  
L1 = Solder terminal 2.8 x 0.5 mm,  
PCB = Print terminal

### Equipment consisting of (schematic overview)



**Front cap** page 85



**Actuator**



**Fixing nut**



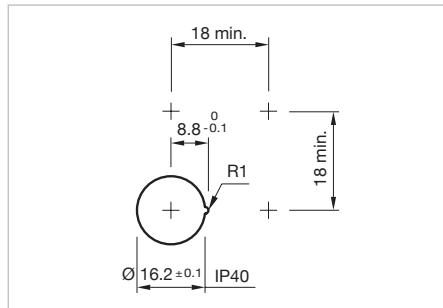
**Switching element**

Each Part Number listed below includes all the black components shown in the 3D-drawing.

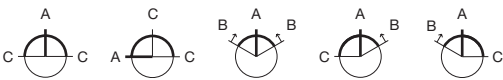
To obtain a complete unit, please select the red components from the pages shown.

### Additional Information


- For the flush design please order the additional front bezel set, see chapter «Accessories»
- Standard lock B2 300
- Further lock numbers see «Technical data»
- With IP 65 no anti-rotation device can be placed within the mounting cut-out. For rear-side mounting of the anti-rotation device, please see chapter «Accessories», Part No. 260-0020-00 or 260-0021-00



Mounting cut-outs [mm]



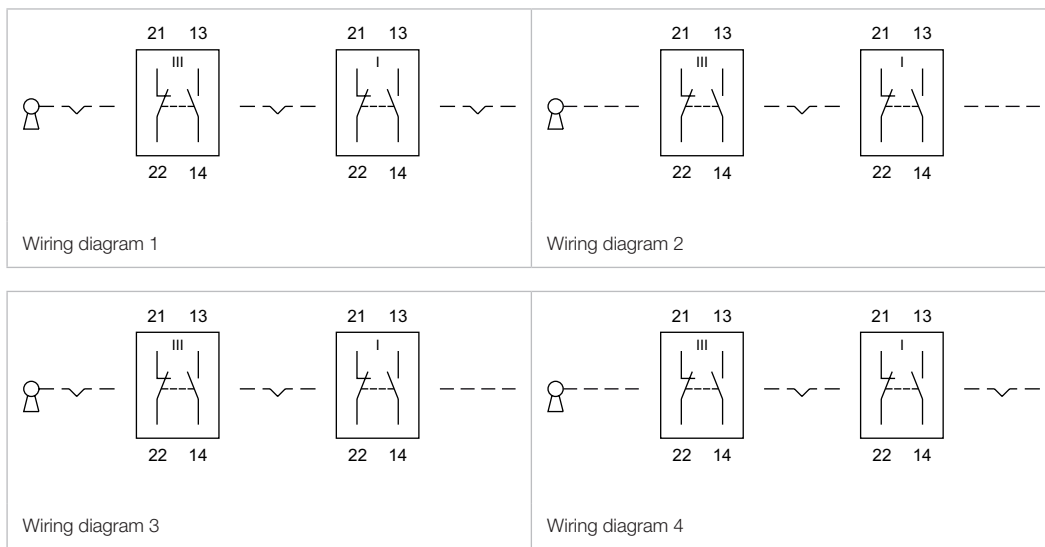
Switching positions (A = Rest, B = Momentary, C = Maintained)

Front protection	Switching system	Behind panel depth	Contacts	Switching action	Switching angle	Key remove	Terminal	Part No.	Component layout	Wiring diagram	Weight
	Snap-action switching element	42 mm	2 NC + 2 NO	C - A - C	C = 90° / 90°	C + A + C	PCB	<b>712F.401-0P</b>	1	1	0.023 kg
				A - C - C	C = 90° / 180°	A + C + C	PCB	<b>722F.401-0P</b>	1	1	0.023 kg
				B - A - B	B = 60° / 60°	A	PCB	<b>732F.401-0P</b>	1	2	0.023 kg
				B - A - C	B = 60°, C = 60°	A + C	PCB	<b>752F.401-0P</b>	1	4	0.023 kg
		45 mm	2 NC + 2 NO	C - A - C	C = 90° / 90°	C + A + C	Solder 2.8 x 0.5 mm	<b>712F.401-00</b>	1	0.023 kg	
				A - C - C	C = 90° / 180°	A + C + C	Solder 2.8 x 0.5 mm	<b>722F.401-00</b>	1	0.023 kg	
				B - A - B	B = 60° / 60°	A	Solder 2.8 x 0.5 mm	<b>732F.401-00</b>	2	0.023 kg	
				C - A - B	C = 60°, B = 60°	C + A	Solder 2.8 x 0.5 mm	<b>742F.401-00</b>	3	0.023 kg	
					B - A - C	B = 60°, C = 60°	A + C	Solder 2.8 x 0.5 mm	<b>752F.401-00</b>	4	0.023 kg



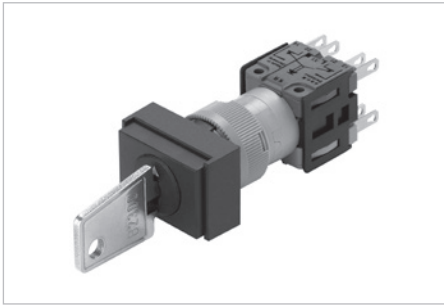
Front protection	Switching system	Behind panel depth	Contacts	Switching action	Switching angle	Key re-move	Terminal	Part No.	Component layout	Wiring diagram	Weight
IP 65	Snap-action switching element	42 mm	2 NC + 2 NO	C - A - C	C = 90° / 90°	C + A + C	PCB	<b>712F.401-WP</b>	1	1	0.023 kg
				C - A - B	C = 60°, B = 60°	C + A	PCB	<b>742F.401-WP</b>	1	3	0.023 kg
		45 mm	2 NC + 2 NO	C - A - C	C = 90° / 90°	C + A + C	Solder 2.8 x 0.5 mm	<b>712F.401-WO</b>		1	0.023 kg
				A - C - C	C = 90° / 180°	A + C + C	Solder 2.8 x 0.5 mm	<b>722F.401-WO</b>		1	0.023 kg
				B - A - B	B = 60° / 60°	A	Solder 2.8 x 0.5 mm	<b>732F.401-WO</b>		2	0.023 kg
				C - A - B	C = 60°, B = 60°	C + A	Solder 2.8 x 0.5 mm	<b>742F.401-WO</b>		3	0.023 kg

Contacts: NC = Normally closed, NO = Normally open  
 Switching action: A = Rest, B = Momentary, C = Maintained  
 The component layouts you will find from page 107

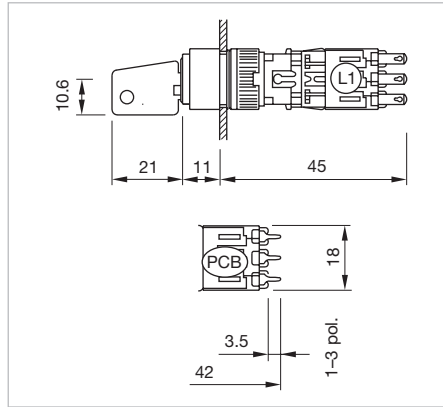


# 55 Raised design

## Keylock switch 3 positions rectangular 18 x 24 mm

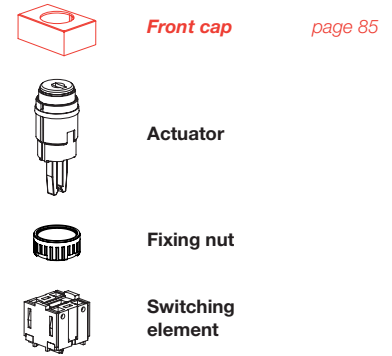


Product can differ from the current configuration.



Dimensions [mm]  
L1 = Solder terminal 2.8 x 0.5 mm,  
PCB = Print terminal

### Equipment consisting of (schematic overview)

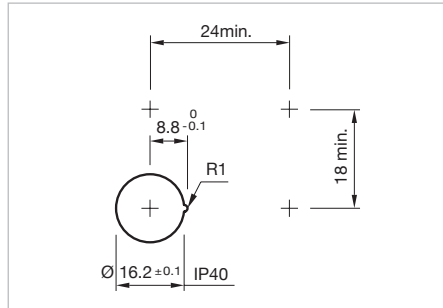


Each Part Number listed below includes all the black components shown in the 3D-drawing.

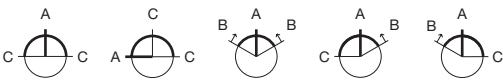
To obtain a complete unit, please select the red components from the pages shown.

### Additional Information

- For the flush design please order the additional front bezel set, see chapter «Accessories»
- Standard lock B2 300
- Further lock numbers see «Technical data»
- With IP 65 no anti-rotation device can be placed within the mounting cut-out. For rear-side mounting of the anti-rotation device, please see chapter «Accessories», Part No. 260-0020-00 or 260-0021-00



Mounting cut-outs [mm]

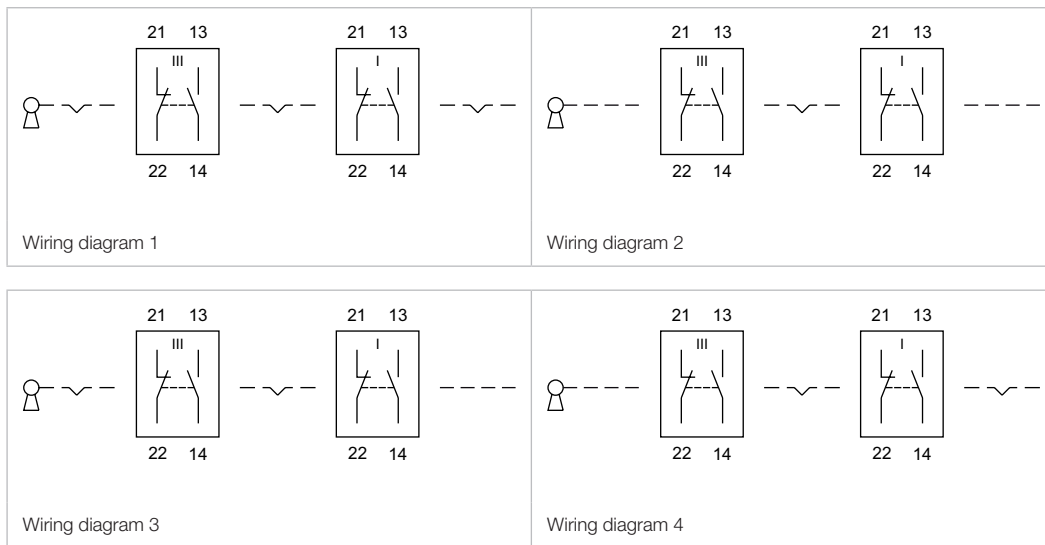


Switching positions (A = Rest, B = Momentary, C = Maintained)

Front protection	Switching system	Behind panel depth	Contacts	Switching action	Switching angle	Key remove	Terminal	Part No.	Component layout	Wiring diagram	Weight
	Snap-action switching element	42 mm	2 NC + 2 NO	C - A - C	C = 90° / 90°	C + A + C	PCB	<b>712F.401-0P</b>	1	1	0.023 kg
				A - C - C	C = 90° / 180°	A + C + C	PCB	<b>722F.401-0P</b>	1	1	0.023 kg
				B - A - B	B = 60° / 60°	A	PCB	<b>732F.401-0P</b>	1	2	0.023 kg
				B - A - C	B = 60°, C = 60°	A + C	PCB	<b>752F.401-0P</b>	1	4	0.023 kg
		45 mm	2 NC + 2 NO	C - A - C	C = 90° / 90°	C + A + C	Solder 2.8 x 0.5 mm	<b>712F.401-00</b>	1	0.023 kg	
				A - C - C	C = 90° / 180°	A + C + C	Solder 2.8 x 0.5 mm	<b>722F.401-00</b>	1	0.023 kg	
				B - A - B	B = 60° / 60°	A	Solder 2.8 x 0.5 mm	<b>732F.401-00</b>	2	0.023 kg	
				C - A - B	C = 60°, B = 60°	C + A	Solder 2.8 x 0.5 mm	<b>742F.401-00</b>	3	0.023 kg	
					B - A - C	B = 60°, C = 60°	A + C	Solder 2.8 x 0.5 mm	<b>752F.401-00</b>	4	0.023 kg

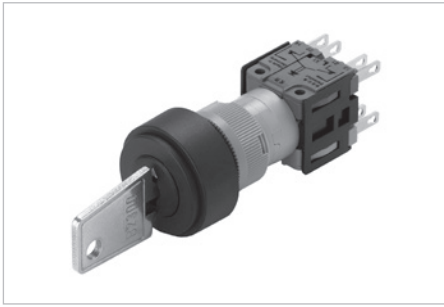
Front protection	Switching system	Behind panel depth	Contacts	Switching action	Switching angle	Key remove	Terminal	Part No.	Component layout	Wiring diagram	Weight
IP 65	Snap-action switching element	42 mm	2 NC + 2 NO	C - A - C	C = 90° / 90°	C + A + C	PCB	<b>712F.401-WP</b>	1	1	0.023 kg
				C - A - B	C = 60°, B = 60°	C + A	PCB	<b>742F.401-WP</b>	1	3	0.023 kg
		45 mm	2 NC + 2 NO	C - A - C	C = 90° / 90°	C + A + C	Solder 2.8 x 0.5 mm	<b>712F.401-WO</b>		1	0.023 kg
				A - C - C	C = 90° / 180°	A + C + C	Solder 2.8 x 0.5 mm	<b>722F.401-WO</b>		1	0.023 kg
				B - A - B	B = 60° / 60°	A	Solder 2.8 x 0.5 mm	<b>732F.401-WO</b>		2	0.023 kg
				C - A - B	C = 60°, B = 60°	C + A	Solder 2.8 x 0.5 mm	<b>742F.401-WO</b>		3	0.023 kg

Contacts: NC = Normally closed, NO = Normally open  
 Switching action: A = Rest, B = Momentary, C = Maintained  
 The component layouts you will find from page 107

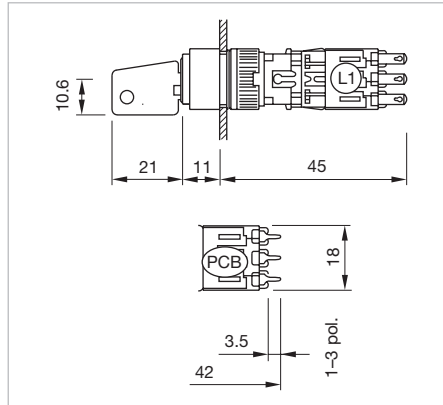


# 55 Raised design

## Keylock switch 3 positions round Ø 24 mm

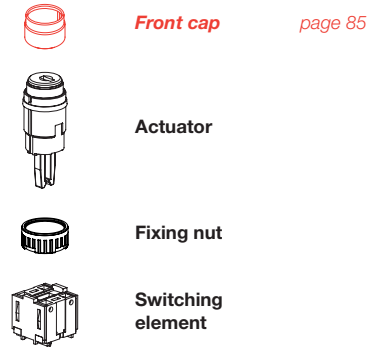


Product can differ from the current configuration.



Dimensions [mm]  
L1 = Solder terminal 2.8 x 0.5 mm,  
PCB = Print terminal

### Equipment consisting of (schematic overview)

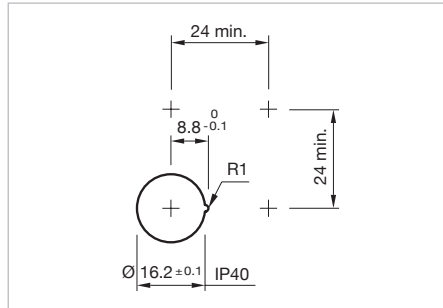


Each Part Number listed below includes all the black components shown in the 3D-drawing.

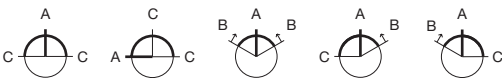
To obtain a complete unit, please select the red components from the pages shown.

### Additional Information

- Standard lock B2 300
- Further lock numbers see «Technical data»
- With IP 65 no anti-rotation device can be placed within the mounting cut-out. For rear-side mounting of the anti-rotation device, please see chapter «Accessories», Part No. 260-0020-00 or 260-0021-00



Mounting cut-outs [mm]

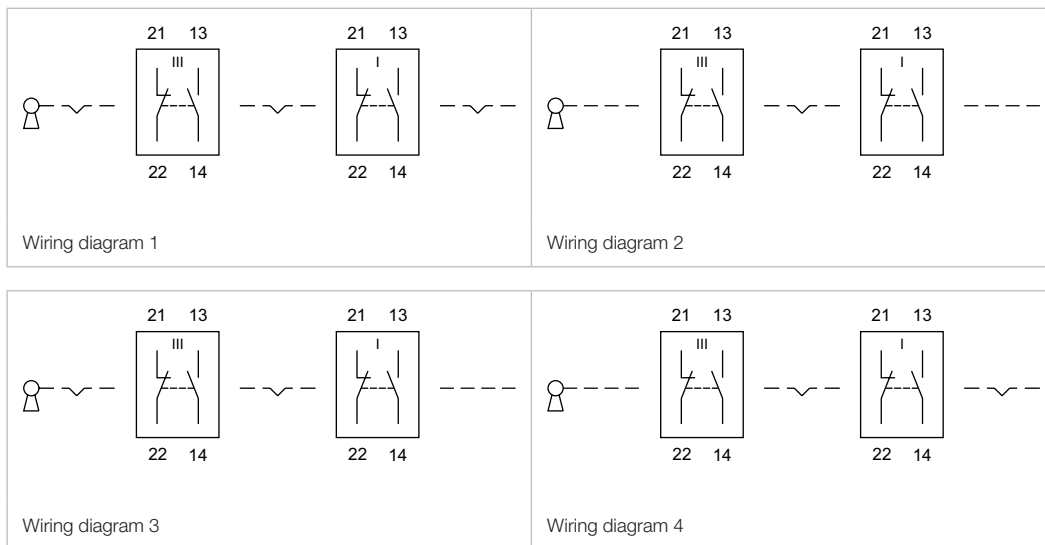


Switching positions (A = Rest, B = Momentary, C = Maintained)

Front protection	Switching system	Behind panel depth	Contacts	Switching action	Switching angle	Key remove	Terminal	Part No.	Component layout	Wiring diagram	Weight
	Snap-action switching element	42 mm	2 NC + 2 NO	C - A - C	C = 90° / 90°	C + A + C	PCB	<b>712F.401-0P</b>	1	1	0.023 kg
				A - C - C	C = 90° / 180°	A + C + C	PCB	<b>722F.401-0P</b>	1	1	0.023 kg
				B - A - B	B = 60° / 60°	A	PCB	<b>732F.401-0P</b>	1	2	0.023 kg
				B - A - C	B = 60°, C = 60°	A + C	PCB	<b>752F.401-0P</b>	1	4	0.023 kg
		45 mm	2 NC + 2 NO	C - A - C	C = 90° / 90°	C + A + C	Solder 2.8 x 0.5 mm	<b>712F.401-00</b>	1	0.023 kg	
				A - C - C	C = 90° / 180°	A + C + C	Solder 2.8 x 0.5 mm	<b>722F.401-00</b>	1	0.023 kg	
				B - A - B	B = 60° / 60°	A	Solder 2.8 x 0.5 mm	<b>732F.401-00</b>	2	0.023 kg	
				C - A - B	C = 60°, B = 60°	C + A	Solder 2.8 x 0.5 mm	<b>742F.401-00</b>	3	0.023 kg	
				B - A - C	B = 60°, C = 60°	A + C	Solder 2.8 x 0.5 mm	<b>752F.401-00</b>	4	0.023 kg	

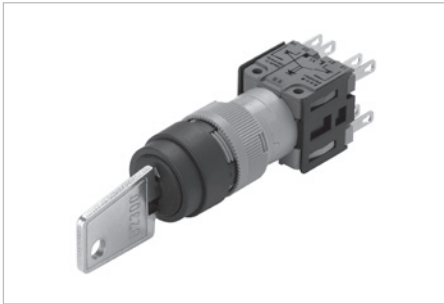
Front protection	Switching system	Behind panel depth	Contacts	Switching action	Switching angle	Key remove	Terminal	Part No.	Component layout	Wiring diagram	Weight
IP 65	Snap-action switching element	42 mm	2 NC + 2 NO	C - A - C	C = 90° / 90°	C + A + C	PCB	<b>712F.401-WP</b>	1	1	0.023 kg
			2 NC + 2 NO	C - A - B	C = 60°, B = 60°	C + A	PCB	<b>742F.401-WP</b>	1	3	0.023 kg
		45 mm	2 NC + 2 NO	C - A - C	C = 90° / 90°	C + A + C	Solder 2.8 x 0.5 mm	<b>712F.401-WO</b>		1	0.023 kg
			2 NC + 2 NO	A - C - C	C = 90° / 180°	A + C + C	Solder 2.8 x 0.5 mm	<b>722F.401-WO</b>		1	0.023 kg
			2 NC + 2 NO	B - A - B	B = 60° / 60°	A	Solder 2.8 x 0.5 mm	<b>732F.401-WO</b>		2	0.023 kg
			2 NC + 2 NO	C - A - B	C = 60°, B = 60°	C + A	Solder 2.8 x 0.5 mm	<b>742F.401-WO</b>		3	0.023 kg

Contacts: NC = Normally closed, NO = Normally open  
 Switching action: A = Rest, B = Momentary, C = Maintained  
 The component layouts you will find from page 107

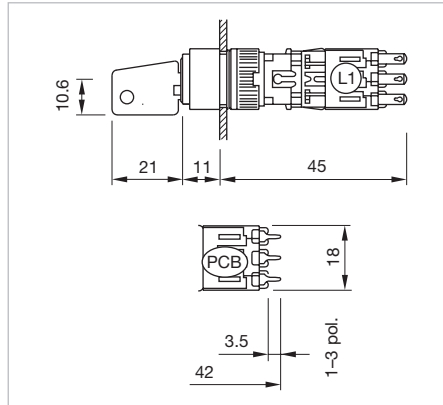


# 55 Raised design

## Keylock switch 3 positions round Ø 18 mm

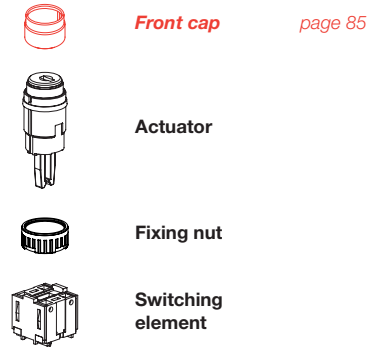


Product can differ from the current configuration.



Dimensions [mm]  
L1 = Solder terminal 2.8 x 0.5 mm,  
PCB = Print terminal

### Equipment consisting of (schematic overview)

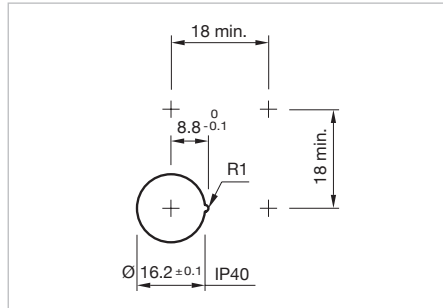


Each Part Number listed below includes all the black components shown in the 3D-drawing.

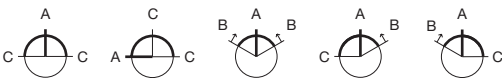
To obtain a complete unit, please select the red components from the pages shown.

### Additional Information

- For the flush design please order the additional front bezel set, see chapter «Accessories»
- Standard lock B2 300
- Further lock numbers see «Technical data»
- With IP 65 no anti-rotation device can be placed within the mounting cut-out. For rear-side mounting of the anti-rotation device, please see chapter «Accessories», Part No. 260-0020-00 or 260-0021-00



Mounting cut-outs [mm]

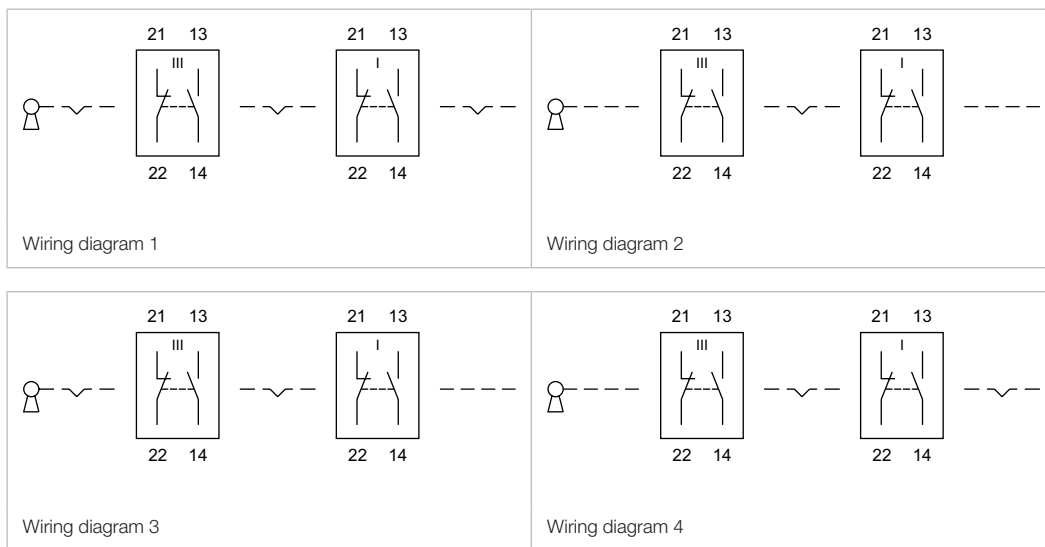


Switching positions (A = Rest, B = Momentary, C = Maintained)

Front protection	Switching system	Behind panel depth	Contacts	Switching action	Switching angle	Key remove	Terminal	Part No.	Component layout	Wiring diagram	Weight
	Snap-action switching element	42 mm	2 NC + 2 NO	C - A - C	C = 90° / 90°	C + A + C	PCB	<b>712F.401-0P</b>	1	1	0.023 kg
				A - C - C	C = 90° / 180°	A + C + C	PCB	<b>722F.401-0P</b>	1	1	0.023 kg
				B - A - B	B = 60° / 60°	A	PCB	<b>732F.401-0P</b>	1	2	0.023 kg
				B - A - C	B = 60°, C = 60°	A + C	PCB	<b>752F.401-0P</b>	1	4	0.023 kg
		45 mm	2 NC + 2 NO	C - A - C	C = 90° / 90°	C + A + C	Solder 2.8 x 0.5 mm	<b>712F.401-00</b>	1	0.023 kg	
				A - C - C	C = 90° / 180°	A + C + C	Solder 2.8 x 0.5 mm	<b>722F.401-00</b>	1	0.023 kg	
				B - A - B	B = 60° / 60°	A	Solder 2.8 x 0.5 mm	<b>732F.401-00</b>	2	0.023 kg	
				C - A - B	C = 60°, B = 60°	C + A	Solder 2.8 x 0.5 mm	<b>742F.401-00</b>	3	0.023 kg	
					B - A - C	B = 60°, C = 60°	A + C	Solder 2.8 x 0.5 mm	<b>752F.401-00</b>	4	0.023 kg

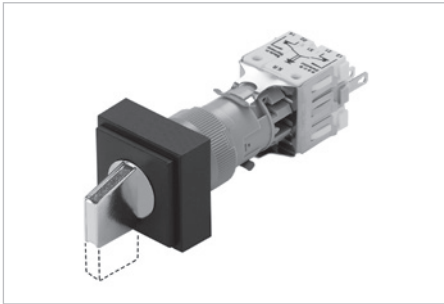
Front protection	Switching system	Behind panel depth	Contacts	Switching action	Switching angle	Key remove	Terminal	Part No.	Component layout	Wiring diagram	Weight
IP 65	Snap-action switching element	42 mm	2 NC + 2 NO	C - A - C	C = 90° / 90°	C + A + C	PCB	<b>712F.401-WP</b>	1	1	0.023 kg
				C - A - B	C = 60°, B = 60°	C + A	PCB	<b>742F.401-WP</b>	1	3	0.023 kg
		45 mm	2 NC + 2 NO	C - A - C	C = 90° / 90°	C + A + C	Solder 2.8 x 0.5 mm	<b>712F.401-WO</b>		1	0.023 kg
				A - C - C	C = 90° / 180°	A + C + C	Solder 2.8 x 0.5 mm	<b>722F.401-WO</b>		1	0.023 kg
				B - A - B	B = 60° / 60°	A	Solder 2.8 x 0.5 mm	<b>732F.401-WO</b>		2	0.023 kg
				C - A - B	C = 60°, B = 60°	C + A	Solder 2.8 x 0.5 mm	<b>742F.401-WO</b>		3	0.023 kg

Contacts: NC = Normally closed, NO = Normally open  
 Switching action: A = Rest, B = Momentary, C = Maintained  
 The component layouts you will find from page 107

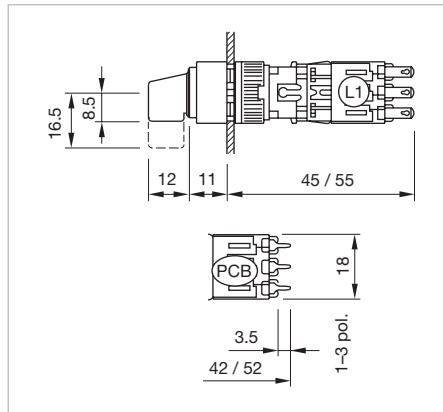


# 55 Raised design

## Selector switch 2 positions square 24 x 24 mm

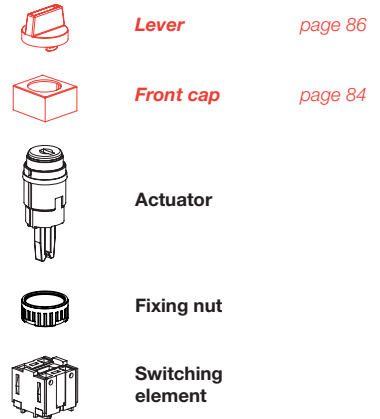


Product can differ from the current configuration.



Dimensions [mm]  
L1 = Solder terminal 2.8 x 0.5 mm,  
PCB = Print terminal

### Equipment consisting of (schematic overview)

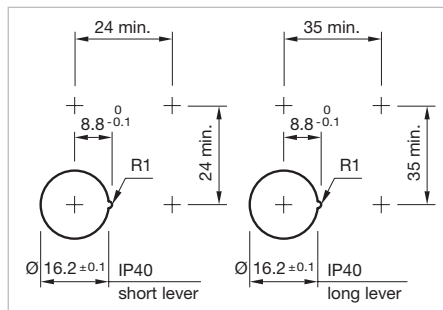


Each Part Number listed below includes all the black components shown in the 3D-drawing.

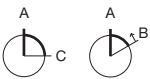
To obtain a complete unit, please select the red components from the pages shown.

### Additional Information

- With IP 65 no anti-rotation device can be placed within the mounting cut-out. For rear-side mounting of the anti-rotation device, please see chapter «Accessories», Part No. 260-0020-00 or 260-0021-00




Mounting cut-outs [mm]



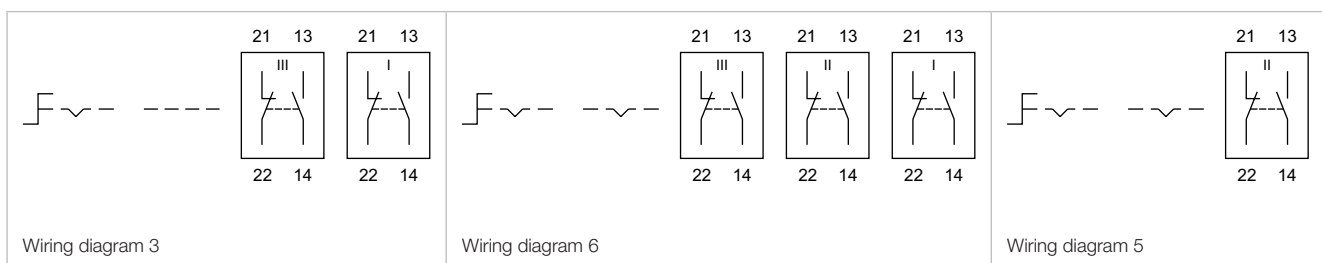
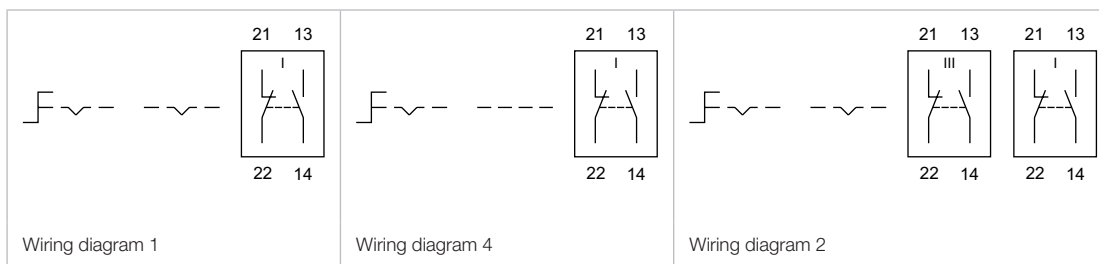
Switching positions (A = Rest, B = Momentary, C = Maintained)

Front protection	Switching system	Behind panel depth	Contacts	Switching action	Switching angle	Terminal	Part No.	Component layout	Wiring diagram	Weight
	Snap-action switching element	42 mm	1 NC + 1 NO	A - C	C = 90°	PCB	<b>761F.700-0P</b>	1	1	0.011 kg
			2 NC + 2 NO	A - C	C = 90°	PCB	<b>762F.700-0P</b>	1	2	0.012 kg
			2 NC + 2 NO	A - B	B = 60°	PCB	<b>782F.700-0P</b>	1	3	0.012 kg
		45 mm	1 NC + 1 NO	A - C	C = 90°	Solder 2.8 x 0.5 mm	<b>761F.700-00</b>	1	0.011 kg	
			2 NC + 2 NO	A - C	C = 90°	Solder 2.8 x 0.5 mm	<b>762F.700-00</b>	2	0.012 kg	
			1 NC + 1 NO	A - B	B = 60°	Solder 2.8 x 0.5 mm	<b>781F.700-00</b>	4	0.011 kg	
IP 65	Snap-action switching element	42 mm	1 NC + 1 NO	A - C	C = 90°	PCB	<b>761F.700-WP</b>	1	1	0.011 kg
			2 NC + 2 NO	A - C	C = 90°	PCB	<b>762F.700-WP</b>	1	2	0.012 kg
		45 mm	1 NC + 1 NO	A - C	C = 90°	Solder 2.8 x 0.5 mm	<b>761F.700-W0</b>	1	0.011 kg	
				A - B	B = 60°	Solder 2.8 x 0.5 mm	<b>781F.700-W0</b>	4	0.011 kg	
			2 NC + 2 NO	A - C	C = 90°	Solder 2.8 x 0.5 mm	<b>762F.700-W0</b>	2	0.012 kg	



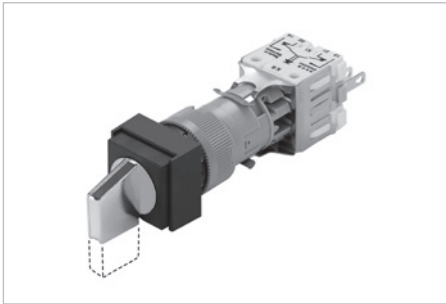
Front protection	Switching system	Behind panel depth	Contacts	Switching action	Switching angle	Terminal	Part No.	Component layout	Wiring diagram	Weight
 <p><b>Selector switch actuator 2 positions square, Front dimension 24 x 24 mm</b></p>										
IP 40	Snap-action switching element	52 mm	1 NC + 1 NO	A - C	C = 90°	PCB	<b>911F.700-OP</b>	1	5	0.013 kg
			2 NC + 2 NO	A - C	C = 90°	PCB	<b>912F.700-OP</b>	1	2	0.014 kg
			3 NC + 3 NO	A - C	C = 90°	PCB	<b>913F.700-OP</b>	1	6	0.015 kg
		55 mm	1 NC + 1 NO	A - C	C = 90°	Solder 2.8 x 0.5 mm	<b>911F.700-00</b>		5	0.013 kg
			2 NC + 2 NO	A - C	C = 90°	Solder 2.8 x 0.5 mm	<b>912F.700-00</b>		2	0.014 kg
			3 NC + 3 NO	A - C	C = 90°	Solder 2.8 x 0.5 mm	<b>913F.700-00</b>		6	0.015 kg
IP 65	Snap-action switching element	52 mm	1 NC + 1 NO	A - C	C = 90°	PCB	<b>911F.700-WP</b>	1	5	0.013 kg
		55 mm	1 NC + 1 NO	A - C	C = 90°	Solder 2.8 x 0.5 mm	<b>911F.700-W0</b>		5	0.013 kg
			2 NC + 2 NO	A - C	C = 90°	Solder 2.8 x 0.5 mm	<b>912F.700-W0</b>		2	0.014 kg
			3 NC + 3 NO	A - C	C = 90°	Solder 2.8 x 0.5 mm	<b>913F.700-W0</b>		6	0.015 kg

Contacts: NC = Normally closed, NO = Normally open  
 Switching action: A = Rest, B = Momentary, C = Maintained  
 The component layouts you will find from page 107

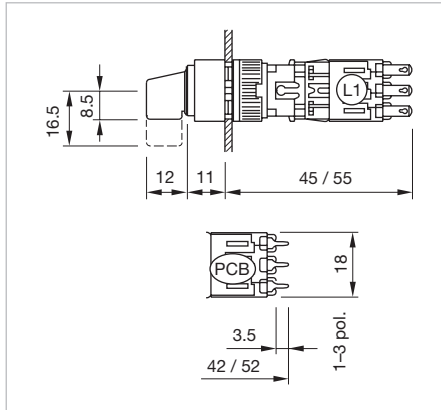


# 55 Raised design

## Selector switch 2 positions square 18 x 18 mm

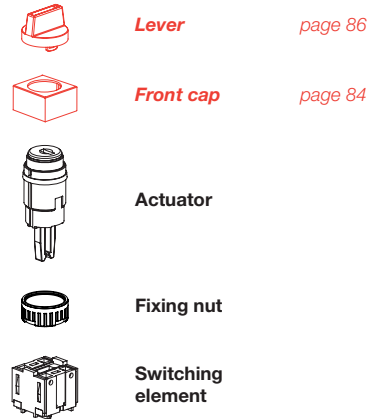


Product can differ from the current configuration.



Dimensions [mm]  
L1 = Solder terminal 2.8 x 0.5 mm,  
PCB = Print terminal

### Equipment consisting of (schematic overview)

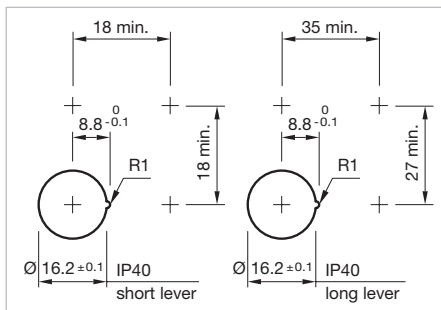


Each Part Number listed below includes all the black components shown in the 3D-drawing.

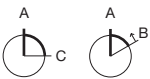
To obtain a complete unit, please select the red components from the pages shown.

### Additional Information


- For the flush design please order the additional front bezel set, see chapter «Accessories»
- With IP 65 no anti-rotation device can be placed within the mounting cut-out. For rear-side mounting of the anti-rotation device, please see chapter «Accessories», Part No. 260-0020-00 or 260-0021-00




Mounting cut-outs [mm]

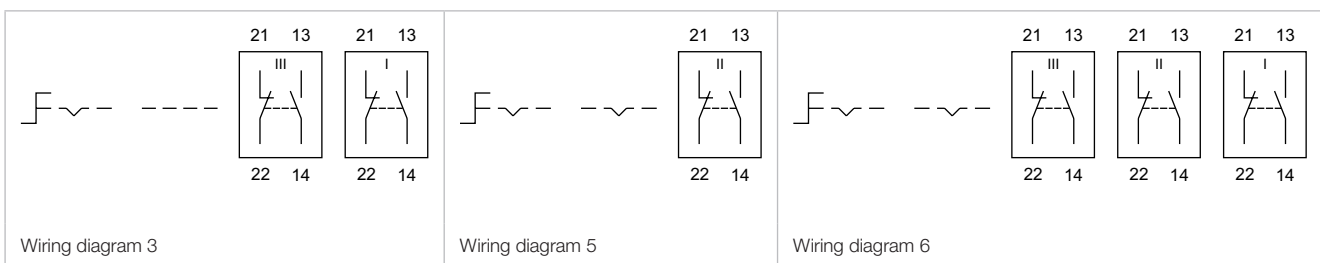
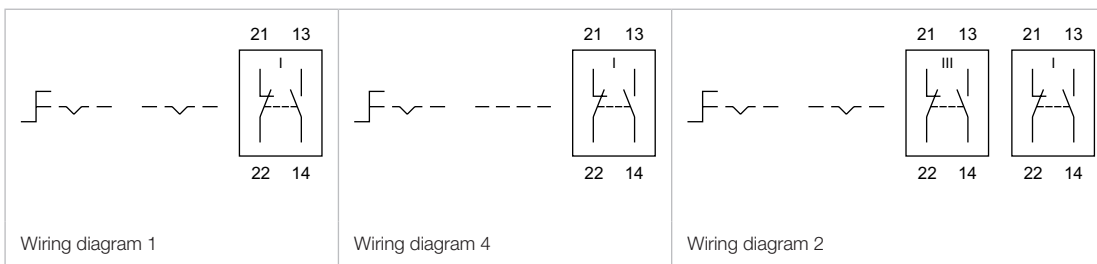


Switching positions (A = Rest, B = Momentary, C = Maintained)

Front protection	Switching system	Behind panel depth	Contacts	Switching action	Switching angle	Terminal	Part No.	Component layout	Wiring diagram	Weight	
	<b>Selector switch actuator 2 positions square, Front dimension 18 x 18 mm</b>										
	IP 40	Snap-action switching element	42 mm	1 NC + 1 NO	A - C	C = 90°	PCB	<b>761F.700-0P</b>	1	1	0.011 kg
				2 NC + 2 NO	A - C	C = 90°	PCB	<b>762F.700-0P</b>	1	2	0.012 kg
				2 NC + 2 NO	A - B	B = 60°	PCB	<b>782F.700-0P</b>	1	3	0.012 kg
			45 mm	1 NC + 1 NO	A - C	C = 90°	Solder 2.8 x 0.5 mm	<b>761F.700-00</b>		1	0.011 kg
				1 NC + 1 NO	A - B	B = 60°	Solder 2.8 x 0.5 mm	<b>781F.700-00</b>		4	0.011 kg
				2 NC + 2 NO	A - C	C = 90°	Solder 2.8 x 0.5 mm	<b>762F.700-00</b>		2	0.012 kg
IP 65	Snap-action switching element	42 mm	1 NC + 1 NO	A - C	C = 90°	PCB	<b>761F.700-WP</b>	1	1	0.011 kg	
			2 NC + 2 NO	A - C	C = 90°	PCB	<b>762F.700-WP</b>	1	2	0.012 kg	
		45 mm	1 NC + 1 NO	A - C	C = 90°	Solder 2.8 x 0.5 mm	<b>761F.700-W0</b>		1	0.011 kg	
				A - B	B = 60°	Solder 2.8 x 0.5 mm	<b>781F.700-W0</b>		4	0.011 kg	
			2 NC + 2 NO	A - C	C = 90°	Solder 2.8 x 0.5 mm	<b>762F.700-W0</b>		2	0.012 kg	
		A - B	B = 60°	Solder 2.8 x 0.5 mm	<b>782F.700-W0</b>		3	0.012 kg			

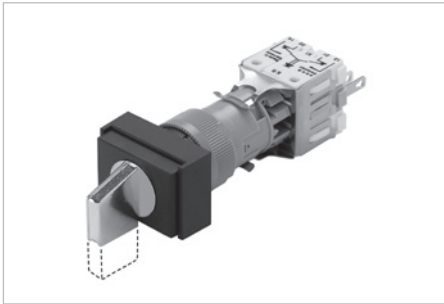
Front protection	Switching system	Behind panel depth	Contacts	Switching action	Switching angle	Terminal	Part No.	Component layout	Wiring diagram	Weight
 <p><b>Selector switch actuator 2 positions square, Front dimension 18 x 18 mm</b></p>										
IP 40	Snap-action switching element	52 mm	1 NC + 1 NO	A - C	C = 90°	PCB	<b>911F.700-0P</b>	1	5	0.013 kg
			2 NC + 2 NO	A - C	C = 90°	PCB	<b>912F.700-0P</b>	1	2	0.014 kg
			3 NC + 3 NO	A - C	C = 90°	PCB	<b>913F.700-0P</b>	1	6	0.015 kg
		55 mm	1 NC + 1 NO	A - C	C = 90°	Solder 2.8 x 0.5 mm	<b>911F.700-00</b>		5	0.013 kg
			2 NC + 2 NO	A - C	C = 90°	Solder 2.8 x 0.5 mm	<b>912F.700-00</b>		2	0.014 kg
			3 NC + 3 NO	A - C	C = 90°	Solder 2.8 x 0.5 mm	<b>913F.700-00</b>		6	0.015 kg
IP 65	Snap-action switching element	52 mm	1 NC + 1 NO	A - C	C = 90°	PCB	<b>911F.700-WP</b>	1	5	0.013 kg
		55 mm	1 NC + 1 NO	A - C	C = 90°	Solder 2.8 x 0.5 mm	<b>911F.700-W0</b>		5	0.013 kg
			2 NC + 2 NO	A - C	C = 90°	Solder 2.8 x 0.5 mm	<b>912F.700-W0</b>		2	0.014 kg
			3 NC + 3 NO	A - C	C = 90°	Solder 2.8 x 0.5 mm	<b>913F.700-W0</b>		6	0.015 kg

Contacts: NC = Normally closed, NO = Normally open  
 Switching action: A = Rest, B = Momentary, C = Maintained  
 The component layouts you will find from page 107

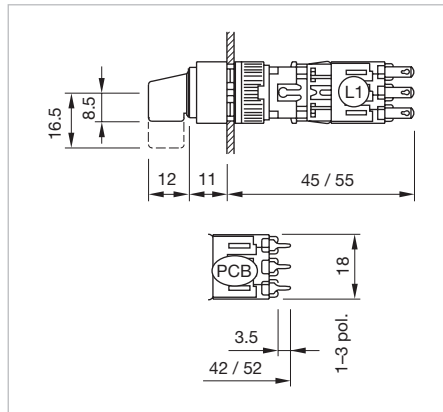


# 55 Raised design

## Selector switch 2 positions rectangular 18 x 24 mm

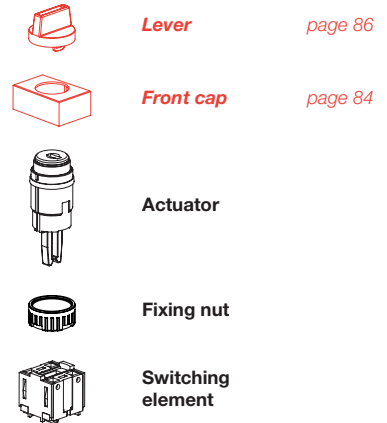


Product can differ from the current configuration.



Dimensions [mm]  
L1 = Solder terminal 2.8 x 0.5 mm,  
PCB = Print terminal

### Equipment consisting of (schematic overview)

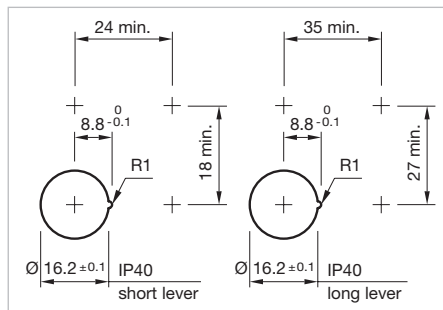


Each Part Number listed below includes all the black components shown in the 3D-drawing.

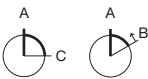
To obtain a complete unit, please select the red components from the pages shown.

### Additional Information

- For the flush design please order the additional front bezel set, see chapter «Accessories»
- With IP 65 no anti-rotation device can be placed within the mounting cut-out. For rear-side mounting of the anti-rotation device, please see chapter «Accessories», Part No. 260-0020-00 or 260-0021-00




Mounting cut-outs [mm]

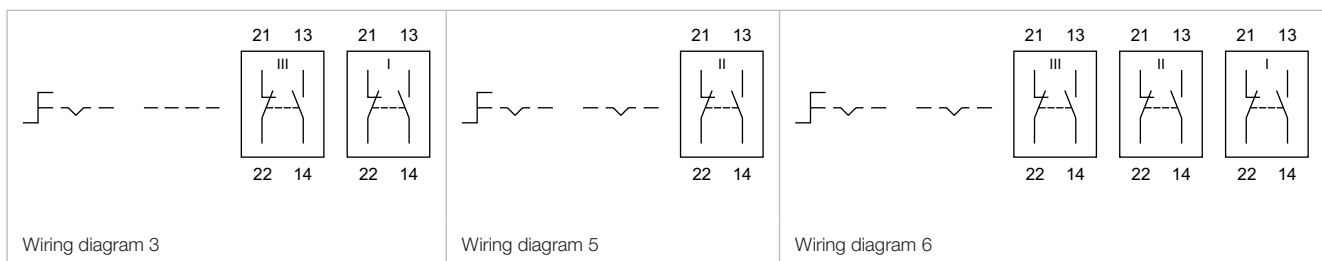
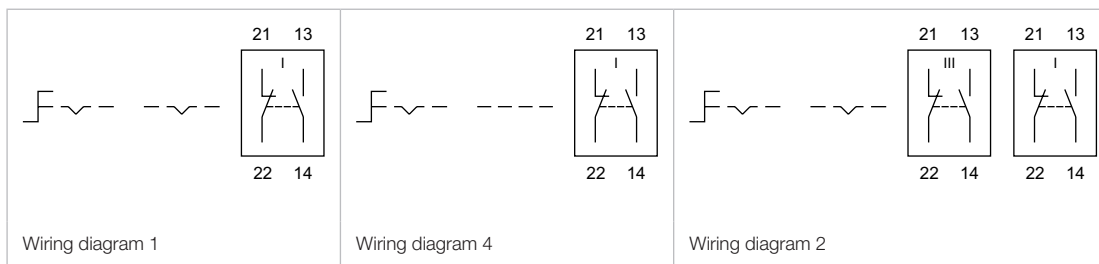


Switching positions (A = Rest, B = Momentary, C = Maintained)

Front protection	Switching system	Behind panel depth	Contacts	Switching action	Switching angle	Terminal	Part No.	Component layout	Wiring diagram	Weight
	Snap-action switching element	42 mm	1 NC + 1 NO	A - C	C = 90°	PCB	<b>761F.700-0P</b>	1	1	0.011 kg
			2 NC + 2 NO	A - C	C = 90°	PCB	<b>762F.700-0P</b>	1	2	0.012 kg
				A - B	B = 60°	PCB	<b>782F.700-0P</b>	1	3	0.012 kg
		45 mm	1 NC + 1 NO	A - C	C = 90°	Solder 2.8 x 0.5 mm	<b>761F.700-00</b>		1	0.011 kg
				A - B	B = 60°	Solder 2.8 x 0.5 mm	<b>781F.700-00</b>		4	0.011 kg
			2 NC + 2 NO	A - C	C = 90°	Solder 2.8 x 0.5 mm	<b>762F.700-00</b>		2	0.012 kg
IP 65	Snap-action switching element	42 mm	1 NC + 1 NO	A - C	C = 90°	PCB	<b>761F.700-WP</b>	1	1	0.011 kg
			2 NC + 2 NO	A - C	C = 90°	PCB	<b>762F.700-WP</b>	1	2	0.012 kg
		45 mm	1 NC + 1 NO	A - C	C = 90°	Solder 2.8 x 0.5 mm	<b>761F.700-W0</b>		1	0.011 kg
				A - B	B = 60°	Solder 2.8 x 0.5 mm	<b>781F.700-W0</b>		4	0.011 kg
			2 NC + 2 NO	A - C	C = 90°	Solder 2.8 x 0.5 mm	<b>762F.700-W0</b>		2	0.012 kg
				A - B	B = 60°	Solder 2.8 x 0.5 mm	<b>782F.700-W0</b>		3	0.012 kg

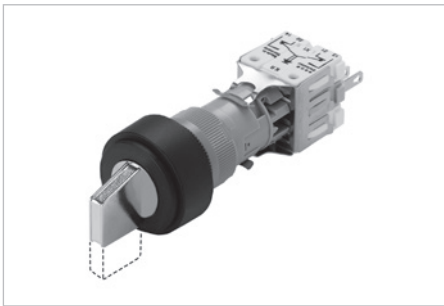
Front protection	Switching system	Behind panel depth	Contacts	Switching action	Switching angle	Terminal	Part No.	Component layout	Wiring diagram	Weight
 <p><b>Selector switch actuator 2 positions rectangular, Front dimension 18 x 24 mm</b></p>										
IP 40	Snap-action switching element	52 mm	1 NC + 1 NO	A - C	C = 90°	PCB	<b>911F.700-0P</b>	1	5	0.013 kg
			2 NC + 2 NO	A - C	C = 90°	PCB	<b>912F.700-0P</b>	1	2	0.014 kg
			3 NC + 3 NO	A - C	C = 90°	PCB	<b>913F.700-0P</b>	1	6	0.015 kg
		55 mm	1 NC + 1 NO	A - C	C = 90°	Solder 2.8 x 0.5 mm	<b>911F.700-00</b>		5	0.013 kg
			2 NC + 2 NO	A - C	C = 90°	Solder 2.8 x 0.5 mm	<b>912F.700-00</b>		2	0.014 kg
			3 NC + 3 NO	A - C	C = 90°	Solder 2.8 x 0.5 mm	<b>913F.700-00</b>		6	0.015 kg
IP 65	Snap-action switching element	52 mm	1 NC + 1 NO	A - C	C = 90°	PCB	<b>911F.700-WP</b>	1	5	0.013 kg
			55 mm	1 NC + 1 NO	A - C	C = 90°	Solder 2.8 x 0.5 mm	<b>911F.700-W0</b>		5
		55 mm	2 NC + 2 NO	A - C	C = 90°	Solder 2.8 x 0.5 mm	<b>912F.700-W0</b>		2	0.014 kg
			3 NC + 3 NO	A - C	C = 90°	Solder 2.8 x 0.5 mm	<b>913F.700-W0</b>		6	0.015 kg

Contacts: NC = Normally closed, NO = Normally open  
 Switching action: A = Rest, B = Momentary, C = Maintained  
 The component layouts you will find from page 107

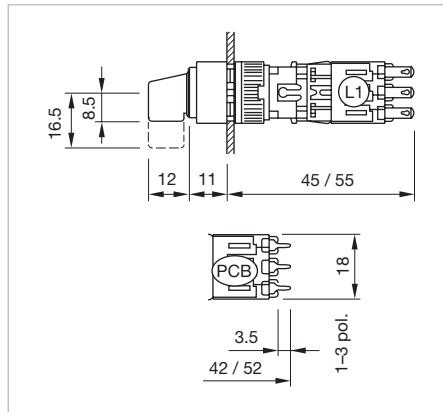


# 55 Raised design

## Selector switch 2 positions round Ø 24 mm

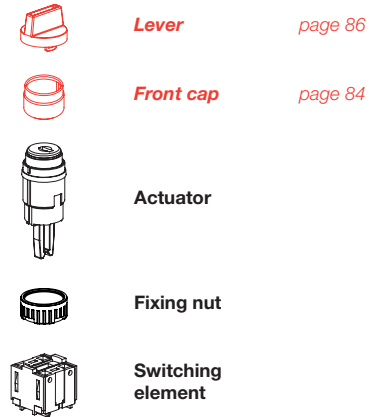


Product can differ from the current configuration.



Dimensions [mm]  
L1 = Solder terminal 2.8 x 0.5 mm,  
PCB = Print terminal

### Equipment consisting of (schematic overview)

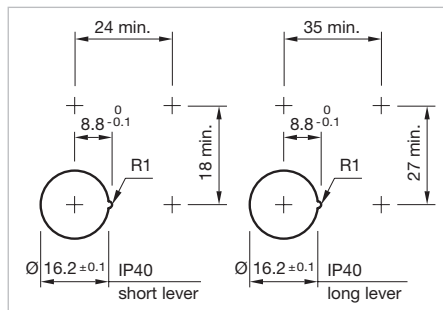


Each Part Number listed below includes all the black components shown in the 3D-drawing.

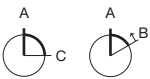
To obtain a complete unit, please select the red components from the pages shown.

### Additional Information

- With IP 65 no anti-rotation device can be placed within the mounting cut-out. For rear-side mounting of the anti-rotation device, please see chapter «Accessories», Part No. 260-0020-00 or 260-0021-00




Mounting cut-outs [mm]

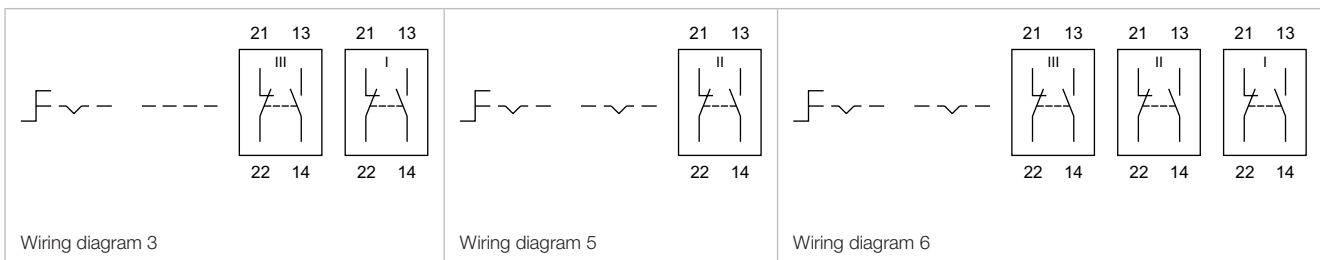
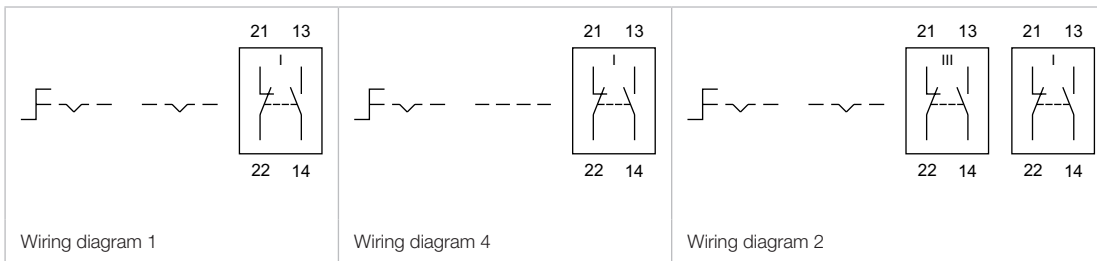


Switching positions (A = Rest, B = Momentary, C = Maintained)

Front protection	Switching system	Behind panel depth	Contacts	Switching action	Switching angle	Terminal	Part No.	Component layout	Wiring diagram	Weight
	Snap-action switching element	42 mm	1 NC + 1 NO	A - C	C = 90°	PCB	<b>761F.700-0P</b>	1	1	0.011 kg
			2 NC + 2 NO	A - C	C = 90°	PCB	<b>762F.700-0P</b>	1	2	0.012 kg
				A - B	B = 60°	PCB	<b>782F.700-0P</b>	1	3	0.012 kg
		45 mm	1 NC + 1 NO	A - C	C = 90°	Solder 2.8 x 0.5 mm	<b>761F.700-00</b>		1	0.011 kg
				A - B	B = 60°	Solder 2.8 x 0.5 mm	<b>781F.700-00</b>		4	0.011 kg
			2 NC + 2 NO	A - C	C = 90°	Solder 2.8 x 0.5 mm	<b>762F.700-00</b>		2	0.012 kg
		A - B	B = 60°	Solder 2.8 x 0.5 mm	<b>782F.700-00</b>		3	0.012 kg		
IP 65	Snap-action switching element	42 mm	1 NC + 1 NO	A - C	C = 90°	PCB	<b>761F.700-WP</b>	1	1	0.011 kg
			2 NC + 2 NO	A - C	C = 90°	PCB	<b>762F.700-WP</b>	1	2	0.012 kg
		45 mm	1 NC + 1 NO	A - C	C = 90°	Solder 2.8 x 0.5 mm	<b>761F.700-W0</b>		1	0.011 kg
				A - B	B = 60°	Solder 2.8 x 0.5 mm	<b>781F.700-W0</b>		4	0.011 kg
			2 NC + 2 NO	A - C	C = 90°	Solder 2.8 x 0.5 mm	<b>762F.700-W0</b>		2	0.012 kg
				A - B	B = 60°	Solder 2.8 x 0.5 mm	<b>782F.700-W0</b>		3	0.012 kg

Front protection	Switching system	Behind panel depth	Contacts	Switching action	Switching angle	Terminal	Part No.	Component layout	Wiring diagram	Weight
 <p><b>Selector switch actuator 2 positions round, Front dimension Ø 24 mm</b></p>										
IP 40	Snap-action switching element	52 mm	1 NC + 1 NO	A - C	C = 90°	PCB	<b>911F.700-0P</b>	1	5	0.013 kg
			2 NC + 2 NO	A - C	C = 90°	PCB	<b>912F.700-0P</b>	1	2	0.014 kg
			3 NC + 3 NO	A - C	C = 90°	PCB	<b>913F.700-0P</b>	1	6	0.015 kg
		55 mm	1 NC + 1 NO	A - C	C = 90°	Solder 2.8 x 0.5 mm	<b>911F.700-00</b>		5	0.013 kg
			2 NC + 2 NO	A - C	C = 90°	Solder 2.8 x 0.5 mm	<b>912F.700-00</b>		2	0.014 kg
			3 NC + 3 NO	A - C	C = 90°	Solder 2.8 x 0.5 mm	<b>913F.700-00</b>		6	0.015 kg
IP 65	Snap-action switching element	52 mm	1 NC + 1 NO	A - C	C = 90°	PCB	<b>911F.700-WP</b>	1	5	0.013 kg
			55 mm	1 NC + 1 NO	A - C	C = 90°	Solder 2.8 x 0.5 mm	<b>911F.700-W0</b>		5
		55 mm	2 NC + 2 NO	A - C	C = 90°	Solder 2.8 x 0.5 mm	<b>912F.700-W0</b>		2	0.014 kg
			3 NC + 3 NO	A - C	C = 90°	Solder 2.8 x 0.5 mm	<b>913F.700-W0</b>		6	0.015 kg

Contacts: NC = Normally closed, NO = Normally open  
 Switching action: A = Rest, B = Momentary, C = Maintained  
 The component layouts you will find from page 107

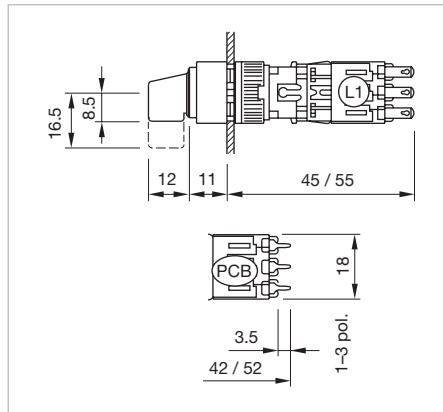


# 55 Raised design

## Selector switch 2 positions round Ø 18 mm

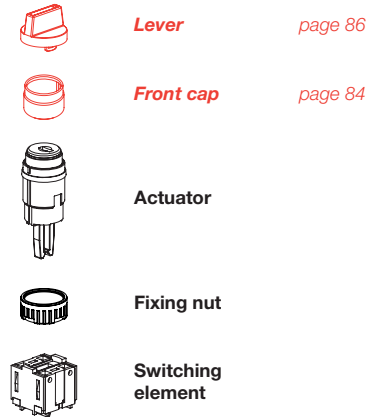


Product can differ from the current configuration.



Dimensions [mm]  
L1 = Solder terminal 2.8 x 0.5 mm,  
PCB = Print terminal

### Equipment consisting of (schematic overview)

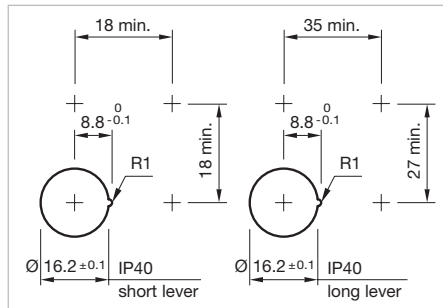


Each Part Number listed below includes all the black components shown in the 3D-drawing.

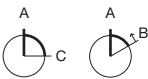
To obtain a complete unit, please select the red components from the pages shown.

### Additional Information


- For the flush design please order the additional front bezel set, see chapter «Accessories»
- With IP 65 no anti-rotation device can be placed within the mounting cut-out. For rear-side mounting of the anti-rotation device, please see chapter «Accessories», Part No. 260-0020-00 or 260-0021-00




Mounting cut-outs [mm]



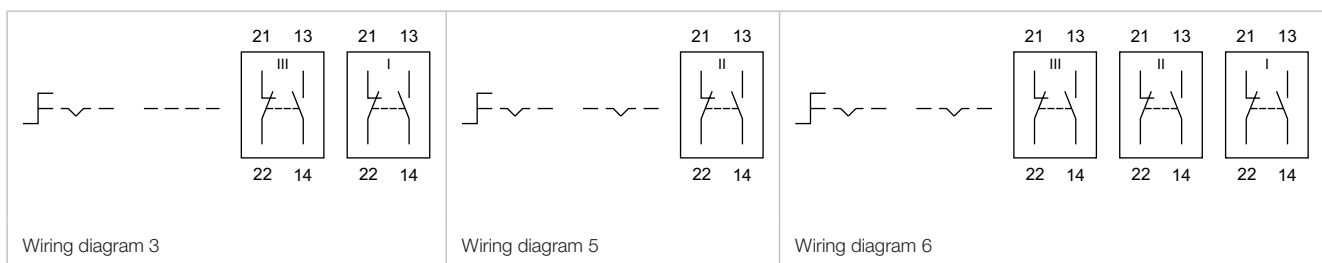
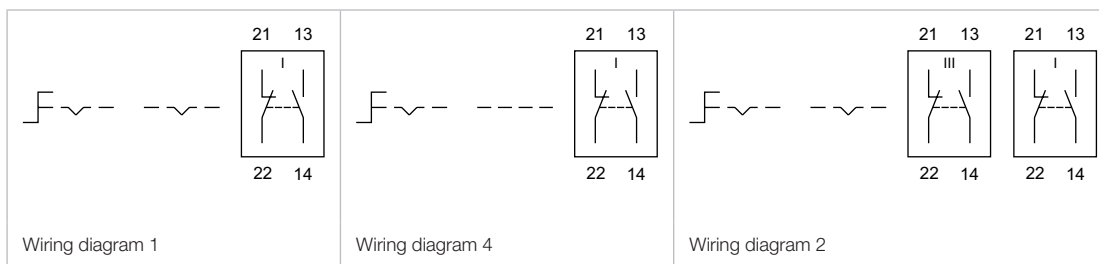
Switching positions (A = Rest, B = Momentary, C = Maintained)

Front protection	Switching system	Behind panel depth	Contacts	Switching action	Switching angle	Terminal	Part No.	Component layout	Wiring diagram	Weight
	Snap-action switching element	42 mm	1 NC + 1 NO	A - C	C = 90°	PCB	<b>761F.700-0P</b>	1	1	0.011 kg
			2 NC + 2 NO	A - C	C = 90°	PCB	<b>762F.700-0P</b>	1	2	0.012 kg
				A - B	B = 60°	PCB	<b>782F.700-0P</b>	1	3	0.012 kg
		45 mm	1 NC + 1 NO	A - C	C = 90°	Solder 2.8 x 0.5 mm	<b>761F.700-00</b>	1	0.011 kg	
				A - B	B = 60°	Solder 2.8 x 0.5 mm	<b>781F.700-00</b>	4	0.011 kg	
			2 NC + 2 NO	A - C	C = 90°	Solder 2.8 x 0.5 mm	<b>762F.700-00</b>	2	0.012 kg	
		A - B	B = 60°	Solder 2.8 x 0.5 mm	<b>782F.700-00</b>	3	0.012 kg			
IP 65	Snap-action switching element	42 mm	1 NC + 1 NO	A - C	C = 90°	PCB	<b>761F.700-WP</b>	1	1	0.011 kg
			2 NC + 2 NO	A - C	C = 90°	PCB	<b>762F.700-WP</b>	1	2	0.012 kg
		45 mm	1 NC + 1 NO	A - C	C = 90°	Solder 2.8 x 0.5 mm	<b>761F.700-W0</b>	1	0.011 kg	
				A - B	B = 60°	Solder 2.8 x 0.5 mm	<b>781F.700-W0</b>	4	0.011 kg	
			2 NC + 2 NO	A - C	C = 90°	Solder 2.8 x 0.5 mm	<b>762F.700-W0</b>	2	0.012 kg	
				A - B	B = 60°	Solder 2.8 x 0.5 mm	<b>782F.700-W0</b>	3	0.012 kg	



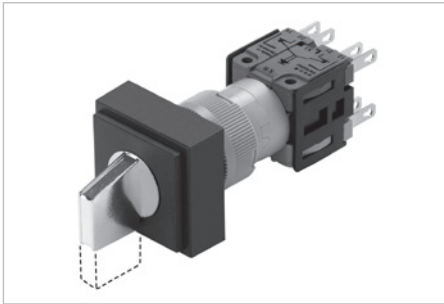
Front protection	Switching system	Behind panel depth	Contacts	Switching action	Switching angle	Terminal	Part No.	Component layout	Wiring diagram	Weight
 <p><b>Selector switch actuator 2 positions round, Front dimension Ø 18 mm</b></p>										
IP 40	Snap-action switching element	52 mm	1 NC + 1 NO	A - C	C = 90°	PCB	<b>911F.700-0P</b>	1	5	0.013 kg
			2 NC + 2 NO	A - C	C = 90°	PCB	<b>912F.700-0P</b>	1	2	0.014 kg
			3 NC + 3 NO	A - C	C = 90°	PCB	<b>913F.700-0P</b>	1	6	0.015 kg
		55 mm	1 NC + 1 NO	A - C	C = 90°	Solder 2.8 x 0.5 mm	<b>911F.700-00</b>		5	0.013 kg
			2 NC + 2 NO	A - C	C = 90°	Solder 2.8 x 0.5 mm	<b>912F.700-00</b>		2	0.014 kg
			3 NC + 3 NO	A - C	C = 90°	Solder 2.8 x 0.5 mm	<b>913F.700-00</b>		6	0.015 kg
IP 65	Snap-action switching element	52 mm	1 NC + 1 NO	A - C	C = 90°	PCB	<b>911F.700-WP</b>	1	5	0.013 kg
			55 mm	1 NC + 1 NO	A - C	C = 90°	Solder 2.8 x 0.5 mm	<b>911F.700-W0</b>		5
		55 mm	2 NC + 2 NO	A - C	C = 90°	Solder 2.8 x 0.5 mm	<b>912F.700-W0</b>		2	0.014 kg
			3 NC + 3 NO	A - C	C = 90°	Solder 2.8 x 0.5 mm	<b>913F.700-W0</b>		6	0.015 kg

Contacts: NC = Normally closed, NO = Normally open  
 Switching action: A = Rest, B = Momentary, C = Maintained  
 The component layouts you will find from page 107

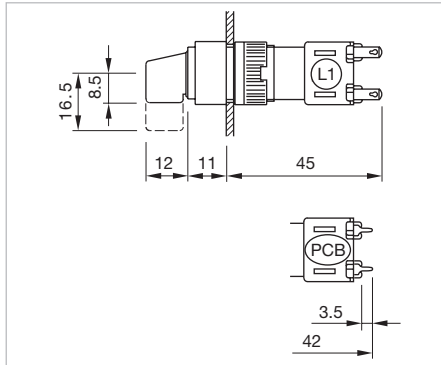


# 55 Raised design

## Selector switch 3 positions square 24 x 24 mm

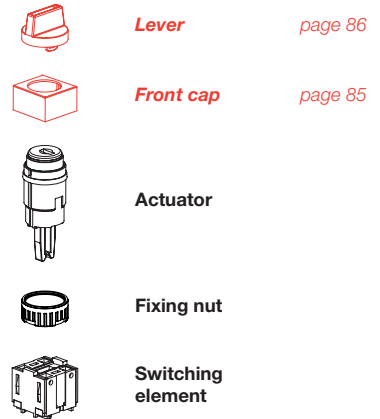


Product can differ from the current configuration.



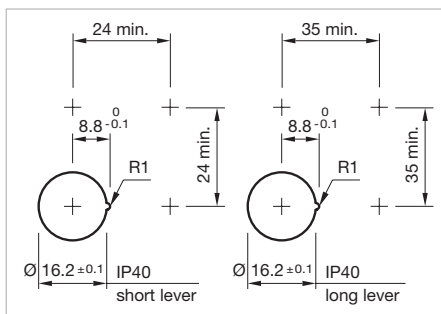
Dimensions [mm]  
L1 = Solder terminal 2.8 x 0.5 mm,  
PCB = Print terminal

### Equipment consisting of (schematic overview)



### Additional Information

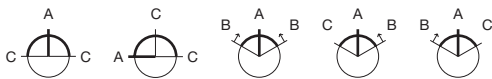
- With IP 65 no anti-rotation device can be placed within the mounting cut-out. For rear-side mounting of the anti-rotation device, please see chapter «Accessories», Part No. 260-0020-00 or 260-0021-00



Mounting cut-outs [mm]

Each Part Number listed below includes all the black components shown in the 3D-drawing.

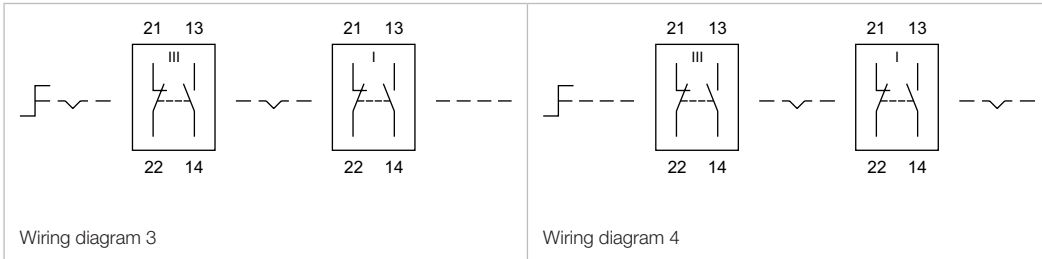
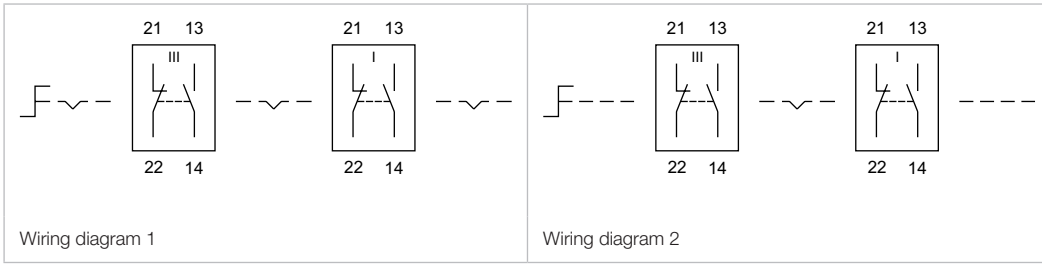
To obtain a complete unit, please select the red components from the pages shown.



Switching positions (A = Rest, B = Momentary, C = Maintained)

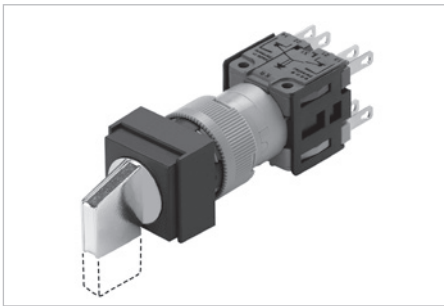
Front protection	Switching system	Behind panel depth	Contacts	Switching action	Switching angle	Terminal	Part No.	Component layout	Wiring diagram	Weight		
	Snap-action switching element	42 mm	2 NC + 2 NO	C - A - C	C = 90° / 90°	PCB	<b>712F.700-0P</b>	1	1	0.012 kg		
				C - A - B	C = 60°, B = 60°	PCB	<b>742F.700-0P</b>	1	3	0.012 kg		
		45 mm	2 NC + 2 NO	C - A - C	C = 90° / 90°	Solder 2.8 x 0.5 mm	<b>712F.700-00</b>	1	0.012 kg			
				A - C - C	C = 90° / 180°	Solder 2.8 x 0.5 mm	<b>722F.700-00</b>	1	0.012 kg			
				B - A - B	B = 60° / 60°	Solder 2.8 x 0.5 mm	<b>732F.700-00</b>	2	0.012 kg			
				C - A - B	C = 60°, B = 60°	Solder 2.8 x 0.5 mm	<b>742F.700-00</b>	3	0.012 kg			
				B - A - C	B = 60°, C = 60°	Solder 2.8 x 0.5 mm	<b>752F.700-00</b>	4	0.012 kg			
				C - A - B	C = 60°, B = 60°	Solder 2.8 x 0.5 mm	<b>742F.700-00</b>	3	0.012 kg			
		IP 65	Snap-action switching element	42 mm	2 NC + 2 NO	C - A - C	C = 90° / 90°	PCB	<b>712F.700-WP</b>	1	1	0.012 kg
						B - A - B	B = 60° / 60°	PCB	<b>732F.700-WP</b>	1	2	0.012 kg
45 mm	2 NC + 2 NO			C - A - C	C = 90° / 90°	Solder 2.8 x 0.5 mm	<b>712F.700-W0</b>	1	0.012 kg			
				A - C - C	C = 90° / 180°	Solder 2.8 x 0.5 mm	<b>722F.700-W0</b>	1	0.012 kg			
				B - A - B	B = 60° / 60°	Solder 2.8 x 0.5 mm	<b>732F.700-W0</b>	2	0.012 kg			
				C - A - B	C = 60°, B = 60°	Solder 2.8 x 0.5 mm	<b>742F.700-W0</b>	3	0.012 kg			

Contacts: NC = Normally closed, NO = Normally open  
Switching action: A = Rest, B = Momentary, C = Maintained  
The component layouts you will find from page 107

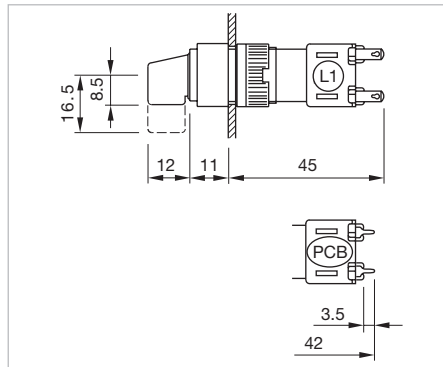


# 55 Raised design

## Selector switch 3 positions square 18 x 18 mm

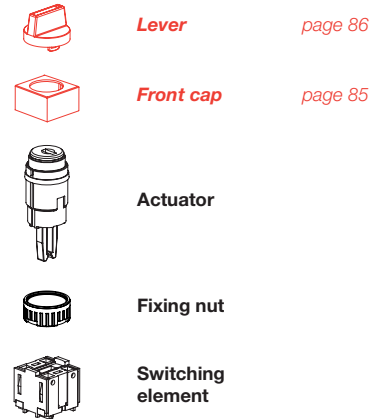


Product can differ from the current configuration.



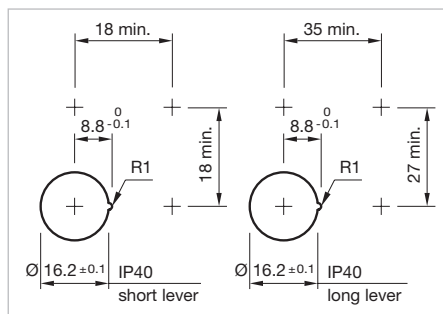
Dimensions [mm]  
L1 = Solder terminal 2.8 x 0.5 mm,  
PCB = Print terminal

### Equipment consisting of (schematic overview)



### Additional Information

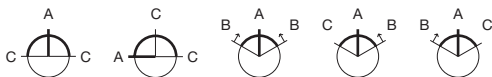
- For the flush design please order the additional front bezel set, see chapter «Accessories»
- With IP 65 no anti-rotation device can be placed within the mounting cut-out. For rear-side mounting of the anti-rotation device, please see chapter «Accessories», Part No. 260-0020-00 or 260-0021-00



Mounting cut-outs [mm]

Each Part Number listed below includes all the black components shown in the 3D-drawing.

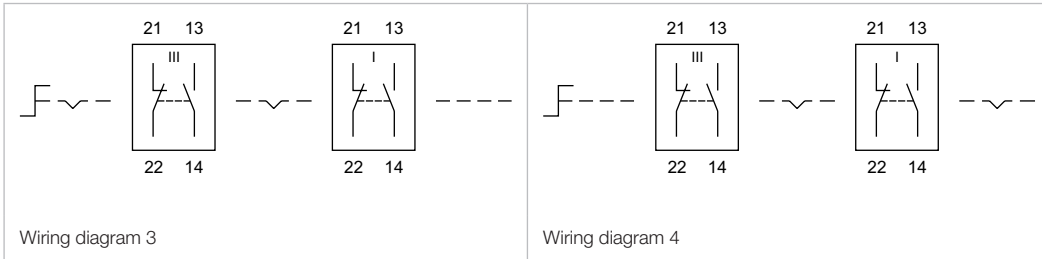
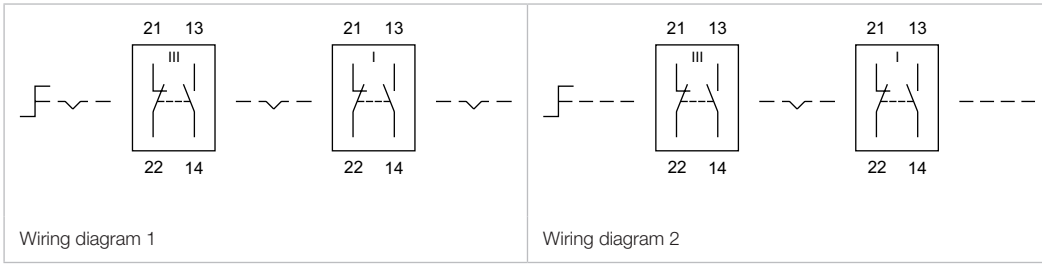
To obtain a complete unit, please select the red components from the pages shown.



Switching positions (A = Rest, B = Momentary, C = Maintained)

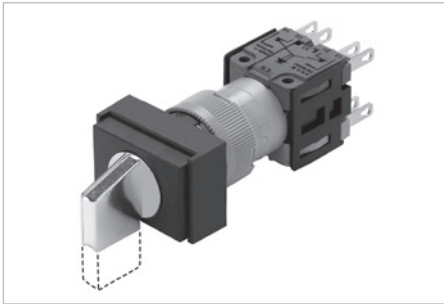
Front protection	Switching system	Behind panel depth	Contacts	Switching action	Switching angle	Terminal	Part No.	Component layout	Wiring diagram	Weight	
	Snap-action switching element	42 mm	2 NC + 2 NO	C - A - C	C = 90° / 90°	PCB	<b>712F.700-0P</b>	1	1	0.012 kg	
				C - A - B	C = 60°, B = 60°	PCB	<b>742F.700-0P</b>	1	3	0.012 kg	
		45 mm	2 NC + 2 NO	C - A - C	C = 90° / 90°	Solder 2.8 x 0.5 mm	<b>712F.700-00</b>	1	0.012 kg		
				A - C - C	C = 90° / 180°	Solder 2.8 x 0.5 mm	<b>722F.700-00</b>	1	0.012 kg		
				B - A - B	B = 60° / 60°	Solder 2.8 x 0.5 mm	<b>732F.700-00</b>	2	0.012 kg		
				C - A - B	C = 60°, B = 60°	Solder 2.8 x 0.5 mm	<b>742F.700-00</b>	3	0.012 kg		
	IP 65	Snap-action switching element	42 mm	2 NC + 2 NO	C - A - C	C = 90° / 90°	PCB	<b>712F.700-WP</b>	1	1	0.012 kg
					B - A - B	B = 60° / 60°	PCB	<b>732F.700-WP</b>	1	2	0.012 kg
			45 mm	2 NC + 2 NO	C - A - C	C = 90° / 90°	Solder 2.8 x 0.5 mm	<b>712F.700-W0</b>	1	0.012 kg	
					A - C - C	C = 90° / 180°	Solder 2.8 x 0.5 mm	<b>722F.700-W0</b>	1	0.012 kg	
					B - A - B	B = 60° / 60°	Solder 2.8 x 0.5 mm	<b>732F.700-W0</b>	2	0.012 kg	
					C - A - B	C = 60°, B = 60°	Solder 2.8 x 0.5 mm	<b>742F.700-W0</b>	3	0.012 kg	

Contacts: NC = Normally closed, NO = Normally open  
Switching action: A = Rest, B = Momentary, C = Maintained  
The component layouts you will find from page 107

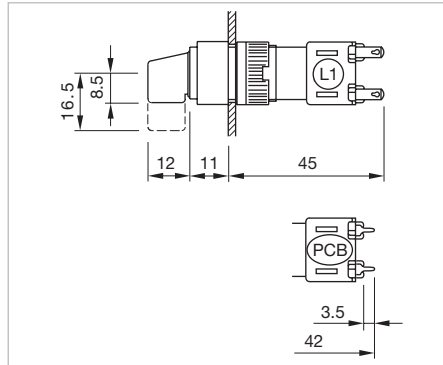


# 55 Raised design

## Selector switch 3 positions rectangular 18 x 24 mm

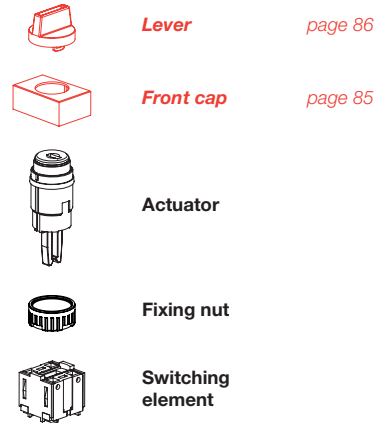


Product can differ from the current configuration.



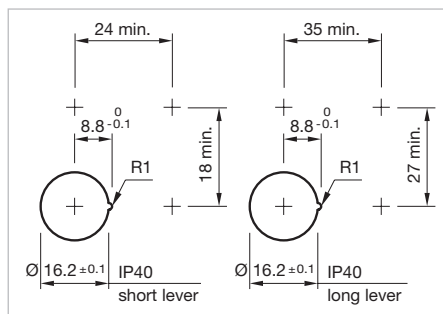
Dimensions [mm]  
L1 = Solder terminal 2.8 x 0.5 mm,  
PCB = Print terminal

### Equipment consisting of (schematic overview)



### Additional Information

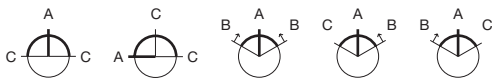
- For the flush design please order the additional front bezel set, see chapter «Accessories»
- With IP 65 no anti-rotation device can be placed within the mounting cut-out. For rear-side mounting of the anti-rotation device, please see chapter «Accessories», Part No. 260-0020-00 or 260-0021-00



Mounting cut-outs [mm]

Each Part Number listed below includes all the black components shown in the 3D-drawing.

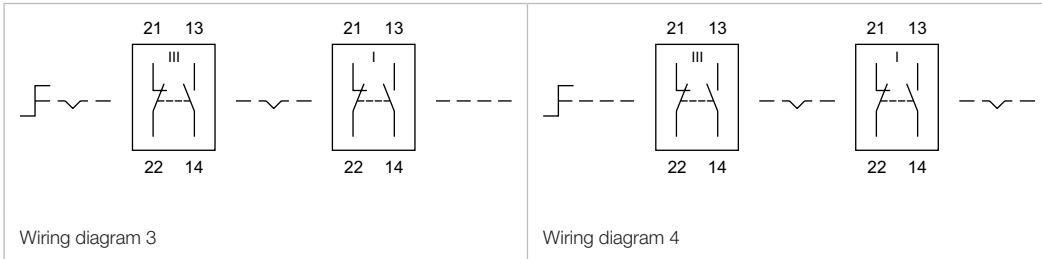
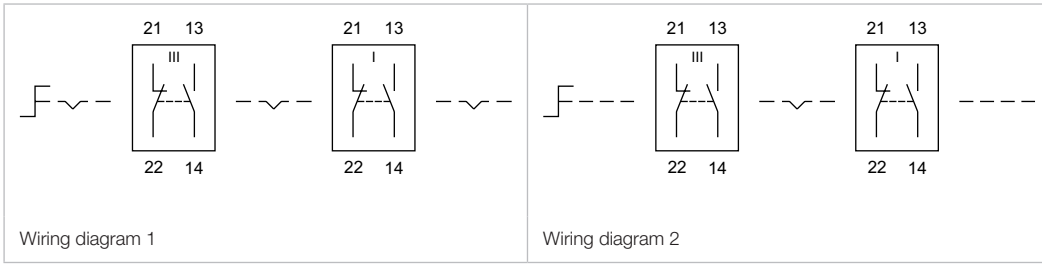
To obtain a complete unit, please select the red components from the pages shown.



Switching positions (A = Rest, B = Momentary, C = Maintained)

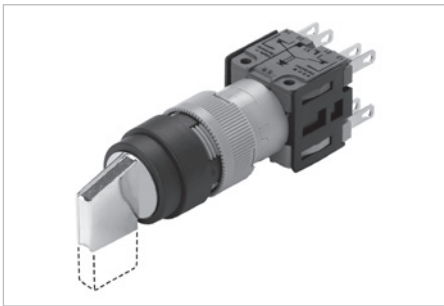
Front protection	Switching system	Behind panel depth	Contacts	Switching action	Switching angle	Terminal	Part No.	Component layout	Wiring diagram	Weight	
	Snap-action switching element	42 mm	2 NC + 2 NO	C - A - C	C = 90° / 90°	PCB	<b>712F.700-0P</b>	1	1	0.012 kg	
				C - A - B	C = 60°, B = 60°	PCB	<b>742F.700-0P</b>	1	3	0.012 kg	
		45 mm	2 NC + 2 NO	C - A - C	C = 90° / 90°	Solder 2.8 x 0.5 mm	<b>712F.700-00</b>	1	0.012 kg		
				A - C - C	C = 90° / 180°	Solder 2.8 x 0.5 mm	<b>722F.700-00</b>	1	0.012 kg		
				B - A - B	B = 60° / 60°	Solder 2.8 x 0.5 mm	<b>732F.700-00</b>	2	0.012 kg		
				C - A - B	C = 60°, B = 60°	Solder 2.8 x 0.5 mm	<b>742F.700-00</b>	3	0.012 kg		
	IP 65	Snap-action switching element	42 mm	2 NC + 2 NO	C - A - C	C = 90° / 90°	PCB	<b>712F.700-WP</b>	1	1	0.012 kg
					B - A - B	B = 60° / 60°	PCB	<b>732F.700-WP</b>	1	2	0.012 kg
			45 mm	2 NC + 2 NO	C - A - C	C = 90° / 90°	Solder 2.8 x 0.5 mm	<b>712F.700-W0</b>	1	0.012 kg	
					A - C - C	C = 90° / 180°	Solder 2.8 x 0.5 mm	<b>722F.700-W0</b>	1	0.012 kg	
					B - A - B	B = 60° / 60°	Solder 2.8 x 0.5 mm	<b>732F.700-W0</b>	2	0.012 kg	
					C - A - B	C = 60°, B = 60°	Solder 2.8 x 0.5 mm	<b>742F.700-W0</b>	3	0.012 kg	

Contacts: NC = Normally closed, NO = Normally open  
Switching action: A = Rest, B = Momentary, C = Maintained  
The component layouts you will find from page 107

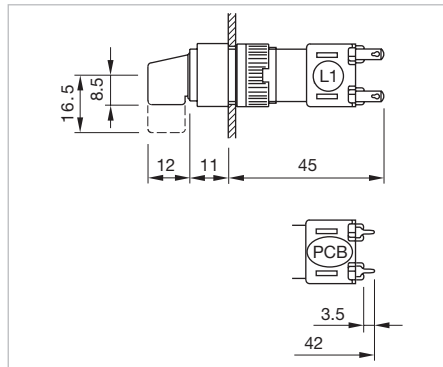


# 55 Raised design

## Selector switch 3 positions round Ø 24 mm

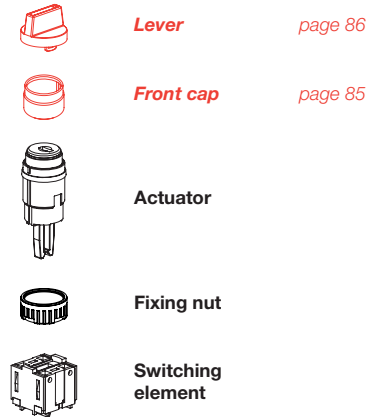


Product can differ from the current configuration.



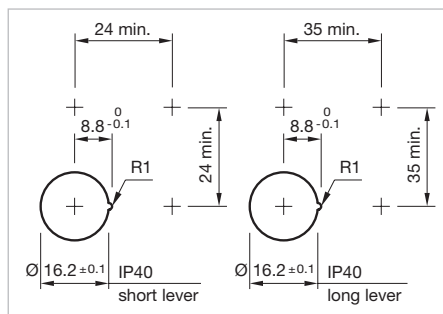
Dimensions [mm]  
L1 = Solder terminal 2.8 x 0.5 mm,  
PCB = Print terminal

### Equipment consisting of (schematic overview)



### Additional Information

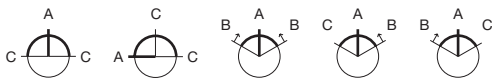
- With IP 65 no anti-rotation device can be placed within the mounting cut-out. For rear-side mounting of the anti-rotation device, please see chapter «Accessories», Part No. 260-0020-00 or 260-0021-00



Mounting cut-outs [mm]

Each Part Number listed below includes all the black components shown in the 3D-drawing.

To obtain a complete unit, please select the red components from the pages shown.

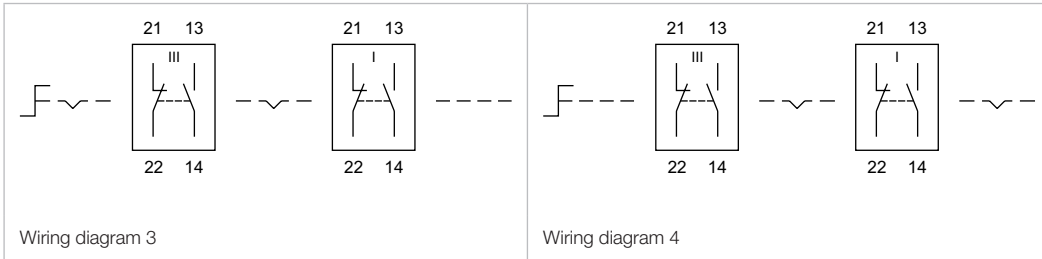
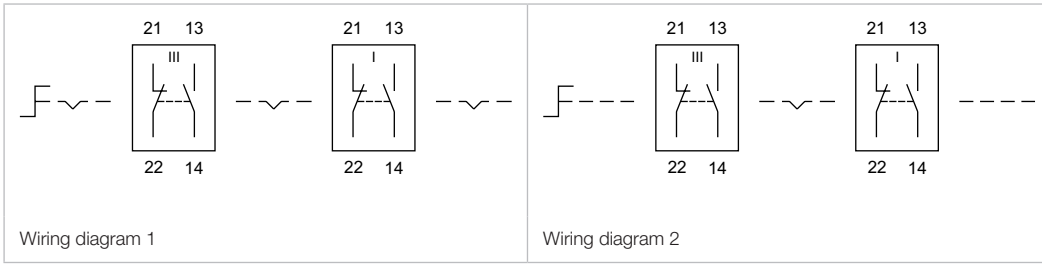


Switching positions (A = Rest, B = Momentary, C = Maintained)

Front protection	Switching system	Behind panel depth	Contacts	Switching action	Switching angle	Terminal	Part No.	Component layout	Wiring diagram	Weight		
	Snap-action switching element	42 mm	2 NC + 2 NO	C - A - C	C = 90° / 90°	PCB	<b>712F.700-0P</b>	1	1	0.012 kg		
				C - A - B	C = 60°, B = 60°	PCB	<b>742F.700-0P</b>	1	3	0.012 kg		
		45 mm	2 NC + 2 NO	C - A - C	C = 90° / 90°	Solder 2.8 x 0.5 mm	<b>712F.700-00</b>	1	0.012 kg			
				A - C - C	C = 90° / 180°	Solder 2.8 x 0.5 mm	<b>722F.700-00</b>	1	0.012 kg			
				B - A - B	B = 60° / 60°	Solder 2.8 x 0.5 mm	<b>732F.700-00</b>	2	0.012 kg			
				C - A - B	C = 60°, B = 60°	Solder 2.8 x 0.5 mm	<b>742F.700-00</b>	3	0.012 kg			
				B - A - C	B = 60°, C = 60°	Solder 2.8 x 0.5 mm	<b>752F.700-00</b>	4	0.012 kg			
				C - A - B	C = 60°, B = 60°	Solder 2.8 x 0.5 mm	<b>742F.700-00</b>	3	0.012 kg			
		IP 65	Snap-action switching element	42 mm	2 NC + 2 NO	C - A - C	C = 90° / 90°	PCB	<b>712F.700-WP</b>	1	1	0.012 kg
						B - A - B	B = 60° / 60°	PCB	<b>732F.700-WP</b>	1	2	0.012 kg
45 mm	2 NC + 2 NO			C - A - C	C = 90° / 90°	Solder 2.8 x 0.5 mm	<b>712F.700-W0</b>	1	0.012 kg			
				A - C - C	C = 90° / 180°	Solder 2.8 x 0.5 mm	<b>722F.700-W0</b>	1	0.012 kg			
				B - A - B	B = 60° / 60°	Solder 2.8 x 0.5 mm	<b>732F.700-W0</b>	2	0.012 kg			
				C - A - B	C = 60°, B = 60°	Solder 2.8 x 0.5 mm	<b>742F.700-W0</b>	3	0.012 kg			

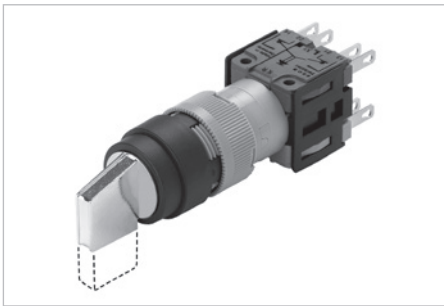
Contacts: NC = Normally closed, NO = Normally open  
Switching action: A = Rest, B = Momentary, C = Maintained  
The component layouts you will find from page 107



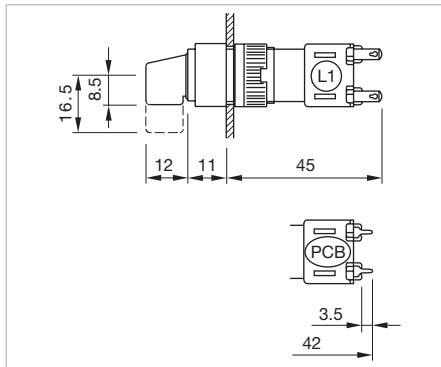


# 55 Raised design

## Selector switch 3 positions round Ø 18 mm

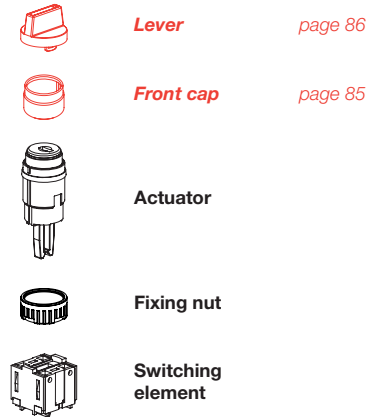


Product can differ from the current configuration.



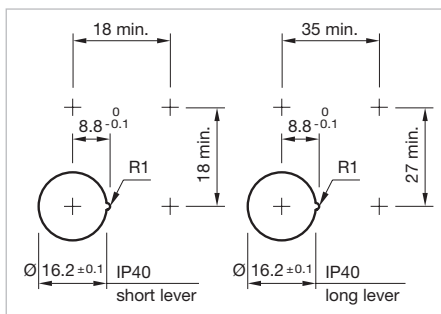
Dimensions [mm]  
L1 = Solder terminal 2.8 x 0.5 mm,  
PCB = Print terminal

### Equipment consisting of (schematic overview)



### Additional Information

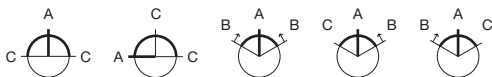
- For the flush design please order the additional front bezel set, see chapter «Accessories»
- With IP 65 no anti-rotation device can be placed within the mounting cut-out. For rear-side mounting of the anti-rotation device, please see chapter «Accessories», Part No. 260-0020-00 or 260-0021-00



Mounting cut-outs [mm]

Each Part Number listed below includes all the black components shown in the 3D-drawing.

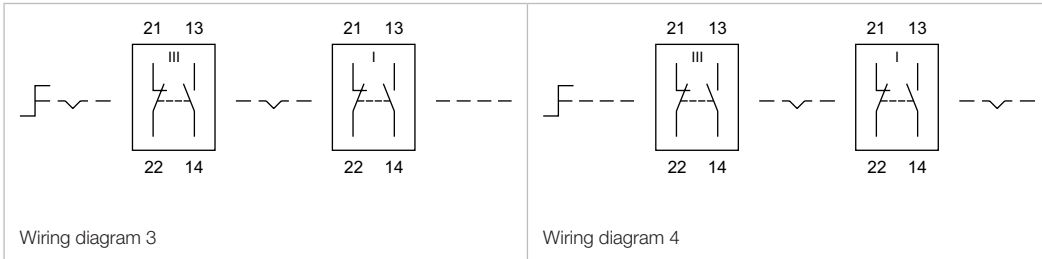
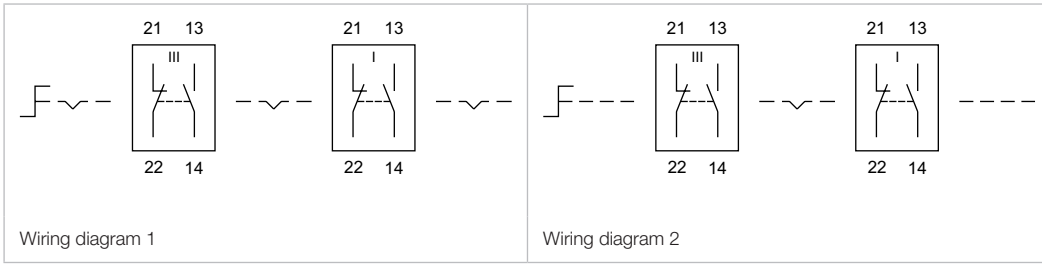
To obtain a complete unit, please select the red components from the pages shown.



Switching positions (A = Rest, B = Momentary, C = Maintained)

Front protection	Switching system	Behind panel depth	Contacts	Switching action	Switching angle	Terminal	Part No.	Component layout	Wiring diagram	Weight		
	Snap-action switching element	42 mm	2 NC + 2 NO	C - A - C	C = 90° / 90°	PCB	<b>712F.700-0P</b>	1	1	0.012 kg		
				C - A - B	C = 60°, B = 60°	PCB	<b>742F.700-0P</b>	1	3	0.012 kg		
		45 mm	2 NC + 2 NO	C - A - C	C = 90° / 90°	Solder 2.8 x 0.5 mm	<b>712F.700-00</b>	1	0.012 kg			
				A - C - C	C = 90° / 180°	Solder 2.8 x 0.5 mm	<b>722F.700-00</b>	1	0.012 kg			
				B - A - B	B = 60° / 60°	Solder 2.8 x 0.5 mm	<b>732F.700-00</b>	2	0.012 kg			
				C - A - B	C = 60°, B = 60°	Solder 2.8 x 0.5 mm	<b>742F.700-00</b>	3	0.012 kg			
				B - A - C	B = 60°, C = 60°	Solder 2.8 x 0.5 mm	<b>752F.700-00</b>	4	0.012 kg			
				C - A - B	C = 60°, B = 60°	Solder 2.8 x 0.5 mm	<b>742F.700-00</b>	3	0.012 kg			
		IP 65	Snap-action switching element	42 mm	2 NC + 2 NO	C - A - C	C = 90° / 90°	PCB	<b>712F.700-WP</b>	1	1	0.012 kg
						B - A - B	B = 60° / 60°	PCB	<b>732F.700-WP</b>	1	2	0.012 kg
				45 mm	2 NC + 2 NO	C - A - C	C = 90° / 90°	Solder 2.8 x 0.5 mm	<b>712F.700-W0</b>	1	0.012 kg	
						A - C - C	C = 90° / 180°	Solder 2.8 x 0.5 mm	<b>722F.700-W0</b>	1	0.012 kg	
						B - A - B	B = 60° / 60°	Solder 2.8 x 0.5 mm	<b>732F.700-W0</b>	2	0.012 kg	
						C - A - B	C = 60°, B = 60°	Solder 2.8 x 0.5 mm	<b>742F.700-W0</b>	3	0.012 kg	
C - A - B	C = 60°, B = 60°					Solder 2.8 x 0.5 mm	<b>742F.700-W0</b>	3	0.012 kg			
C - A - B	C = 60°, B = 60°					Solder 2.8 x 0.5 mm	<b>742F.700-W0</b>	3	0.012 kg			

Contacts: NC = Normally closed, NO = Normally open  
Switching action: A = Rest, B = Momentary, C = Maintained  
The component layouts you will find from page 107

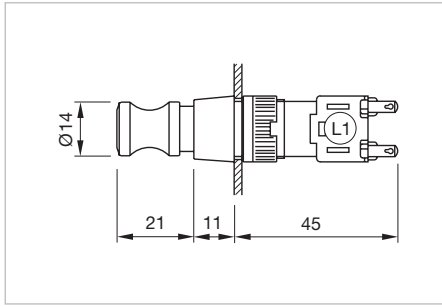


# 55 Raised design

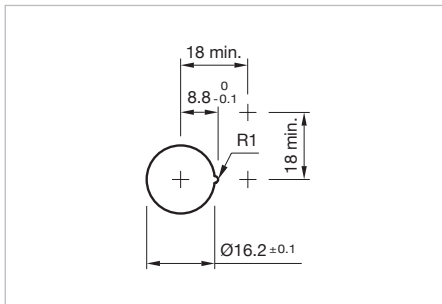
## Illuminated push-pull button, IP 40



Product can differ from the current configuration.

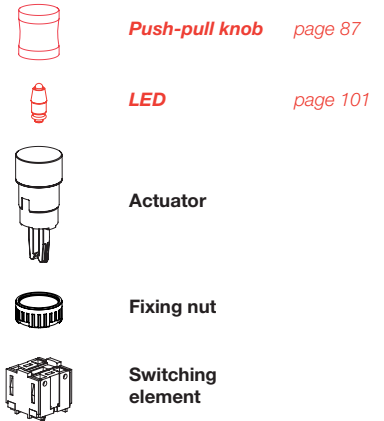


Dimensions [mm]  
L1 = Solder terminal 2.8 x 0.5 mm




Mounting cut-outs [mm]

### Equipment consisting of (schematic overview)

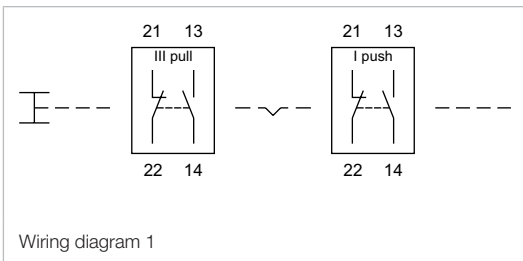


Each Part Number listed below includes all the black components shown in the 3D-drawing.

To obtain a complete unit, please select the red components from the pages shown.

Front bezel	Switching system	Behind panel depth	Contacts	Switching action	Terminal	Lamp socket	Part No.	Wiring diagram	Weight
 <p><b>Illuminated push-pull pushbutton actuator 45 mm, Front dimension Ø 18 mm</b></p>									
Plastic grey	Snap-action switching element	45 mm	2 NC + 2 NO	B - A - B	Solder 2.8 x 0.5 mm	T1 ¼ MG	<b>792F1000-00</b>	1	0.015 kg
Plastic black	Snap-action switching element	45 mm	2 NC + 2 NO	B - A - B	Solder 2.8 x 0.5 mm	T1 ¼ MG	<b>792F2000-00</b>	1	0.015 kg



Contacts: NC = Normally closed, NO = Normally open  
Switching action: A = Rest, B = Momentary  
The component layouts you will find from page 107




Front

**Lens plastic**
**Additional Information**

- For indicator and illuminated pushbutton, 35 mm

Product attribute	Dimension	Lens	Part No.	Weight
 <p><b>Lens plastic square</b></p>				
for button with front dimension 18 x 18 mm, flat, illuminative	15.2 x 15.2 mm	orange translucent	<b>600-3110-00</b>	0.001 kg
		red translucent	<b>600-3120-00</b>	0.001 kg
		green translucent	<b>600-3140-00</b>	0.001 kg
		blue translucent	<b>600-3150-00</b>	0.001 kg
		white translucent	<b>600-3160-00</b>	0.001 kg
		yellow translucent	<b>600-3170-00</b>	0.001 kg
for button with front dimension 18 x 18 mm, flat, illuminative, less suitable for film insert	15.2 x 15.2 mm	orange transparent	<b>600-3210-00</b>	0.001 kg
		red transparent	<b>600-3220-00</b>	0.001 kg
		green transparent	<b>600-3240-00</b>	0.001 kg
		white transparent	<b>600-3260-00</b>	0.001 kg
for button with front dimension 18 x 18 mm, flat, non illuminative	15.2 x 15.2 mm	grey opaque	<b>600-3180-00</b>	0.001 kg
		schwarz opak	<b>600-3190-00</b>	0.001 kg
 <p><b>Lens plastic rectangular</b></p>				
for button with front dimension 18 x 24 mm, flat, illuminative	15.2 x 21.2 mm	orange translucent	<b>600-5110-00</b>	0.001 kg
		red translucent	<b>600-5120-00</b>	0.001 kg
		green translucent	<b>600-5140-00</b>	0.001 kg
		blue translucent	<b>600-5150-00</b>	0.001 kg
		white translucent	<b>600-5160-00</b>	0.001 kg
		yellow translucent	<b>600-5170-00</b>	0.001 kg
for button with front dimension 18 x 24 mm, flat illuminative, less suitable for film insert	15.2 x 21.2 mm	orange transparent	<b>600-5210-00</b>	0.001 kg
		red transparent	<b>600-5220-00</b>	0.001 kg
		green transparent	<b>600-5240-00</b>	0.001 kg
		blue transparent	<b>600-5250-00</b>	0.001 kg
		white transparent	<b>600-5260-00</b>	0.001 kg
for button with front dimension 18 x 24 mm, flat, non illuminative	15.2 x 21.2 mm	yellow transparent	<b>600-5270-00</b>	0.001 kg
		grey opaque	<b>600-5180-00</b>	0.001 kg
		black opaque	<b>600-5190-00</b>	0.001 kg


# 55 Accessories




Product attribute	Dimension	Lens	Part No.	Weight	
 <p><b>Lens plastic round</b></p>	Ø 15.2 mm	orange translucent	<b>600-1110-00</b>	0.001 kg	
		red translucent	<b>600-1120-00</b>	0.001 kg	
		green translucent	<b>600-1140-00</b>	0.001 kg	
		blue translucent	<b>600-1150-00</b>	0.001 kg	
		white translucent	<b>600-1160-00</b>	0.001 kg	
		yellow translucent	<b>600-1170-00</b>	0.001 kg	
	for button with front dimension Ø 18 mm, flat, illuminative, less suitable for film insert	Ø 15.2 mm	orange transparent	<b>600-1210-00</b>	0.001 kg
			red transparent	<b>600-1220-00</b>	0.001 kg
			green transparent	<b>600-1240-00</b>	0.001 kg
			white transparent	<b>600-1260-00</b>	0.001 kg
			yellow transparent	<b>600-1270-00</b>	0.001 kg
	for button with front dimension Ø 18 mm, flat, non illuminative	Ø 15.2 mm	grey opaque	<b>600-1180-00</b>	0.001 kg
			black opaque	<b>600-1190-00</b>	0.001 kg

## Lens plastic IP40/IP65




### Additional Information

- Lens IP 65 is supplied with fitted sealing gland.

Product attribute	Front protection	Dimension	Lens	Part No.	Weight	
 <p><b>Lens plastic square</b></p>	IP 40	20.8 x 20.8 mm	orange translucent	<b>200-9110-00</b>	0.001 kg	
			red translucent	<b>200-9120-00</b>	0.001 kg	
			green translucent	<b>200-9140-00</b>	0.001 kg	
			blue translucent	<b>200-9150-00</b>	0.001 kg	
			white translucent	<b>200-9160-00</b>	0.001 kg	
			yellow translucent	<b>200-9170-00</b>	0.001 kg	
			red transparent	<b>200-7220-00</b>	0.001 kg	
			white transparent	<b>200-7260-00</b>	0.001 kg	
	or button with front dimension 24 x 24 mm, flat, non illuminative	IP 40	20.8 x 20.8 mm	grey opaque	<b>200-9180-00</b>	0.001 kg
				black opaque	<b>200-9190-00</b>	0.001 kg
	or button with front dimension 24 x 24 mm, flat, illuminative	IP 40	20.8 x 20.8 mm	orange transparent	<b>200-9210-00</b>	0.001 kg
				red transparent	<b>200-9220-00</b>	0.001 kg
				green transparent	<b>200-9240-00</b>	0.001 kg
				white transparent	<b>200-9260-00</b>	0.001 kg
yellow transparent				<b>200-9270-00</b>	0.001 kg	

Product attribute	Front protection	Dimension	Lens	Part No.	Weight			
 <p><b>Lens plastic square</b></p>								
for button with front dimension 24 x 24 mm, flat, illuminative	IP 65	20.8 x 20.8 mm	orange translucent	<b>200-9110-W0</b>	0.002 kg			
			red translucent	<b>200-9120-W0</b>	0.002 kg			
			green translucent	<b>200-9140-W0</b>	0.002 kg			
			blue translucent	<b>200-9150-W0</b>	0.002 kg			
			white translucent	<b>200-9160-W0</b>	0.002 kg			
			yellow translucent	<b>200-9170-W0</b>	0.002 kg			
			red transparent	<b>200-9220-W0</b>	0.002 kg			
			green transparent	<b>200-9240-W0</b>	0.002 kg			
			white transparent	<b>200-9260-W0</b>	0.002 kg			
			yellow transparent	<b>200-9270-W0</b>	0.002 kg			
 <p><b>Lens plastic square</b></p>								
for button with front dimension 18 x 18 mm, flat, illuminative	IP 40	15.2 x 15.2 mm	orange translucent	<b>200-3110-00</b>	0.001 kg			
			red translucent	<b>200-3120-00</b>	0.001 kg			
			green translucent	<b>200-3140-00</b>	0.001 kg			
			blue translucent	<b>200-3150-00</b>	0.001 kg			
			white translucent	<b>200-3160-00</b>	0.001 kg			
			yellow translucent	<b>200-3170-00</b>	0.001 kg			
			orange transparent	<b>200-3210-00</b>	0.001 kg			
			red transparent	<b>200-3220-00</b>	0.001 kg			
			green transparent	<b>200-3240-00</b>	0.001 kg			
			blue transparent	<b>200-3250-00</b>	0.001 kg			
			white transparent	<b>200-3260-00</b>	0.001 kg			
			yellow transparent	<b>200-3270-00</b>	0.001 kg			
			for button with front dimension 18 x 18 mm, flat, non illuminative	IP 40	15.2 x 15.2 mm	black opaque	<b>200-3190-00</b>	0.001 kg
			 <p><b>Lens plastic rectangular</b></p>					
for button with front dimension 18 x 24 mm, flat, illuminative	IP 40	15.2 x 21.2 mm	orange transparent	<b>200-5210-00</b>	0.001 kg			
			red transparent	<b>200-5220-00</b>	0.001 kg			
			green transparent	<b>200-5240-00</b>	0.001 kg			
			blue transparent	<b>200-5250-00</b>	0.001 kg			
			white transparent	<b>200-5260-00</b>	0.001 kg			
			yellow transparent	<b>200-5270-00</b>	0.001 kg			
			orange translucent	<b>200-5110-00</b>	0.001 kg			
			red translucent	<b>200-5120-00</b>	0.001 kg			
			green translucent	<b>200-5140-00</b>	0.001 kg			
			blue translucent	<b>200-5150-00</b>	0.001 kg			
			white translucent	<b>200-5160-00</b>	0.001 kg			
			yellow translucent	<b>200-5170-00</b>	0.001 kg			
			for button with front dimension 18 x 24 mm, flat, non illuminative	IP 40	15.2 x 21.2 mm	grey opaque	<b>200-5180-00</b>	0.001 kg
black opaque	<b>200-5190-00</b>	0.001 kg						



# 55 Accessories

Product attribute	Front protection	Dimension	Lens	Part No.	Weight
 <p><b>Lens plastic round</b></p>					
for button with front dimension Ø 24 mm, flat, illuminative	IP 40	Ø 20.8 mm	orange translucent	<b>200-7110-00</b>	0.001 kg
			red translucent	<b>200-7120-00</b>	0.001 kg
			green translucent	<b>200-7140-00</b>	0.001 kg
			blue translucent	<b>200-7150-00</b>	0.001 kg
			white translucent	<b>200-7160-00</b>	0.001 kg
			yellow translucent	<b>200-7170-00</b>	0.001 kg
for button with front dimension Ø 24 mm, flat, non illuminative	IP 40	Ø 20.8 mm	grey opaque	<b>200-7180-00</b>	0.001 kg
			black opaque	<b>200-7190-00</b>	0.001 kg
 <p><b>Lens plastic round</b></p>					
for button with front dimension Ø 24 mm, flat, illuminative	IP 65	Ø 20.8 mm	red translucent	<b>200-7120-W0</b>	0.002 kg
			green translucent	<b>200-7140-W0</b>	0.002 kg
			white translucent	<b>200-7160-W0</b>	0.002 kg
			yellow translucent	<b>200-7170-W0</b>	0.002 kg
			red transparent	<b>200-7220-W0</b>	0.002 kg
			green transparent	<b>200-7240-W0</b>	0.002 kg
for button with front dimension Ø 24 mm, flat, non illuminative	IP 65	Ø 20.8 mm	black opaque	<b>200-7190-W0</b>	0.002 kg
 <p><b>Lens plastic round</b></p>					
for button with front dimension Ø 18 mm, flat, illuminative	IP 40	Ø 15.2 mm	orange translucent	<b>200-1110-00</b>	0.001 kg
			red translucent	<b>200-1120-00</b>	0.001 kg
			green translucent	<b>200-1140-00</b>	0.001 kg
			blue translucent	<b>200-1150-00</b>	0.001 kg
			white translucent	<b>200-1160-00</b>	0.001 kg
			yellow translucent	<b>200-1170-00</b>	0.001 kg
			red transparent	<b>200-1220-00</b>	0.001 kg
			green transparent	<b>200-1240-00</b>	0.001 kg
			blue transparent	<b>200-1250-00</b>	0.001 kg
			white transparent	<b>200-1260-00</b>	0.001 kg
			yellow transparent	<b>200-1270-00</b>	0.001 kg
			for button with front dimension Ø 18 mm, flat, non illuminative	IP 40	Ø 15.2 mm
black opaque	<b>200-1190-00</b>	0.001 kg			



**Mushroom-head cap, IP 40****Additional Information**






- Can only be used with front bezel Ø 18 mm

Mushroom-head cap	Part No.	Weight
 <p><b>Mushroom-head cap rectangular, 18 x 24 mm</b></p>		
red opaque	<b>200-5320-00</b>	0.005 kg
 <p><b>Mushroom-head cap round, 24 mm</b></p>		
red opaque	<b>200-7320-00</b>	0.005 kg
green opaque	<b>200-7340-00</b>	0.005 kg
yellow opaque	<b>200-7370-00</b>	0.005 kg
black opaque	<b>200-7390-00</b>	0.005 kg

## Front bezel for keylock switch and selector switch 2 positions

### Additional Information

- Front bezel and switch will be delivered assembled

Product attribute	Marking	Material	Colour	Part No.	Weight
 <p><b>Front bezel for keylock switch and selector switch 2 positions square, 18 x 18 mm</b></p>					
fits for all Part No.	without marking	Plastic	grey	<b>200-3004-00</b>	0.002 kg
			black	<b>200-4004-00</b>	0.002 kg
for Part No. 761-xxx ... 772-xxx   911-xxx ... 925-xxx   811-xxx ... 825-xxx	0 - I (90°)	Plastic	grey	<b>200-3001-00</b>	0.002 kg
			black	<b>200-4001-00</b>	0.002 kg
for Part No. 781-xxx   782-xxx   931-xxx ... 935- xxx   831-xxx ... 835-xxx	0 - I (60°)	Plastic	black	<b>200-4001-01</b>	0.002 kg
 <p><b>Front bezel for keylock switch and selector switch 2 positions rectangular, 18 x 24 mm</b></p>					
fits for all Part No.	without marking	Plastic	grey	<b>200-5004-00</b>	0.002 kg
			black	<b>200-6004-00</b>	0.002 kg
for Part No. 761-xxx ... 772-xxx   911-xxx ... 925-xxx   811-xxx ... 825-xxx	0 - I (90°)	Plastic	grey	<b>200-5001-00</b>	0.002 kg
			black	<b>200-6001-00</b>	0.002 kg
for Part No. 781-xxx   782-xxx   931-xxx ... 935- xxx   831-xxx ... 835-xxx	0 - I (60°)	Plastic	black	<b>200-6001-01</b>	0.002 kg
 <p><b>Front bezel for keylock switch and selector switch 2 positions round, 18 mm</b></p>					
fits for all Part No.	without marking	Plastic	grey	<b>200-1004-00</b>	0.002 kg
			black	<b>200-2004-00</b>	0.002 kg
for Part No. 761-xxx ... 772-xxx   911-xxx ... 925-xxx   811-xxx ... 825-xxx	0 - I (90°)	Plastic	grey	<b>200-1001-00</b>	0.002 kg
			black	<b>200-2001-00</b>	0.002 kg
for Part No. 781-xxx   782-xxx   931-xxx ... 935- xxx   831-xxx ... 835-xxx	0 - I (60°)	Plastic	black	<b>200-2001-01</b>	0.002 kg
 <p><b>Front bezel for keylock switch and selector switch 2 positions square, 24 x 24 mm</b></p>					
fits for all Part No.	without marking	Plastic	grey	<b>200-9004-00</b>	0.002 kg
			black	<b>200-0004-00</b>	0.002 kg
for Part No. 761-xxx ... 772-xxx   911-xxx ... 925-xxx   811-xxx ... 825-xxx	0 - I (90°)	Plastic	grey	<b>200-9001-00</b>	0.002 kg
			black	<b>200-0001-00</b>	0.002 kg
for Part No. 781-xxx   782-xxx   931-xxx ... 935- xxx   831-xxx ... 835-xxx	0 - I (60°)	Plastic	black	<b>200-0001-01</b>	0.002 kg
 <p><b>Front bezel for keylock switch and selector switch 2 positions round, 24 mm</b></p>					
fits for all Part No.	without marking	Plastic	grey	<b>200-7004-00</b>	0.002 kg
			black	<b>200-8004-00</b>	0.002 kg
for Part No. 761-xxx ... 772-xxx   911-xxx ... 925-xxx   811-xxx ... 825-xxx	0 - I (90°)	Plastic	grey	<b>200-7001-00</b>	0.002 kg
			black	<b>200-8001-00</b>	0.002 kg
for Part No. 781-xxx   782-xxx   931-xxx ... 935- xxx   831-xxx ... 835-xxx	0 - I (60°)	Plastic	black	<b>200-8001-01</b>	0.002 kg


**Front bezel for keylock switch and selector switch 3 positions**

**Additional Information**

- Front bezel and switch will be delivered assembled

Product attribute	Marking	Material	Colour	Part No.	Weight
 <p><b>Front bezel for keylock switch and selector switch 3 positions square, 18 x 18 mm</b></p>					
fits for all Part No.	without marking	Plastic	grey	<b>200-3004-00</b>	0.002 kg
			black	<b>200-4004-00</b>	0.002 kg
for Part No. 712-xxx	I (90°) - 0 - II (90°)	Plastic	grey	<b>200-3002-00</b>	0.002 kg
			black	<b>200-4002-00</b>	0.002 kg
for Part No. 722-xxx	0 (90°) - I - II (90°)	Plastic	grey	<b>200-3003-00</b>	0.002 kg
			black	<b>200-4003-00</b>	0.002 kg
for Part No. 732-xxx	I (60°) - 0 - II (60°)	Plastic	black	<b>200-4002-02</b>	0.002 kg
for Part No. 742-xxx	I (90°) - 0 - II (60°)	Plastic	black	<b>200-4002-03</b>	0.002 kg
 <p><b>Front bezel for keylock switch and selector switch 3 positions rectangular, 18 x 24 mm</b></p>					
fits for all Part No.	without marking	Plastic	grey	<b>200-5004-00</b>	0.002 kg
			black	<b>200-6004-00</b>	0.002 kg
for Part No. 712-xxx	I (90°) - 0 - II (90°)	Plastic	grey	<b>200-5002-00</b>	0.002 kg
			black	<b>200-6002-00</b>	0.002 kg
for Part No. 722-xxx	0 (90°) - I - II (90°)	Plastic	grey	<b>200-5003-00</b>	0.002 kg
			black	<b>200-6003-00</b>	0.002 kg
for Part No. 732-xxx	I (60°) - 0 - II (60°)	Plastic	black	<b>200-6002-02</b>	0.002 kg
for Part No. 742-xxx	I (90°) - 0 - II (60°)	Plastic	black	<b>200-6002-03</b>	0.002 kg
for Part No. 752-xxx	I (60°) - 0 - II (90°)	Plastic	black	<b>200-6002-04</b>	0.002 kg
 <p><b>Front bezel for keylock switch and selector switch 3 positions round, 18 mm</b></p>					
fits for all Part No.	without marking	Plastic	grey	<b>200-1004-00</b>	0.002 kg
			black	<b>200-2004-00</b>	0.002 kg
for Part No. 712-xxx	I (90°) - 0 - II (90°)	Plastic	grey	<b>200-1002-00</b>	0.002 kg
			black	<b>200-2002-00</b>	0.002 kg
for Part No. 722-xxx	0 (90°) - I - II (90°)	Plastic	grey	<b>200-1003-00</b>	0.002 kg
			black	<b>200-2003-00</b>	0.002 kg
for Part No. 732-xxx	I (60°) - 0 - II (60°)	Plastic	black	<b>200-2002-02</b>	0.002 kg
for Part No. 742-xxx	I (90°) - 0 - II (60°)	Plastic	black	<b>200-2002-03</b>	0.002 kg
 <p><b>Front bezel for keylock switch and selector switch 3 positions square, 24 x 24 mm</b></p>					
fits for all Part No.	without marking	Plastic	grey	<b>200-9004-00</b>	0.002 kg
			black	<b>200-0004-00</b>	0.002 kg
for Part No. 712-xxx	I (90°) - 0 - II (90°)	Plastic	black	<b>200-0002-00</b>	0.002 kg
for Part No. 722-xxx	0 (90°) - I - II (90°)	Plastic	grey	<b>200-9003-00</b>	0.002 kg
			black	<b>200-0003-00</b>	0.002 kg
for Part No. 732-xxx	I (60°) - 0 - II (60°)	Plastic	black	<b>200-0002-02</b>	0.002 kg


# 55 Accessories


Product attribute	Marking	Material	Colour	Part No.	Weight
 <p><b>Front bezel for keylock switch and selector switch 3 positions round, 24 mm</b></p>					
fits for all Part No.	without marking	Plastic	grey	<b>200-7004-00</b>	0.002 kg
			black	<b>200-8004-00</b>	0.002 kg
for Part No. 712-xxx	I (90°) - 0 - II (90°)	Plastic	black	<b>200-8002-00</b>	0.002 kg
for Part No. 722-xxx	0 (90°) - I - II (90°)	Plastic	grey	<b>200-7003-00</b>	0.002 kg
			black	<b>200-8003-00</b>	0.002 kg
for Part No. 732-xxx	I (60°) - 0 - II (60°)	Plastic	black	<b>200-8002-02</b>	0.002 kg
for Part No. 742-xxx	I (90°) - 0 - II (60°)	Plastic	black	<b>200-8002-03</b>	0.002 kg

## Lever



### Additional Information

- Lever and switch will be delivered assembled


Lever	Part No.	Weight
 <p><b>Lever</b></p>		
Plastic chrome short	<b>200-.604-00</b>	0.001 kg
Plastic black short	<b>200-.704-00</b>	0.001 kg

Lever	Part No.	Weight
 <p><b>Lever</b></p>		
Plastic chrome long	<b>200-.804-00</b>	0.001 kg
Plastic black long	<b>200-.904-00</b>	0.001 kg

**Buzzer element**

Product attribute	Dimension	Operating voltage	Colour	Part No.	Weight
 <p><b>Buzzer element</b></p> for button with front dimension 24 x 24 mm	20.8 x 20.8 mm	12 VAC/DC	black	<b>970-0012-00</b>	0.004 kg
		24 VAC/DC	grey	<b>970-9024-00</b>	0.004 kg
			black	<b>970-0024-00</b>	0.004 kg
 <p><b>Buzzer element</b></p> for button with front dimension 18 x 24 mm	15.2 x 21.2 mm	12 VAC/DC	grey	<b>970-5012-00</b>	0.004 kg
			black	<b>970-6012-00</b>	0.004 kg
		24 VAC/DC	grey	<b>970-5024-00</b>	0.004 kg
			black	<b>970-6024-00</b>	0.004 kg






**Push-pull knob**

Lever	Part No.	Weight
 <p><b>Push-pull knob</b></p> red transparent	<b>200-.225-00</b>	0.003 kg
green transparent	<b>200-.245-00</b>	0.003 kg
blue transparent	<b>200-.255-00</b>	0.003 kg
white transparent	<b>200-.265-00</b>	0.003 kg
yellow transparent	<b>200-.275-00</b>	0.003 kg

## Front bezel

### Additional Information

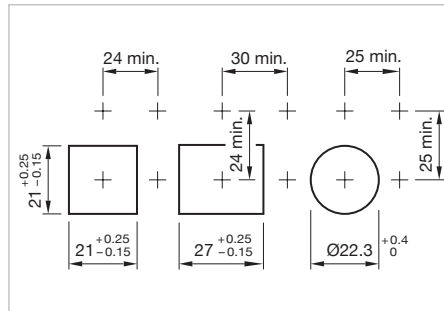
- Front bezel IP 65 is supplied with fitted sealing ring.

Product attribute	Front protection	Front bezel	Part No.	Weight
 <p><b>Front bezel square, 18 x 18 mm</b></p>	IP 40	Plastic grey	<b>200-3000-00</b>	0.002 kg
		Plastic black	<b>200-4000-00</b>	0.002 kg
 <p><b>Front bezel rectangular, 18 x 24 mm</b></p>	IP 40	Plastic grey	<b>200-5000-00</b>	0.002 kg
		Plastic black	<b>200-6000-00</b>	0.002 kg
 <p><b>Front bezel round, 18 mm</b></p>	IP 40	Plastic grey	<b>200-1000-00</b>	0.002 kg
		Plastic black	<b>200-2000-00</b>	0.002 kg
 <p><b>Front bezel square, 24 x 24 mm</b></p>	IP 40	Plastic grey	<b>200-9000-00</b>	0.002 kg
		Plastic black	<b>200-0000-00</b>	0.002 kg
	IP 65	Plastic grey	<b>200-9000-W0</b>	0.002 kg
		Plastic black	<b>200-0000-W0</b>	0.002 kg
 <p><b>Front bezel round, 24 mm</b></p>	IP 40	Plastic grey	<b>200-7000-00</b>	0.002 kg
		Plastic black	<b>200-8000-00</b>	0.002 kg
	IP 65	Plastic grey	<b>200-7000-W0</b>	0.002 kg
		Plastic black	<b>200-8000-W0</b>	0.002 kg




**Front bezel set, flush design, IP 65**

**Additional Information**

- By using these sets, raised pushbuttons can be built in «flat» into operator panels. Please refer to the respective note with each pushbutton
- The mounting depth is increased by 9 mm because of the bezel set





Mounting cut-outs [mm]

Product attribute	Dimension	Front bezel	Part No.	Weight
 <p><b>Front bezel set, flush design square</b></p>				
for button 18 x 18 mm with mounting cut-out 21 x 21 mm	24 x 24 mm	Plastic black	<b>61-9930.0</b>	0.007 kg
 <p><b>Front bezel set, flush design rectangular</b></p>				
for button 18 x 24 mm with mounting cut-out 21 x 27 mm	24 x 30 mm	Plastic black	<b>61-9931.0</b>	0.008 kg
 <p><b>Front bezel set, flush design round</b></p>				
for button Ø 18 mm with mounting cut-out Ø 22.5 mm	Ø 25 mm	Plastic black	<b>200-8400-V0</b>	0.006 kg

**Protective cover illuminated pusbutton and key lock switch, flush design, IP 65**

**Additional Information**

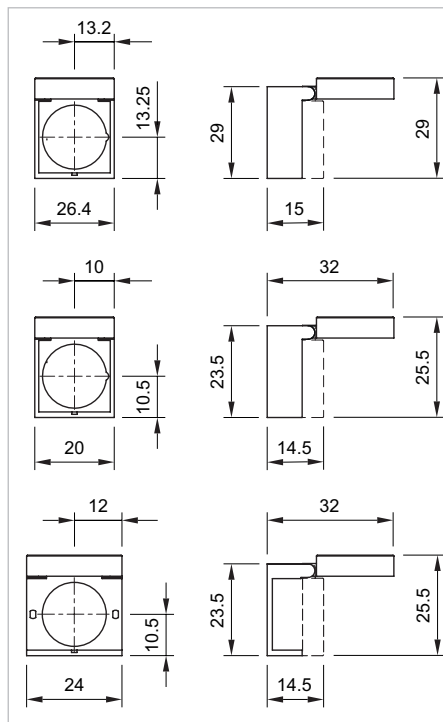
- Hinged, with means for sealing
- Replace the front betel set, flush design

Product attribute	Dimension	Material	Optics	Part No.	Weight
 <p><b>Protective cover illuminated pusbutton and key lock switch, flush design</b></p>					
for button 18 x 18 mm with mounting cut-out 21 x 21 mm	24 x 24 mm	Plastic	transparent	<b>200-4408-V0</b>	0.006 kg
 <p><b>Protective cover illuminated pusbutton and key lock switch, flush design</b></p>					
for button 18 x 24 mm with mounting cut-out 21 x 27 mm	24 x 30 mm	Plastic	transparent	<b>200-6408-V0</b>	0.006 kg

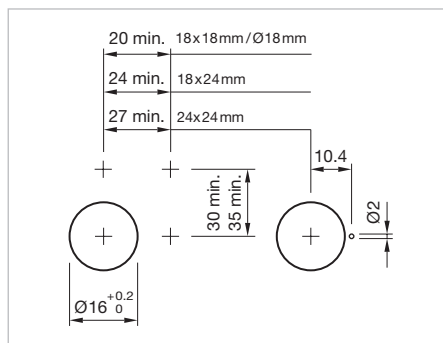
## Protective cover raised design

### Additional Information




- Hinged, with means for sealing



Dimensions [mm]



Mounting cut-outs [mm]

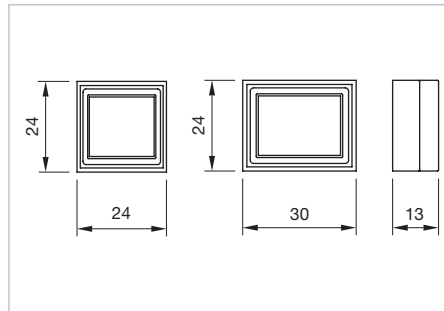
Product attribute	Front protection	Dimension	Material	Optic	Part No.	Weight
 <p><b>Protective cover</b></p>						
for button 24 x 24 mm with mounting cut-out Ø 16 mm	IP 65	26.5 x 29 mm	Plastic	transparent	<b>61-9920.0</b>	0.006 kg
 <p><b>Protective cover</b></p>						
for button 18 x 18 mm with mounting cut-out Ø 16 mm	IP 65	20 x 23.5 mm	Plastic	transparent	<b>51-920</b>	0.002 kg
 <p><b>Protective cover</b></p>						
for button 18 x 24 mm with mounting cut-out Ø 16 mm	IP 65	24 x 23.5 mm	Plastic	transparent	<b>51-925</b>	0.002 kg



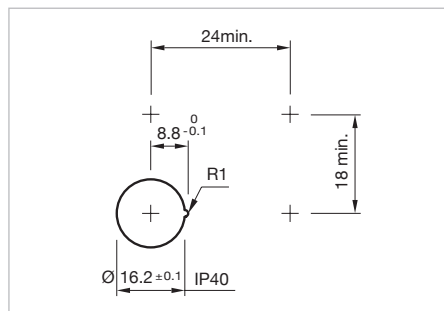
**Front protective cap, IP 65**

**Additional Information**


- Two-part, illumination exchangeable from the front
- Front panel thickness reduces by 1 mm
- Please note that bigger minimum distances are necessary






Dimensions [mm]



Mounting cut-outs [mm]

Product attribute	Dimension	Material	Colour	Optic	Part No.	Weight
	<b>Front protective cap</b>					
for button 18 x 18 mm with mounting cut-out Ø 16 mm	24 x 24 mm	PE/Silicone	colourless	transparent	<b>31-923</b>	0.003 kg
for button 18 x 24 mm with mounting cut-out Ø 16 mm	24 x 30 mm	PE/Silicone	colourless	transparent	<b>31-924.2</b>	0.003 kg


**Protective guard for illuminated pushbutton**

Product attribute	Dimension	Material	Colour	Part No.	Weight
	<b>Protective guard for illuminated pushbutton square</b>				
for button 18 x 18 mm with mounting cut-out Ø 16 mm	18 x 18 mm	Aluminium	natural anodized	<b>200-3007-00</b>	0.002 kg
	<b>Protective guard for illuminated pushbutton rectangular</b>				
for button 18 x 24 mm with mounting cut-out Ø 16 mm	18 x 24 mm	Aluminium	natural anodized	<b>200-5007-00</b>	0.002 kg
	<b>Protective guard for illuminated pushbutton round</b>				
for button Ø 18 mm with mounting cut-out Ø 16 mm	Ø 18 mm	Aluminium	natural anodized	<b>200-1007-00</b>	0.002 kg

## Pressure ring for illuminated pushbutton

### Additional Information


- Necessary for front bezel IP 65, Ø 24 mm and 24 x 24 mm

Material	Part No.	Weight
 <p><b>Pressure ring for illuminated pushbutton</b></p>		
Plastic	200-8009-W0	0.001 kg

## Sealing ring for indicator and illuminated pushbutton

### Additional Information


- Necessary for front bezel IP 65, Ø 24 mm and 24 x 24 mm

Material	Part No.	Weight
 <p><b>Sealing bulb for indicator and illuminated pushbutton</b></p>		
Silicone	200-7009-W0	0.001 kg








## Sealing bulb for indicator and illuminated pushbutton

### Additional Information

- Necessary for front bezel IP 65, Ø 24 mm and 24 x 24 mm

Material	Part No.	Weight
 <p><b>Sealing ring for indicator and illuminated pushbutton</b></p>		
Silicone	200-9009-W0	0.001 kg


**Blind plug**

Front protection	Dimension	Mounting cut-out	Material	Colour	Part No.	Weight
	<b>Blind plug</b>					
IP 40	18 x 18 mm	Ø 16 mm	Plastic	black	<b>01-948.0</b>	0.003 kg
	<b>Blind plug</b>					
IP 65	18 x 18 mm	Ø 16 mm	Plastic	black	<b>51-948.0</b>	0.003 kg
	<b>Blind plug</b>					
IP 65	24 x 24 mm	Ø 16 mm	Plastic	black	<b>61-9450.0</b>	0.003 kg
	<b>Blind plug</b>					
IP 40	18 x 24 mm	Ø 16 mm	Plastic	black	<b>01-947.0</b>	0.003 kg
	<b>Blind plug</b>					
IP 65	18 x 24 mm	Ø 16 mm	Plastic	black	<b>51-947.0</b>	0.003 kg
	<b>Blind plug</b>					
IP 40	Ø 18 mm	Ø 16 mm	Plastic	black	<b>01-949.0</b>	0.003 kg
	<b>Blind plug</b>					
IP 65	Ø 18 mm	Ø 16 mm	Plastic	black	<b>51-949.0</b>	0.003 kg

## Spare key

### Additional Information





- Further lock numbers see «Technical data»
- At ordering indicate marked lock no

Product attribute	Part No.	Weight
 <p><b>Spare key</b></p>		
for keylock switch, keylock number B2 300	<b>240-2001-00</b>	0.005 kg
Stop pushbutton, keylock number B2 390	<b>240-3001-00</b>	0.005 kg

## Label for emergency-stop and stop switch



### Additional Information

- Other options on request

Front protection	Dimension	Marking	Colour	Part No.	Weight
 <p><b>Label for emergency-stop and stop switch</b></p>					
IP 40	Ø 43 mm	without	yellow	<b>200-1300-01</b>	0.002 kg
IP 65	Ø 43 mm	without	yellow	<b>61-9970.0</b>	0.002 kg
 <p><b>Label for emergency-stop and stop switch</b></p>					
IP 40	Ø 43 mm	NOT-AUS	yellow	<b>200-1300-02</b>	0.002 kg
		NOT HALT	yellow	<b>200-1300-08</b>	0.002 kg
IP 65	Ø 43 mm	NOT-AUS	yellow	<b>61-9970.1</b>	0.002 kg
		NOT HALT	yellow	<b>61-9970.6</b>	0.002 kg
 <p><b>Label for emergency-stop and stop switch</b></p>					
IP 40	Ø 43 mm	EMERGENCY STOP	yellow	<b>200-1300-03</b>	0.002 kg
IP 65	Ø 43 mm	EMERGENCY STOP	yellow	<b>61-9970.2</b>	0.002 kg
 <p><b>Label for emergency-stop and stop switch</b></p>					
IP 65	Ø 43 mm	ARRÊT D'URGENCE	yellow	<b>61-9970.3</b>	0.002 kg



Rear side

Snap-action switching element block

Switching voltage	Switching current	Switching system	Contacts	Contact material	Terminal	Part No.	Component layout	Weight
 <p><b>Snap-action switching element block</b></p>								
250 VAC	5 A	Snap-action switching element	1 NC + 1 NO	Gold	Solder 2.8 x 0.5 mm	<b>601F0000-00</b>		0.006 kg
			2 NC + 2 NO	Gold	Solder 2.8 x 0.5 mm	<b>602F0000-00</b>		0.006 kg
			1 NC + 1 NO + 1 D	Gold	Solder 2.8 x 0.5 mm	<b>608F0000-00</b>		0.006 kg
 <p><b>Snap-action switching element block</b></p>								
250 VAC	5 A	Snap-action switching element	1 NC + 1 NO	Gold	PCB	<b>601F0000-0P</b>	1	0.006 kg
			2 NC + 2 NO	Gold	PCB	<b>602F0000-0P</b>	1	0.006 kg
			1 NC + 1 NO + 2 D	Gold	PCB	<b>609F0000-0P</b>	1	0.006 kg

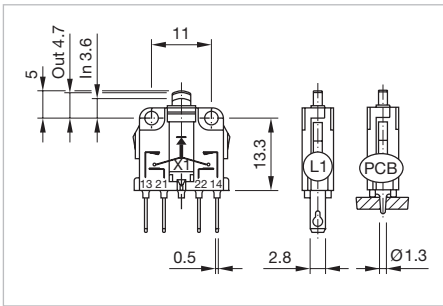
Contacts: NC = Normally closed, NO = Normally open, D = Diode element  
 The component layouts you will find from page 107

Lamp element block



Terminal	Diode 1N4007	Part No.	Component layout	Weight
 <p><b>Lamp element block</b></p>				
Solder 2.8 x 0.5 mm		<b>600-0000-00</b>		0.005 kg
	1	<b>606F0000-00</b>		0.006 kg
	2	<b>607F0000-00</b>		0.006 kg
 <p><b>Lamp element block</b></p>				
PCB		<b>600-0000-0P</b>	1	0.005 kg

The component layouts you will find from page 107

## Snap-action switching element



Dimensions [mm]

Colour	Switching voltage	Switching current	Switching system	Contacts	Contact material	Terminal	Part No.	Weight
 <p><b>Snap-action switching element</b></p>								
black	250 VAC	5 A	Snap-action switching element	1 NC + 1 NO	Gold	Solder 2.8 x 0.5 mm	<b>201F0900-00</b>	0.003 kg
 <p><b>Snap-action switching element</b></p>								
black	250 VAC	5 A	Snap-action switching element	1 NC + 1 NO	Gold	PCB	<b>221F0900-0P</b>	0.003 kg


Contacts: NC = Normally closed, NO = Normally open

## Slow-make switching element for stop switch



Colour	Switching voltage	Switching current	Switching system	Contacts	Contact material	Terminal	Part No.	Weight
 <p><b>Slow-make switching element for stop switch</b></p>								
black	250 VAC	5 A	Slow-make switching element	1 NC	Gold	Solder 2.8 x 0.5 mm	<b>211F0900-00</b>	0.003 kg

Contacts: NC = Normally closed


**Blind element**

Colour	Part No.	Weight
 <p><b>Blind element</b></p>		
white	<b>202F0900-00</b>	0.002 kg



**Lamp terminal**

Terminal	Part No.	Weight
 <p><b>Lamp terminal</b></p>		
Solder 2.8 x 0.5 mm	<b>270-0000-00</b>	0.001 kg
 <p><b>Lamp terminal</b></p>		
PCB	<b>270-0000-0P</b>	0.001 kg


**Intermediate section**

Product attribute	Part No.	Weight
 <p><b>Intermediate section</b></p>		
for illuminated pushbutton 55 mm, T1 ¼ MG, incl. fixing nut	<b>260-9000-00</b>	0.005 kg

## Holder for 2 switching elements

Product attribute	Material	Part No.	Weight
 <p><b>Holder for 2 switching elements</b></p>			
for push-pull illuminated switch	Plastic	<b>270-2000-00</b>	0.001 kg
 <p><b>Holder for 2 switching elements</b></p>			
for pushbutton, keylock switch, selector switch	Plastic	<b>270-3000-00</b>	0.001 kg


## Holder for 3 switching elements

Product attribute	Material	Part No.	Weight
 <p><b>Holder for 3 switching elements</b></p>			
for pushbutton illuminated	Stainless steel	<b>270-1000-00</b>	0.001 kg

## Spring with pin


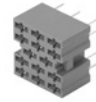
### Additional Information

- For maintained version at the intermediate section

Product attribute	Part No.	Weight
 <p><b>Spring with pin</b></p>		
for pushbutton illuminated	<b>260-0010-00</b>	0.001 kg



**PCB plug-in base**


Product attribute	Dimension	Pins	Terminal	Part No.	Weight
 <p><b>PCB plug-in base</b></p>					
3 NC + 3 NO with lamp terminal	19 x 18 x 28.5 mm	right-angled	PCB	<b>280-3200-00</b>	0.006 kg
 <p><b>PCB plug-in base</b></p>					
3 NC + 3 NO with lamp terminal	18 x 18 x 11.5 mm	axial	PCB	<b>280-3100-00</b>	0.005 kg

Contacts: NC = Normally closed, NO = Normally open





**Multi-plug housing**

**Additional Information**

- For Flat receptacle with locating tongue, 14 terminal possibilities, 10 terminals plugable max.

Part No.	Weight
 <p><b>Multi-plug housing</b></p>	
<b>280-0000-00</b>	0.002 kg


## Flat receptacle

Product attribute	wire cross-section of terminal	Part No.	Weight
 <p><b>Flat receptacle</b></p>			
2.8 x 0.5 mm with locating tongue for Multi pug-in housing	0.1 ... 0.25 mm <sup>2</sup>	<b>280-0001-00</b>	0.001 kg
 <p><b>Flat receptacle</b></p>			
2.8 x 0.5 mm with locating tongue for Multi pug-in housing	0.5 ... 1.0 mm <sup>2</sup>	<b>51-943.1</b>	0.001 kg
 <p><b>Flat receptacle</b></p>			
2.8 x 0.5 mm without locating tongue, exclusive of Insulation sleeve Part No. 280-0010-00 use	0.2 ... 0.75 mm <sup>2</sup>	<b>280-0003-00</b>	0.001 kg
 <p><b>Flat receptacle with two outputs</b></p>			
2.8 x 0.5 mm		<b>280-0004-00</b>	0.001 kg

## Insulation sleeve

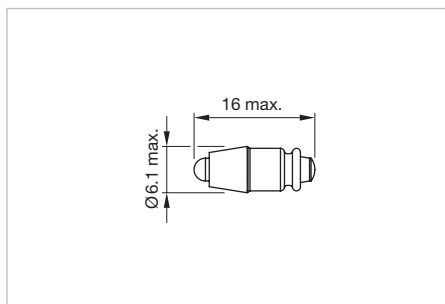
### Additional Information

- For flat receptacle without locating tongue Part No. 280-0003-00


Part No.	Weight
 <p><b>Insulation sleeve</b></p>	
280-0010-00	0.001 kg

**Illumination**
**LED T1 3/4 MG**
**Additional Information**


- A suitable lamp remover Part No. 61-9740.0
- When using AC/DC types with AC operation, slight flickering can occur
- Luminous intensity data of the LEDs on direct voltage
- Electrical and optical data are measured at 25 °C
- If the 24VDC Bi-colour lamp is driven with normal polarity (plus on middle contact of the lamp) the first mentioned colour will light up, with inverted polarity the second colour will light up
- The specified versions are built with a protection diode (half wave rectifier) in series and the LED
- Luminosity and wave length variations caused by LED manufacturing processes may cause slight differences regarding the illumination




Dimensions [mm]

LED colour	Operating voltage	Operation current	Lumi. intensity	Dom. wavelength	Part No.	Weight
						
<b>Single-LED</b>						
Single-LED red	6 VDC +10 %	15 mA ±15 %	350 mcd	630 nm	<b>10-2J06.3142</b>	0.002 kg
	12 VAC/DC +10 %	7/14 mA ±15 %	330 mcd	630 nm	<b>10-2J09.1062</b>	0.002 kg
	24 VAC/DC +10 %	7/14 mA ±15 %	330 mcd	630 nm	<b>10-2J12.1062</b>	0.002 kg
	28 VAC/DC +10 %	7/14 mA ±15 %	330 mcd	630 nm	<b>10-2J13.1062</b>	0.002 kg
	48 VAC/DC +10 %	4/8 mA ±15 %	200 mcd	630 nm	<b>10-2J19.1042</b>	0.002 kg
Single-LED yellow	6 VDC +10 %	15 mA ±15 %	300 mcd	587 nm	<b>10-2J06.3144</b>	0.002 kg
	12 VAC/DC +10 %	7/14 mA ±15 %	280 mcd	587 nm	<b>10-2J09.1064</b>	0.002 kg
	24 VAC/DC +10 %	7/14 mA ±15 %	280 mcd	587 nm	<b>10-2J12.1064</b>	0.002 kg
	28 VAC/DC +10 %	7/14 mA ±15 %	280 mcd	587 nm	<b>10-2J13.1064</b>	0.002 kg
	48 VAC/DC +10 %	4/8 mA ±15 %	180 mcd	587 nm	<b>10-2J19.1044</b>	0.002 kg
Single-LED green	6 VDC +10 %	7 mA ±15 %	1050 mcd	525 nm	<b>10-2J06.3145</b>	0.002 kg
	12 VAC/DC +10 %	4/7 mA ±15 %	1050 mcd	525 nm	<b>10-2J09.1065</b>	0.002 kg
	24 VAC/DC +10 %	4/7 mA ±15 %	1050 mcd	525 nm	<b>10-2J12.1065</b>	0.002 kg
	28 VAC/DC +10 %	4/7 mA ±15 %	1050 mcd	525 nm	<b>10-2J13.1065</b>	0.002 kg
	48 VAC/DC +10 %	2/4 mA ±15 %	600 mcd	525 nm	<b>10-2J19.1045</b>	0.002 kg
Single-LED blue	6 VDC +10 %	15 mA ±15 %	680 mcd	470 nm	<b>10-2J06.3146</b>	0.002 kg
	12 VAC/DC +10 %	7/14 mA ±15 %	650 mcd	470 nm	<b>10-2J09.1066</b>	0.002 kg
	24 VAC/DC +10 %	7/14 mA ±15 %	650 mcd	470 nm	<b>10-2J12.1066</b>	0.002 kg
	28 VAC/DC +10 %	7/14 mA ±15 %	650 mcd	470 nm	<b>10-2J13.1066</b>	0.002 kg
	48 VAC/DC +10 %	4/8 mA ±15 %	400 mcd	470 nm	<b>10-2J19.1046</b>	0.002 kg
Single-LED white	6 VDC +10 %	15 mA ±15 %	750 mcd	x0.31/y0.32 nm	<b>10-2J06.3149</b>	0.002 kg
	12 VAC/DC +10 %	7/14 mA ±15 %	700 mcd	x0.31/y0.32 nm	<b>10-2J09.1069</b>	0.002 kg
	24 VAC/DC +10 %	7/14 mA ±15 %	700 mcd	x0.31/y0.32 nm	<b>10-2J12.1069</b>	0.002 kg
	28 VAC/DC +10 %	7/14 mA ±15 %	700 mcd	x0.31/y0.32 nm	<b>10-2J13.1069</b>	0.002 kg
	48 VAC/DC +10 %	4/8 mA ±15 %	400 mcd	x0.31/y0.32 nm	<b>10-2J19.1049</b>	0.002 kg


# 55 Accessories

LED colour	Operating voltage	Operation current	Lumi. intensity	Dom. wavelength	Part No.	Weight
 <p><b>Bi-colour LED</b></p>						
Bi-colour LED red/green	24 VDC +10 %	15/14 mA ±15 %	600/630 mcd	625/525 nm	<b>10-A312.314A</b>	0.002 kg

## Filament lamp

Operating voltage	Operation current	Part No.	Weight
 <p><b>Filament lamp</b></p>			
6.3 VAC/DC	200 mA±10 %	<b>10-1307.1369</b>	0.001 kg
14 VAC/DC	80 mA±10 %	<b>10-1310.1319</b>	0.001 kg
28 VAC/DC	40 mA±10 %	<b>10-1313.1249</b>	0.001 kg
36 VAC/DC	30 mA±10 %	<b>10-1316.1209</b>	0.001 kg
48 VAC/DC	25 mA±10 %	<b>10-1319.1199</b>	0.001 kg


## Diode element

Diode 1N4007	Terminal	Part No.	Weight
 <p><b>Diode element</b></p>			
2	Solder 2.8 x 0.5 mm	<b>213F0900-00</b>	0.003 kg

## Series resistor

### Additional Information

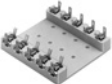
- For lamp voltage reduction
- For filament lamp 48 V, 1.2 W
- Keep to the country specific safety instructions

Operating voltage	Resistance	Part No.	Weight
 <p><b>Series resistor</b></p>			
110 V	2.7 kOhm	<b>300-0010-00</b>	0.002 kg
125 V	3.3 kOhm	<b>300-0020-00</b>	0.002 kg
240 V	10 kOhm	<b>300-0050-00</b>	0.002 kg

## Terminal plate empty


### Additional Information

- For fitting with series resistors

Product attribute	Dimension	Part No.	Weight
 <p><b>Terminal plate empty</b></p>			
5 spaces	62.5 x 60 x 15 mm	<b>02-912.1</b>	0.025 kg
10 spaces	125 x 60 x 15 mm	<b>02-912.2</b>	0.045 kg
15 spaces	187.5 x 60 x 15 mm	<b>02-912.3</b>	0.09 kg
20 spaces	250 x 60 x 15 mm	<b>02-912.4</b>	0.095 kg

## Mounting


### Fixing nut

Product attribute	Material	Colour	Part No.	Weight
 <p><b>Fixing nut</b></p>				
Panel thickness 1 to 3 mm, for devices with 30 - 70 mm behind panel depth	Plastic	grey	<b>260-0001-00</b>	0.001 kg
Panel thickness 3 to 5 mm, for devices 30 - 70 mm behind panel depth	Plastic	grey	<b>260-0002-00</b>	0.001 kg
Panel thickness 5 to 7 mm, for devices with 30 - 70 mm behind panel depth	Plastic	grey	<b>260-0005-00</b>	0.001 kg
Panel thickness 1 to 3 mm, for devices with 35 mm behind panel depth	Plastic	black	<b>260-0003-00</b>	0.001 kg


### Anti-rotation location strip

#### Additional Information

- All devices without Emergency-stop pushbutton foolproof


Product attribute	Part No.	Weight
 <p><b>Anti-rotation location strip</b></p>		
Anti-twist device, in-line arrays or single switches, graduation 18 mm	<b>260-0020-00</b>	0.001 kg
Anti-twist device, in-line arrays or single switches, graduation 24 mm	<b>260-0021-00</b>	0.001 kg

### Lens remover

Part No.	Weight
 <p><b>Lens remover</b></p>	
<b>300-0001-00</b>	0.012 kg


**Lamp remover****Additional Information**

- ▲ **Caution:** A switching process might be released when replacing the lamp

Part No.	Weight
 <p><b>Lamp remover</b></p>	
61-9740.0	0.003 kg

**Mounting tool****Additional Information**

- For tightening or loosening of the fixing nut (at dismantled Element block)

Part No.	Weight
 <p><b>Mounting tool</b></p>	
300-0003-00	0.007 kg


**Dismantling tool for emergency-stop switch, foolproof**

Part No.	Weight
 <p><b>Dismantling tool for emergency-stop switch, foolproof</b></p>	
61-9711.0	0.004 kg

## Contact element pliers

### Additional Information


- For dismantling the switching elements off the holder for 3 switching elements

Part No.	Weight
 <p><b>Contact element pliers</b></p>	
300-0005-00	0.013 kg

## Jaw spanner

### Additional Information


- For tightening or loosening fixing nut and dismantling of the element blocks (mounting depth 35 - 70 mm)

Part No.	Weight
 <p><b>Jaw spanner</b></p>	
300-0004-00	0.003 kg

## Flat receptacle remover

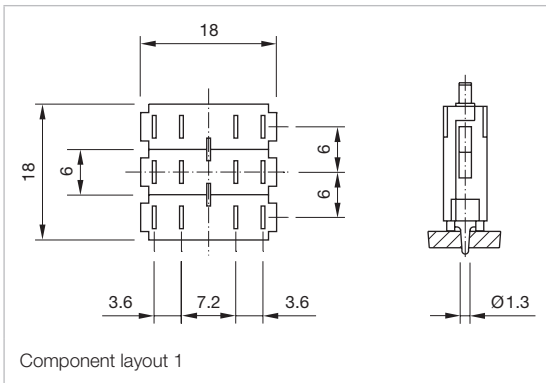
### Additional Information

- For removing the flat receptacle from the multi-plug housing (Part No. 280-0000-00)

Part No.	Weight
 <p><b>Flat receptacle remover</b></p>	
51-943.9	0.001 kg



Drawings



## Device

### General

Swisstac switches are modularly designed. They are divided in three groups:

1. Front  
Interface Human-Switch with state detector.
2. Intermediate section  
Set and reset device, lamp holder, latching funktion.
3. Switching element block  
Up to 3 switching elements can be integrated in a switching element block.

Each switch is tested fully mounted. Electrical output and service life are determined by the switching element. Front and intermediate section are designed for maximum service life of the switching element. They determine in what way the switches are protected against external influences. The type approvals relate to the complete switch.

### Environmental conditions

#### Shock resistance

(single impacts, semi-sinusoidal)  
500 m/s<sup>2</sup>, puls width 11 ms, as per EN IEC 60068-2-27  
max. 150 m/s<sup>2</sup>, pulse width 11 ms, as per EN IEC 60068-2-29

#### Vibration resistance

(sinusoidal)  
max. 100 m/s<sup>2</sup> at 10 Hz... 500 Hz, as per EN IEC 60068-2-6

### Approvals

#### Approbations

CSA  
ENEC (EN 61058)  
UL  
VDE

#### Declaration of conformity

CE

## Front

### General

The front notifies the switching status, serves for activation of the switch and determines its type of protection. With the exception of the front 18 mm dia. of the illuminated pushbuttons 55, all front bezel elements have activation protection.

### Material

#### Lens

Polycarbonate (PC)

#### Front bezel

Polybutylene terephthalate (PBT)

#### Actuator 35 mm

Polybutylene terephthalate (PBT)

#### Lock housing

Polybutylene terephthalate (PBT)

#### Lock cylinder

Polybutylenterephthalat reinforced with carbon fibre (PBT)  
sealing bulb IP 65 (Silicone)

### Environmental conditions

#### Protection degree

IP 65 or IP 40, as per EN IEC 60529

## Intermediate section

### General

The intermediate section integrates characteristics as setting, reset function and click-stop device. Besides all for a switch necessary parts, like front parts, switching block and lamps, are fastened at the intermediate section.

### Material

#### Housing

Polycarbonate (PC)

#### Lamp terminal

Nickel silver

### Mechanical characteristics

#### Mechanical lifetime

Illuminated pushbutton	> 2 million cycles of operation
Keylock- and Selector switch	> 50 000 cycles of operation
Emergency-stop switch	> 8 000 cycles of operation
Illuminated push-pull switch	> 250 000 cycles of operation

### Electrical characteristics

#### Electric strength

3750 VAC, 50 Hz, 1 min., as per EN IEC 61058-1

#### Isolation resistance

> 1012 Ω as per DIN IEC 60512-2-10

## Environmental conditions

### Storage temperature

-40 °C ... +85 °C, as per EN IEC 60068

### Operating temperature

-25 °C ... +55 °C, as per EN IEC 60068-2

## Switching element block

### General

Up to five independent switching elements can be integrated in the switching element block as a switching unit. There are four different types of elements available.

1. Snap-action switching element
2. Slow-make Stop switching element
3. Diode element
4. Blind element

### Material

#### Holder for 2 switching elements

Polyamide (PA 6)

#### Holder for 3 switching elements

Stainless steel

### Lamp terminal

CuBe, 2 µm Optalloy

### Mechanical characteristics

#### Terminals

Soldering terminal (also pluggable 2.8 x 0.5 mm) or PCB terminal, Brass gold plated  
Wire cross-section 1.0 mm<sup>2</sup> max.

### Electrical characteristics

#### Electric strength

2500 VAC, 50 Hz, 1 min. (functional isolation)

#### Isolation resistance

> 10<sup>12</sup> Ω

## Snap-action switching element

### Switching system

Is equipped with double-break jump contacts. Owing to the large cleaning path, outstanding self-cleaning is possible. The multilayer contacts are designed for universal use. They are gilded with a 2 µm gold coating. Each snap-action switching element comprises a NC (normally closed contact) and a NO (normally open contact).

### Material

#### Housing

Frianyl (PA6)

#### Contacts

AgNi, 2 µm gold plated

#### Contact carrier

Brass or CuBe

### Mechanical characteristics

#### Terminals

Soldering terminal (also pluggable 2.8 x 0.5 mm) or PCB terminal, Brass gold plated  
Wire cross-section 1.0 mm<sup>2</sup> max.

#### Actuating force

For each snap-action switching element approx. 2 N

### Rebound time

typically 0.5 µs

### Contact opening width

2 x 0.65 mm

### Contact cleaning path

2 x 0.6 mm

### Mechanical lifetime

2 million cycles of operation

### Electrical characteristics

#### Contact resistance

New state with gold plated contact ≤ 50 mΩ, statically

#### Electrical life

> 10 000 cycles of operation

EN IEC 60947-5-1, AC-12

Voltage	24 V	48 V	75 V	110 V	250 V
Current	5 A	5 A	5 A	2 A	0.5 A

EN IEC 61058-1 (inductive)

Voltage	250 V
Current	1.5 A

## Conventional free air thermal current $I_{th}$

5A from 1 to 3-poles switching element block

## Switch rating

as per EN IEC 61058-1

250V, 5A (non-inductive) up to 3 switching elements

250V, 1.5 A (inductive) up to 3 switching elements

5VAC/DC, 1 mA min.

## Environmental conditions

### Storage temperature

-40 °C ... +85 °C, as per EN IEC 60068

### Operating temperature

-25 °C ... +55 °C, as per EN IEC 60068-2

## Slow-make switching element Stop switch

### Switching system

Is equipped with rigid contact link. The slow-make element opens positively and simply consists of a double-break NC. The multi-layer contacts are designed for universal use and are gilded with a 2 µm gold coating. The Stop slow-make element is designed according to EN IEC 60947-5-1.

### Material

#### Housing

Frianyl (PA6)

#### Contacts

AgNi, 2 µm gold plated

#### Contact carrier

Brass or CuBe

### Mechanical characteristics

#### Terminals

Soldering terminal (also pluggable 2.8 x 0.5 mm) or PCB terminal, Brass gold plated

Wire cross-section 1.0 mm<sup>2</sup> max.

#### Contact opening width

> 2 x 1.5 mm

#### Mechanical lifetime

8000 cycles of operation

### Electrical characteristics

#### Rated Operational Voltage $U_o$

250 VAC, as per EN IEC 60947-1

#### Rated Insulation Voltage $U_i$

250 V, as per EN IEC 60947-1

#### Electrical life

8000 cycles of operation at 250 VAC, 1 A

#### Conventional free air thermal current $I_{th}$

5 A, as per EN IEC 60947-5-1

#### Switch rating

Switch rating AC with silver contact (gold plated), 250 VAC, 1 A, service category AC-15, as per EN IEC 60947-5-1

#### Short-circuit protection

Series-connected blow-out fuse 5 A gL

### Environmental conditions

#### Storage temperature

-40 °C ... +85 °C, as per EN IEC 60068

#### Operating temperature

-25 °C ... +55 °C, as per EN IEC 60068-2

## Diode element

### General

No switching function. Diodes are soldered into the switching element housing between the contact connections.

### Material

#### Housing

Frianyl (PA6)

### Mechanical characteristics

#### Terminals

Soldering terminal (also pluggable 2.8 x 0.5 mm), Brass gold plated

Wire cross-section 1.0 mm<sup>2</sup> max.

### Electrical characteristics

#### Diode

1N4007, rated current = 1.0 A, VRRM = 1000 V

**Blind element**
**General**

Insert in empty places in the switching element block. Nonconducting and without electrical function.

**Material**
**Housing**

Polybutylene terephthalate (PBT)

**Buzzer**
**General**

Device with reverse-connect protection.

**Mechanical characteristics**
**Terminals**

Soldering terminal (also pluggable 2.8 x 0.5 mm) or PCB terminal, Brass gold plated  
Wire cross-section 1.0 mm<sup>2</sup> max.

**Electrical characteristics**
**Operating voltage**

6, 12 and 24 V AC/DC ±10 %

**Power consumption**

approx. 13 mA

**Acoustics**

approx. 84 dB at 0.1 m

**Frequency (tone)**

approx. 2.3 kHz

**Emergency-stop switch foolproof**
**Switching system**

Self cleaning, double-break slow-make element with four-path contacts (contact opening width 2 x 1.5 mm). The slow-make elements are constructed as per EN IEC 60947-5-1.

**Material**
**Mushroom-head cap**

Polyamide (PA6)

**Actuator housing**

Polyamide (PA66)

**Switching element**

Polyamide (PA + PA66)

**Material of contact**

Silver (Ag)

**Mechanical characteristics**
**Terminals**

Soldering terminal  
max. wire-cross section 2 x 1.0 mm<sup>2</sup>  
max. wire-cross section of stranded cable 1 x 0.75 mm<sup>2</sup>  
also pluggable 2.8 x 0.5 mm

**Actuating force**

max. 65 N (measured on mushroom-head cap)

**Tightening torque**

for fixing nut max. 50 Ncm

**Unlock torque**

15 Ncm

**Actuating travel**

10 mm

**Rebound time**

≤ 2 ms

**Mechanical lifetime**

50 000 cycles of operations

**Electrical characteristics**
**Rated Operational Voltage U<sub>o</sub>**

250 VAC, as per EN IEC 60947-1

**Rated Insulation Voltage U<sub>i</sub>**

300 VAC, as per EN IEC 60947-5-1

**Contact resistance**

New state ≤ 50 mΩ, as per DIN IEC 60512-2-5

**Electrical life**

6050 cycles of operation

**Conventional free air thermal current I<sub>th</sub>**

5 A, as per EN IEC 60947-5-1

the maximum current in continuous operation and at ambient temperature must not exceed the quoted maximum values.

## Switch rating

Switch rating AC (inductive) with silver contact, service category AC-13, as per EN IEC 60947-5-1

Voltage	24 VAC	60 VAC	120 VAC	250 VAC
Current	6 A	6 A	5 A	3 A

Switch rating AC (inductive) with silver contact, service category AC-14, as per EN IEC 60947-5-1

Current	24 VAC	60 VAC	120 VAC	250 VAC
Voltage	5 A	4 A	3 A	2 A

Switch rating (non-inductive) with silver contact

Voltage	24 VDC	60 VDC	110 VDC	240 VDC
Current	6 A	2 A	0.7 A	0.5 A

Switch rating DC with silver contact, service category DC-13, as per EN IEC 60947-5-1

Voltage	24 VDC	60 VDC	110 VDC	240 VDC
Current	2 A	1 A	0.4 A	0.2 A

## Recommended minimum operational data

Silver contact (Soldering terminal) 20 VAC/DC, 100 mA

## Electric strength

4000 VAC, 50 Hz, 1 min., as per DIN IEC 60512-2 between all terminals and earth

## Short-circuit protection

Series-connected blow-out fuse 10 A gL

## Overvoltage category

III, as per EN IEC 60947-5-1

## Degree of pollution

3, as per EN IEC 60947-1

## Environmental conditions

### Storage temperature

-40 °C ... +85 °C, as per EN IEC 60068

### Operating temperature

-25 °C ... +55 °C, as per EN IEC 60068-2

### Shock resistance

(single impacts, semi-sinusoidal)

500 m/s<sup>2</sup>puls width 11 ms, as per EN IEC 60068-2-27

### Vibration resistance

(sinusoidal)

max. 100 m/s<sup>2</sup> at 10 Hz ... 2000 Hz, amplitude 0.75 mm, as per EN IEC 60068-2-6

### Protection degree

as per EN IEC 60529

Frontside IP 65, backside IP 40

## Approvals

### Approbations

CSA

UL

VDE

### Declaration of conformity

CE

**Keylock switch**

Standard lock number is B2 300 (Part No. 240-2001-00).  
Further locks are available.  
By order please use the ordersheet on the website  
[www.eao.com/downloads](http://www.eao.com/downloads)

**Stop switch with key to release**

Standard lock number is B2 390 (Part No. 240-3001-00).  
Further locks are available.  
By order please use the ordersheet on the website  
[www.eao.com/downloads](http://www.eao.com/downloads)

**Emergency-stop switch, foolproof with key to release**

Standard lock number is KABA 1001 (Part No. 240-4001-00),  
other lock numbers on request.  
Spare keys may be ordered under Part No. 240-4001-00 1001.

*EAO reserves the right to alter specifications without further notice.*

## General notes

### Engraving

The lens top or lens holder can be engraved in the most commonly used world languages, in DIN 1451-3 close spacing, other typefaces are available. Colour lettering White for lens tops red, blue, green and black. Black for lens tops orange, yellow, grey and white. Black for lens holders translucent and transparent.

**Important: With engraving, the position of the lens must agree with the position of the pushbutton or indicator. However, the lens can be mounted turned through 180°.**

### Hot stamping

For lettering any sizeable quantity we recommend pad printing on the lens holder.

**Important: With pad printing, the position of the lens must agree with the position of the pushbutton or indicator. However, the lens can be mounted turned through 180°.**

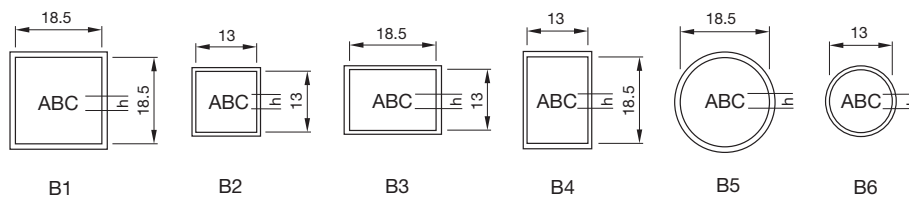
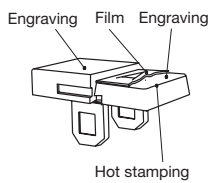
### Film inserts

Instead of engraving, a transparent foil can be laid in the lens tops, except with the colours grey and black. Film thickness is 0.1 mm max.

**Important: When a foil is used, the position of the lens must agree with the position of the pushbutton or indicator. However, the lens can be mounted turned through 180°. With round lenses the film can rotate.**

All dimensions in mm

Front size	Film insert max. size	Height of letters h	Number of lines	Number of capital letters per line (target value)	Image
18 x 18 (15.3 x 15.3)	12.7 x 12.7	2.5	3	5	B2
		3.0	3	5	B2
		4.0	2	3	B2
		5.0	1	3	B2
18 x 24 horizontal position	12.7 x 18.9	2.5	3	8	B3
		3.0	3	8	B3
		4.0	2	5	B3
		5.0	1	5	B3
18 x 24 vertical position	12.7 x 18.9	2.5	5	5	B4
		3.0	4	5	B4
		4.0	3	3	B4
		5.0	2	3	B4
24 x 24	18.3 x 18.3	2.5	5	8	B1
		3.0	4	8	B1
		4.0	3	6	B1
		5.0	2	5	B1
Ø 18	Ø 12.7	2.5	2	5	B6
		3.0	2	5	B6
		4.0	1	3	B6
		5.0	1	2	B6
Ø 24	Ø 18.3	2.5	4	7	B5
		3.0	3	7	B5
		4.0	3	4	B5
		5.0	2	3	B5





**Suppressor circuits**

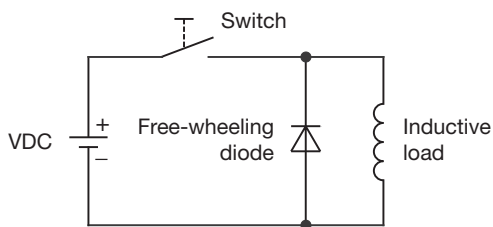
When switching inductive loads such as relays, DC motors, and DC solenoids, it is always important to absorb surges (e.g. with a diode) to protect the contacts. When these inductive loads are switched off, a counter emf can severely damage switch contacts and greatly shorten lifetime.

Fig. 1 shows an inductive load with a free-wheeling diode connected in parallel. This free-wheeling diode provides a path for the inductor current to flow when the current is interrupted by the switch. Without this free-wheeling diode, the voltage across the coil will be limited only by dielectric breakdown voltages of the circuit or parasitic elements of the coil. This voltage can be kilovolts in amplitude even when nominal circuit voltages are low (e.g. 12VDC) see Fig. 2.

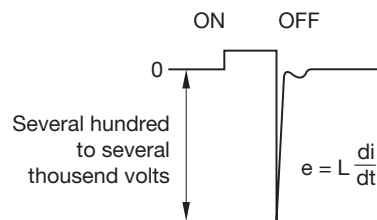
The free-wheeling diode should be chosen so that the reverse breakdown voltage is greater than the voltage driving the inductive load. The DC blocking voltage ( $V_R$ ) of the free-wheeling diode can be found in the datasheet of a diode. The forward current should be equal or greater than the maximum current flowing through the load.

**To get an efficient protection, the free-wheeling diode must be connected as close as possible to the inductive load!**

Switching with inductive load  
Fig. 1



Counter EMF  
over load without free-wheeling diode  
Fig. 2



## General notes

### Switch interlock systems do away with complicated protective and relay interlocks.

SWISSTAC switches with mounting depths of 55 mm can be combined into interlocking systems of up to 4 switches. The switches are mechanically interlocked. There are two types to choose from:

1. Switch interlock system with pushbutton
2. Switch interlock system with keylock switch

The distance separating switches in an interlock system can be increased in steps of 6 mm to 30 mm from a minimum of 18 mm

(between switch centre-lines). Irregular spacings and/or blanks in a system are also possible. No special cutouts in the fascia panel are required, as the hole patterns match the individual switches.

All switch interlock systems are supplied ready for mounting. Splash-proof versions are obtainable with bezels of Ø 24 mm or 24 x 24 mm. The interlock system withstands a pressure of at least 50 N.

## Variants of switch interlock system

### For each type of switch interlock system there is a choice of different variants:

#### Variant 1

Momentary action possible only with one pushbutton at a time, as the buttons are interactively blocked mechanically.

#### Variant 2

Maintained action of one pushbutton at a time. This blocks the other buttons mechanically and is only released by pressing the actuated pushbutton again.

#### Variant 3

Maintained action of one pushbutton at a time. If an other button is pressed, the first resets. One button is normally always "On".

#### Variant 4

Maintained action of one pushbutton at a time. If an other button is pressed, the first resets. The release button cancels the "On" condition.

#### Variant 5

Maintained action of one or more pushbuttons pressed simultaneously. If one or more buttons are operated simultaneously, the button or group of buttons pressed before are reset. Switching "Off" is done only with the release button.

#### Variant 6

Maintained action of one pushbutton at a time. Another button cannot be operated until the first has been reset with the release button. All buttons are then at "Zero".

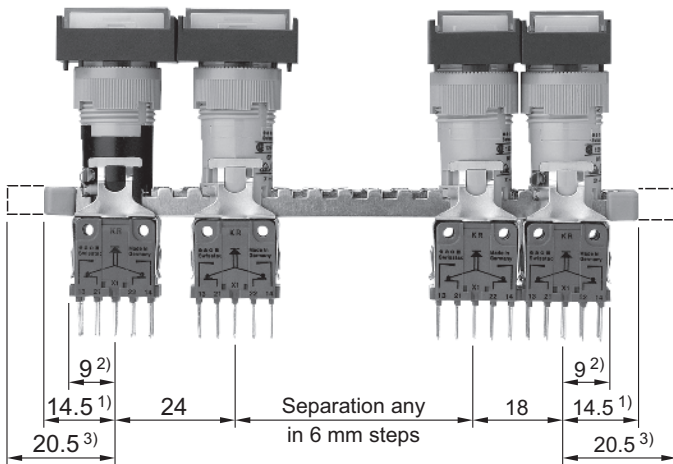
#### Variant 7

Maintained action of any one switch, which can also be operated one after the other. Actuated buttons can only be reset with the release button.

Action	Variant						
	1	2	3	4	5	6	7
latching		●	●	●	●	●	●
mutual mechanical release			●	●	●		
individual release by pressing again		●					
all released with release button				●	●	●	●
mutual mechanical blocking	●	●	●	●		●	

**Switch interlock system with pushbutton**

All dimensions in mm

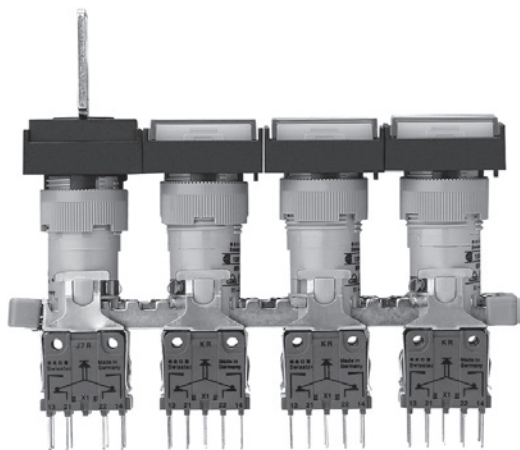


Centre line (CL) spacing		
1	for variants 1, 3–7	14.5 mm
2	for variants 1, 3–7	reduction to 9.0 mm at extra cost
3	for variant 2	at least 20.5 mm

**Standard switch interlock system with keylock switch**

Including keylock switches in a switch interlock system with mechanical blocking and release functions allows close supervision of the switches status, and restricts operation to authorized personal.

For dimensions, see Standard switch interlock system.  
All dimensions in mm



There is a choice of three types of switch interlock systems with keylock switch. They differ according to their function:

1	<b>Controls switching "On"</b> Possible with variants 3, 4, 6	Zero position: Unrestricted operation. Maintained action position: Resets actuated switches to zero position and the same time blocks all switches.
2	<b>Controls switching "Off"</b> Possible for variants 6, 7	Zero position: Switching "On" is possible. Momentary action position: Turning the keylock switch to the momentary action position resets the actuated switches to the zero position (keylock switch with momentary action mode replaces release button).
3	<b>Controls switching "On" and "Off"</b> Possible for variants 1–7	Zero position: Unrestricted operation. Maintained action position: Locks all switches at their present setting.

**Information for order**

The ordersheet you will find on the website  
[www.eao.com/downloads](http://www.eao.com/downloads)





